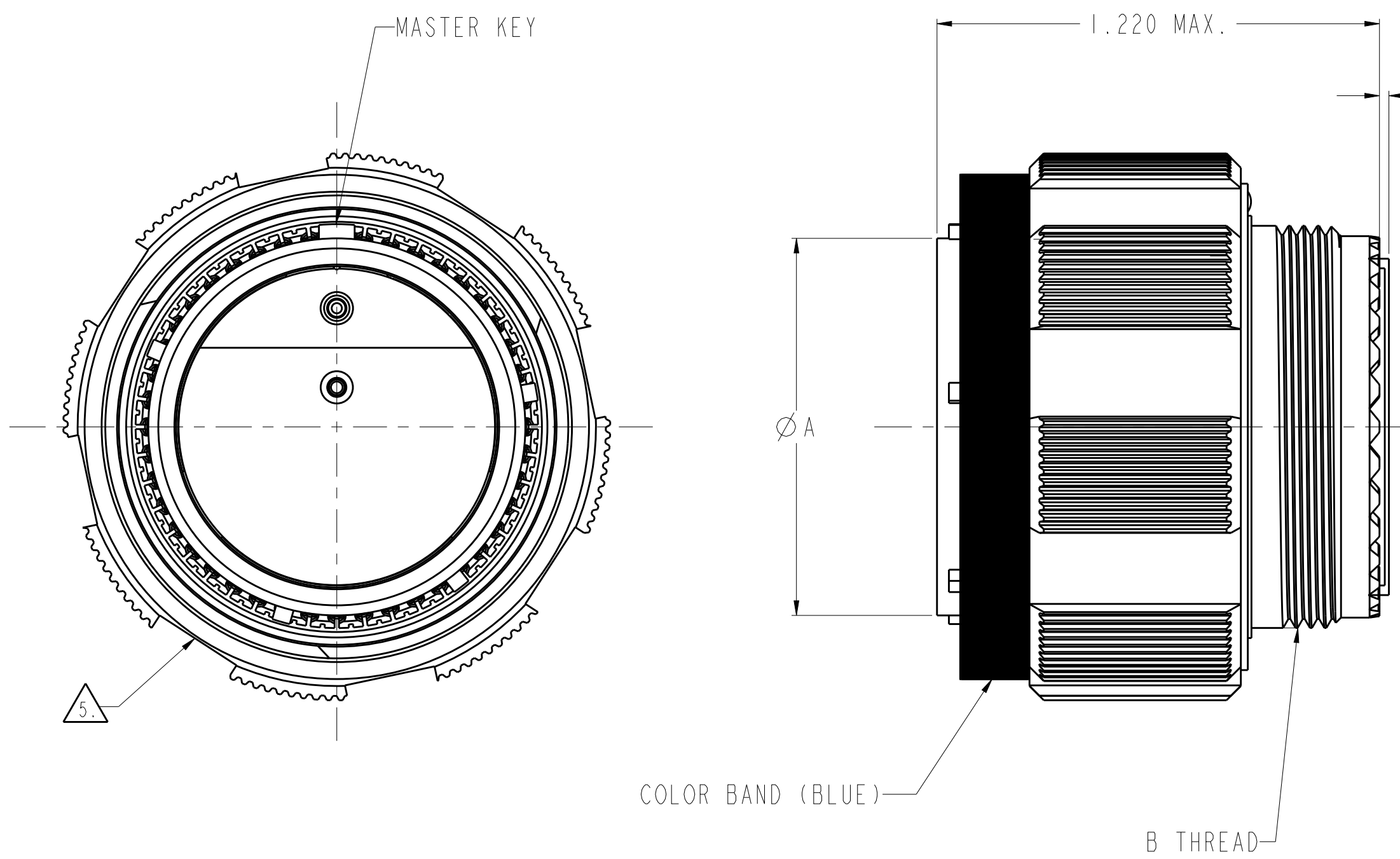


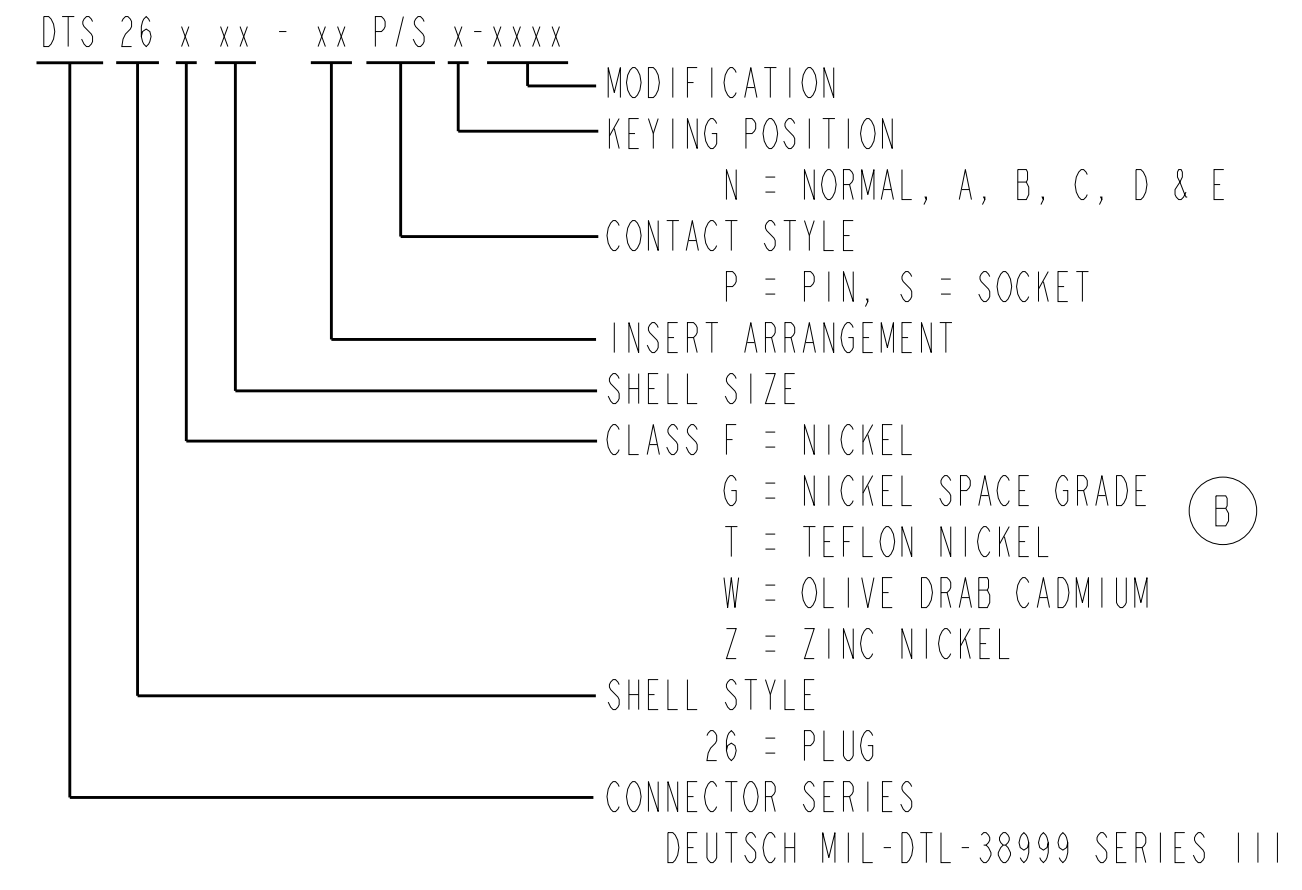
THIS DRAWING IS UNPUBLISHED. RELEASED FOR PUBLICATION 20  
 © COPYRIGHT 20 BY - ALL RIGHTS RESERVED.

**T.E. PROPRIETARY AND CONFIDENTIAL**  
 This drawing contains proprietary information that shall not be disclosed, duplicated nor used in whole or in part for any purpose other than to evaluate this drawing.

LOC		DIST		REVISIONS			
P	LTR	DESCRIPTION	DATE	DWN	APVD		
A		REVISED PER E.O. C8206	110510	-	RB		
B		UPDATED PER ECO-14-008850	140506	CB	EA		



EXAMPLE OF PART NUMBER



- ALL DIMENSIONS ARE IN INCHES UNLESS OTHERWISE SPECIFIED. THREAD CALLOUTS ARE METRIC.
- MATERIAL / FINISH: SHELL - ALUMINUM ALLOY/ SEE PART NUMBER EXAMPLE. COUPLING RING - ALUMINUM ALLOY/ SEE PART NUMBER EXAMPLE. RESILIENT INSERTS - SILICONE ELASTOMER. PLASTIC INSERTS - THERMOPLASTIC. CONTACTS - COPPER ALLOY/ GOLD PLATED.
- GENERAL SPECIFICATIONS: THIS CONNECTOR MEETS THE PERFORMANCE AND INTERMATEABILITY REQUIREMENTS OF MIL-DTL-38999, SERIES III.
- FOR APPLICABLE KEYING DIAGRAM, SEE MIL-DTL-38999. FOR INSERT ARRANGEMENTS, SEE MIL-STD-1560.
- FOUR FLATS FOR SHELL SIZES 9 - 17. EIGHT FLATS FOR SHELL SIZES 19 - 25.
- WHEN MOD -7070 IS SPECIFIED CONNECTORS WILL BE SUPPLIED WITH DEUSCHCOAT V PLATED CONTACTS AND AN ADDITIONAL WIRE SEALING GROMMET FOR ENHANCED PERFORMANCE.

PART NUMBER	SIZE	ØA MAX.	B THREAD
DTS26x09-xxP/Sx	09	.858	M12X1.0-6g 0.100R
DTS26x11-xxP/Sx	11	.984	M15X1.0-6g 0.100R
DTS26x13-xxP/Sx	13	1.157	M18X1.0-6g 0.100R
DTS26x15-xxP/Sx	15	1.279	M22X1.0-6g 0.100R
DTS26x17-xxP/Sx	17	1.405	M25X1.0-6g 0.100R
DTS26x19-xxP/Sx	19	1.515	M28X1.0-6g 0.100R
DTS26x21-xxP/Sx	21	1.641	M31X1.0-6g 0.100R
DTS26x23-xxP/Sx	23	1.768	M34X1.0-6g 0.100R
DTS26x25-xxP/Sx	25	1.889	M37X1.0-6g 0.100R

THIS DRAWING IS A CONTROLLED DOCUMENT.

DWN: E. ALAWNEH 070411  
 CHK: A. RASMUSSEN 070411  
 APVD: ALEX RENGIEO 110511

STE TE Connectivity

NAME: DTS PLUG ENVELOPE

SIZE: A2 CAGE CODE: - DRAWING NO: C-DTS26xxx-xxP/Sx RESTRICTED TO: -

MATERIAL: TBD TOLERANCES UNLESS OTHERWISE SPECIFIED:  
 0 PLC ±  
 1 PLC ±0.1  
 2 PLC ±0.01  
 3 PLC ±0.001  
 4 PLC ±0.0001  
 ANGLES ±  
 FINISH

Customer Drawing SCALE: 3.000 SHEET 1 OF 1 REV B