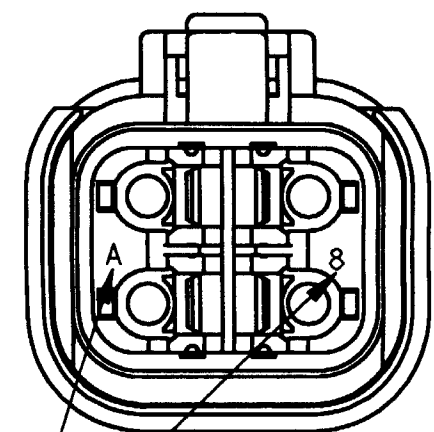
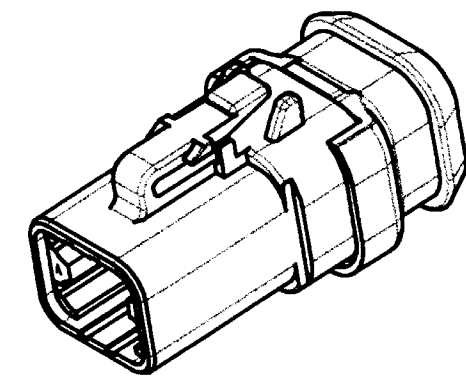
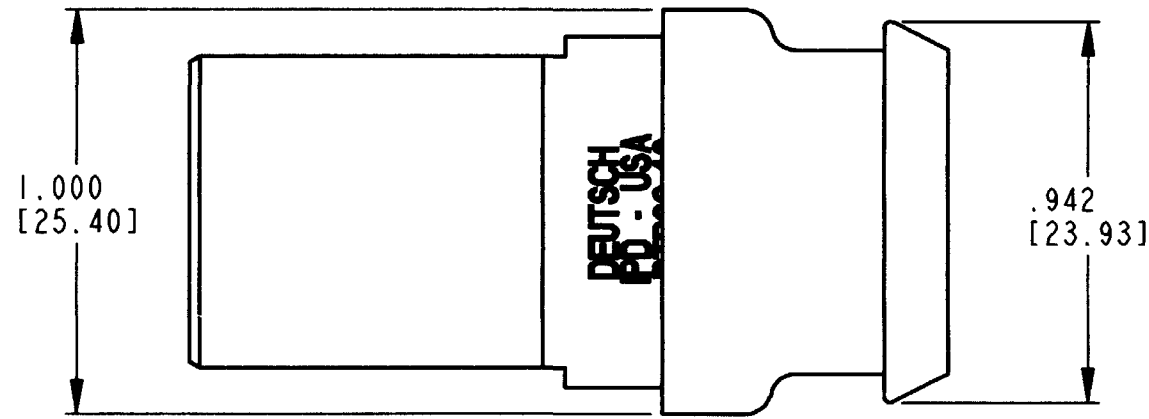
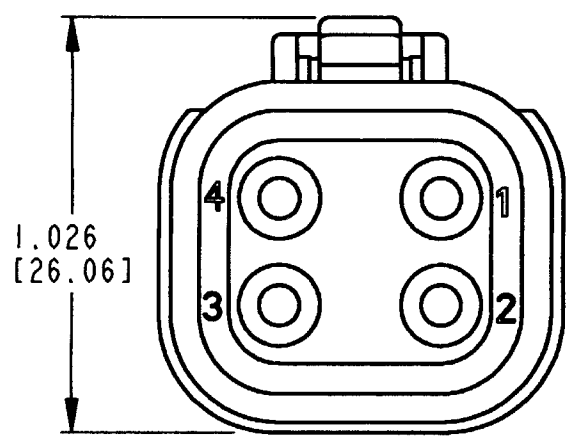
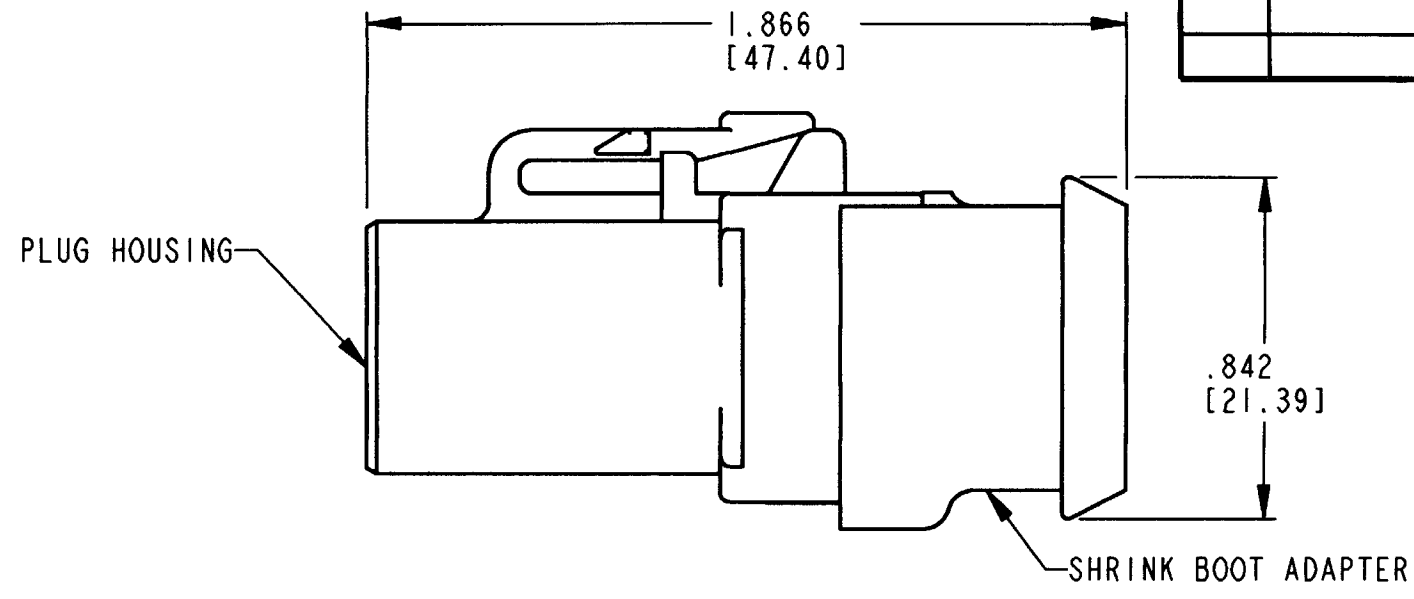


REV  
A DTP06-4S-EE01

REVISIONS			
SYM	DESCRIPTION	DATE	APPROVED
NC	NEW RELEASE PER E.O. P16485	01/18/00	J.N.
A	REVISED PER E.O. P16905	10/18/00	RDR



DATE CODE: MONTH IS REPRESENTED BY SEQUENTIAL ALPHA CHARACTERS. EX: A=JANUARY; YEAR IS REPRESENTED BY LAST NUMERICAL DIGIT. EX: 8=2008



3D VIEW

- 6. MATERIAL: HOUSING: PLASTIC; GROMMET: RUBBER
  - 5. THIS PLUG MATES WITH DTP04-4P-\*\*\*\* RECEPTACLE. (\*\*\*\* = ALL MODIFICATIONS)
  - 4. FOR CONTACT AND WIRE PERFORMANCE AND APPLICATION CHARACTERISTICS SEE ENVELOPE DRAWING 0425-015-0000.
  - 3. SECONDARY WEDGE LOCK SOLD SEPARATELY, WP-4S.
  - 2. DIMENSION TOLERANCE:  $\pm .025$  [.64].
  - 1. DIMENSIONS ARE IN INCHES [mm].
- NOTES: UNLESS OTHERWISE SPECIFIED

CONTACT SIZE	MIN. INSUL O.D.	MAX INSUL O.D.	WIRE RANGE [mm <sup>2</sup> ]	REF ONLY
12	.134 [3.40]	.170 [4.32]	12-14 AWG [3.0-2.0]	4

SIGNATURE & DATE	
DR	S. THEIS 1/4/00
CHK	S. THEIS 10-17-00
PE	S. THEIS 10/12/00
APPD	D. MEYER 10/12/00
SCALE	NONE

PLUG  
W/ SHRINK BOOT ADAPTER  
4 CONTACTS, SIZE 12  
COLOR: BLACK  
-EE01 MOD  
DTP SERIES  
ENVELOPE

CP	MTL. CODE
<b>The Deutsch Company</b> DEUTSCH I.P.D. 3850 INDUSTRIAL AVE. HEMET, CALIF. 92545	
<b>B</b>	<b>DTP06-4S-EE01</b>
DWG SIZE	CODE 11139 SHEET 1 OF 1