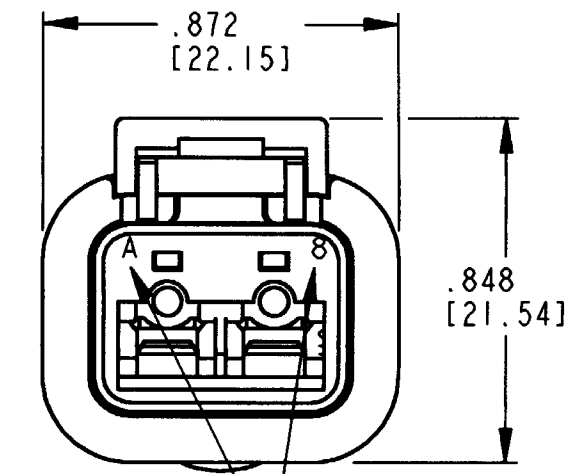
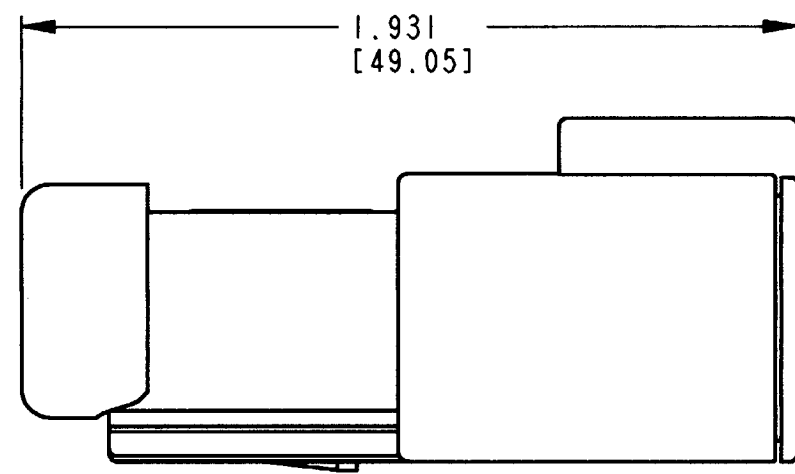
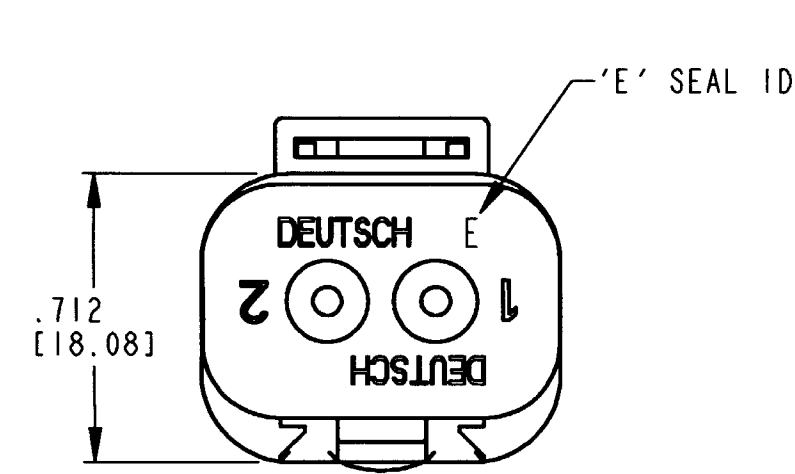


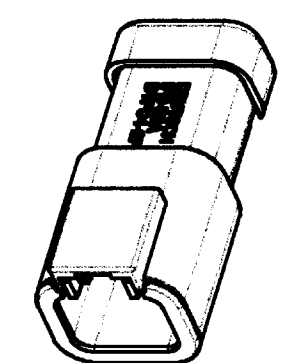
REV
A
DTP04-2P-CE01

| REVISIONS | | | |
|-----------|-----------------------------|---------|----------|
| SYM | DESCRIPTION | DATE | APPROVED |
| NC | NEW RELEASE PER E.O. PI7608 | 1/31/02 | RDR |
| A | REVISED PER E.O. PI8082 | 4-14-03 | RDR |
| | | | |



DATE CODE: MONTH IS REPRESENTED BY SEQUENTIAL ALPHA CHARACTERS. EX: A=JANUARY; YEAR IS REPRESENTED BY LAST NUMERICAL DIGIT. EX: 8=2008

- 6. MATERIAL: HOUSING/SLEEVE/END CAP: PLASTIC
GROMMET/SEAL: RUBBER
 - 5. THIS RECEPTACLE MATES WITH DTP06-2S-**** PLUG.
(**** = ALL MODIFICATIONS)
 - 4. FOR CONTACT AND WIRE PERFORMANCE AND APPLICATION CHARACTERISTICS SEE ENVELOPE DRAWING 0425-015-0000.
 - 3. SECONDARY WEDGE LOCK SOLD SEPARATELY, WP-2P.
 - 2. DIMENSION TOLERANCE: ±.025 [.64].
 - 1. DIMENSIONS ARE IN INCHES [mm].
- NOTES: UNLESS OTHERWISE SPECIFIED



| CONTACT SIZE | MIN. INSUL. O.D. | MAX INSUL. O.D. | WIRE RANGE [mm ²] REF ONLY | 4 |
|--------------|------------------|-----------------|--|---|
| 12 | .097 [2.46] | .158 [4.01] | 10-14 AWG [5.0-2.0] | |

| SIGNATURE & DATE | |
|------------------|----------------------------|
| DR | D. MEYER 01/25/02 |
| CHK | <i>[Signature]</i> 4/10/03 |
| PE | <i>[Signature]</i> 4/10/03 |
| APPD | <i>[Signature]</i> 4-14-03 |
| SCALE | NONE WT |

RECEPTACLE W/END CAP
2 CONTACTS, SIZE 12
COLOR: GREY; 'E' SEAL
-CE01 MOD
DTP SERIES
ENVELOPE

| | |
|---|-----------------------|
| CP | MATL. CODE |
| The Deutsch Company DEUTSCH I.P.D. 3850 INDUSTRIAL AVE. HEMET, CALIF. 92545 | |
| B | DTP04-2P-CE01 |
| DWG SIZE | CODE 11139 SHEET OF |