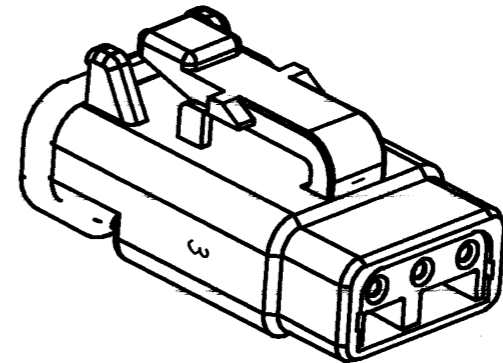
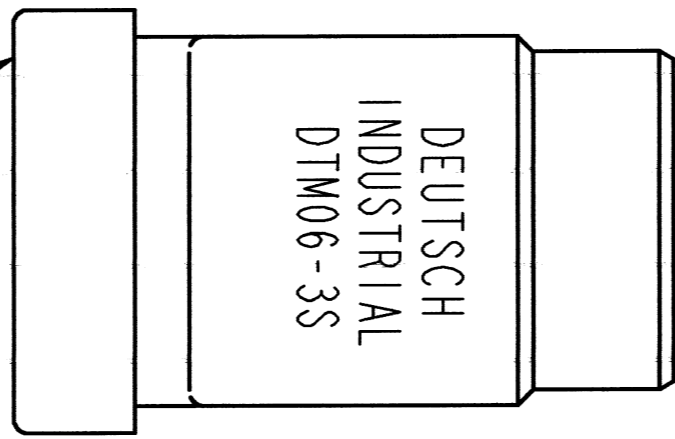
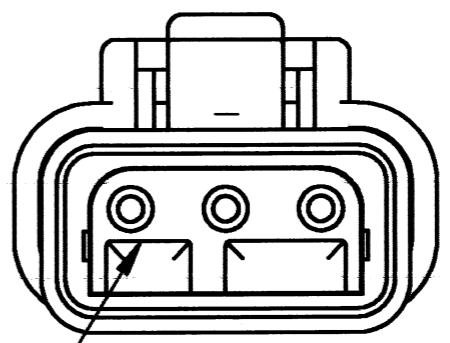
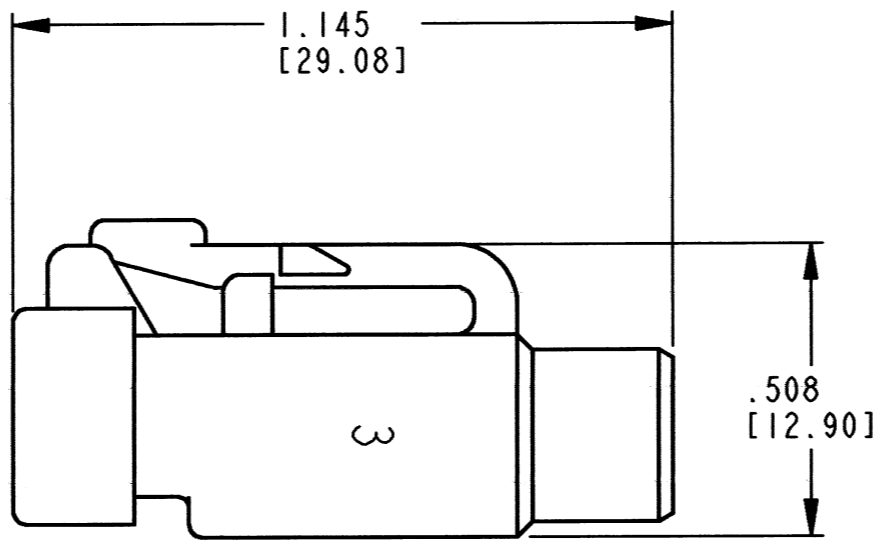
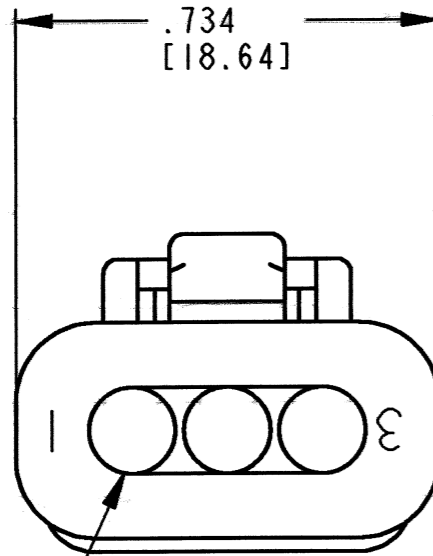


REV
NC
DTM06-3S-C017

REVISIONS			
SYM	DESCRIPTION	DATE	APPROVED
NC	NEW RELEASE PER E.O. P20369	12-28-09	RDR



5. BLOCKED GROMMET

5. WM-2S WEDGE LOCK

5. END CAP

5. PART MODIFICATION: BLOCKED GROMMET, WEDGE LOCK AND END CAP.

4. MATERIAL - HOUSING/ END CAP: PLASTIC (GREY); GROMMET: RUBBER

3. THIS PLUG MATES WITH DTM04-2P-XXXX RECEPTACLE. (XXXX = ALL MODIFICATIONS)

2. DIMENSION TOLERANCE: ±.025 [.64]


1. DIMENSIONS ARE IN INCHES [mm].

NOTES: UNLESS OTHERWISE SPECIFIED

SIGNATURE & DATE	
DR	R. MILLIGAN 11/11/09
CHK	<i>R. Byford</i> 12/23/09
PE	<i>R. Milligan</i> 11/17/09
APPD	<i>S. Beard</i> 11-25-09
SCALE	NONE
WT	---

**PLUG, END CAP,
BLOCKED CAVITIES
3 PIN
DTM SERIES
-C017 MOD**

ENVELOPE

EP 203	MATL. CODE
 3850 INDUSTRIAL AVE. HEMET, CA 92545	
DEUTSCH INDUSTRIAL	
B	DTM06-3S-C017
DWG SIZE	CODE 11139 SHEET OF