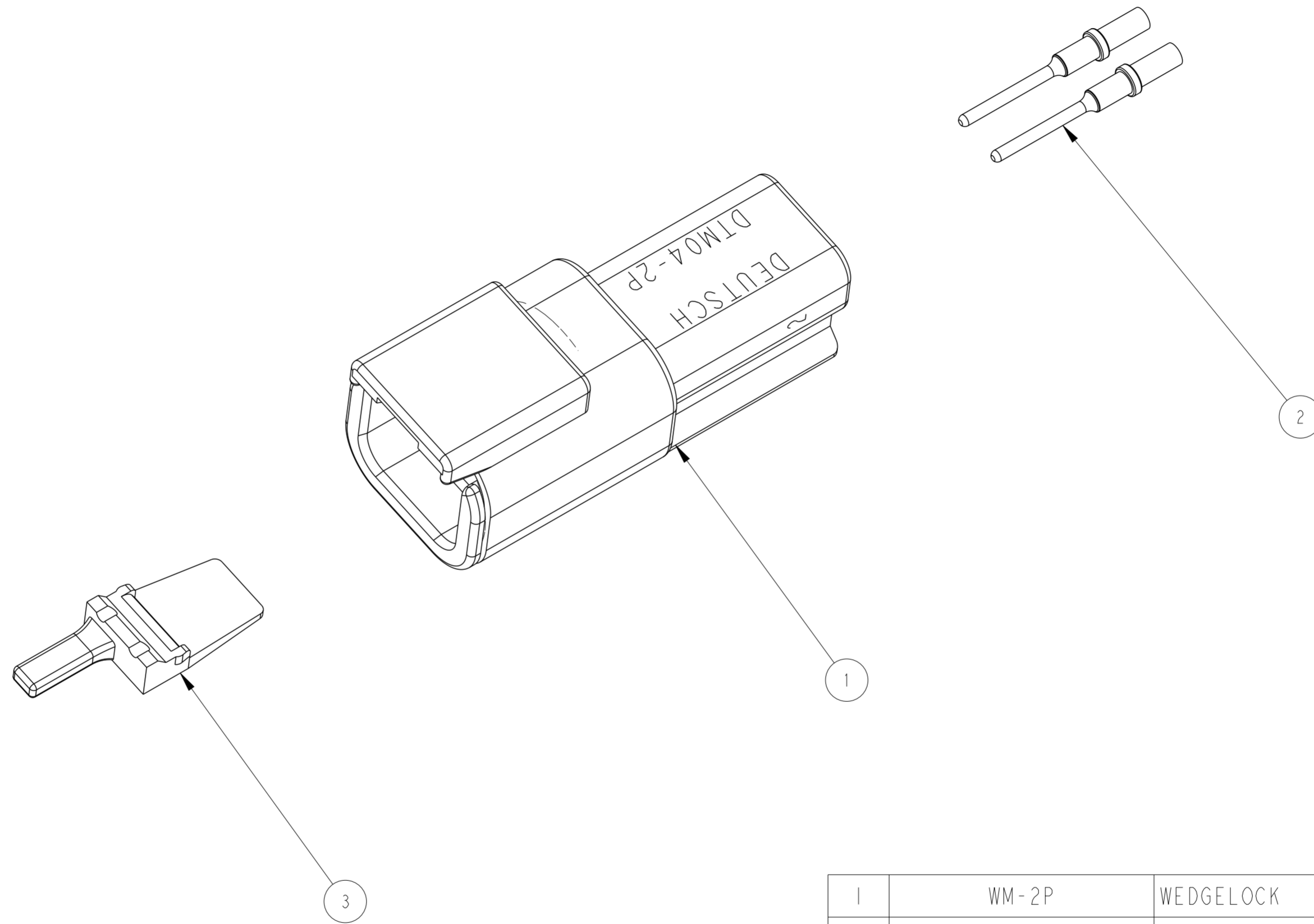


REVISIONS

P	LTR	DESCRIPTION	DATE	DWN	APVD
	A	INITIAL RELEASE	20MAR2020	AP	IG



QTY	PART NUMBER	DESCRIPTION	ITEM NO
1	WM-2P	WEDGELOCK	3
2	0460-202-20141	PIN, SOLID, SIZE 20, 20 AWG, NICKEL	2
1	DTM04-2P	DTM 2P RECEPTACLE ASSEMBLY	1
-	< REVISION OF EACH ASSY NO. (WHEN BLANK, USE DRAWING REVISION)		

3. APPLICATION SPECIFICATION: CONNECTOR: 114-151010
TERMINAL: 114-151004

2. PRODUCT SPECIFICATION: CONNECTOR: 108-151010
TERMINAL: 108-151004

1. WEDGELOCK, TERMINALS AND RECEPTACLE ASSEMBLY ARE SHIPPED UNASSEMBLED IN THE SAME BAG.

NOTES:

THIS DRAWING IS A CONTROLLED DOCUMENT.		DWN A POLO 20MAR2020	TE Connectivity		
DIMENSIONS: INCHES		CHK I GRANICHAROVA 20MAR2020			
TOLERANCES UNLESS OTHERWISE SPECIFIED:		APVD I GRANICHAROVA 20MAR2020			
0 PLC ±	1 PLC ±	PRODUCT SPEC 2	NAME DTM04-2P COMPLETE KIT W/ WEDGELOCK AND TERMINALS		
2 PLC ±	3 PLC ±.025	APPLICATION SPEC 3	SIZE A2	CAGE CODE 00779	DRAWING NO C=DTM04-2P-COMPLETE
4 PLC ±	ANGLES ±5°	MATERIAL FINISH	WEIGHT 5.99	RESTRICTED TO -	
CUSTOMER DRAWING			SCALE 3:1	SHEET 1 OF 1	REV A