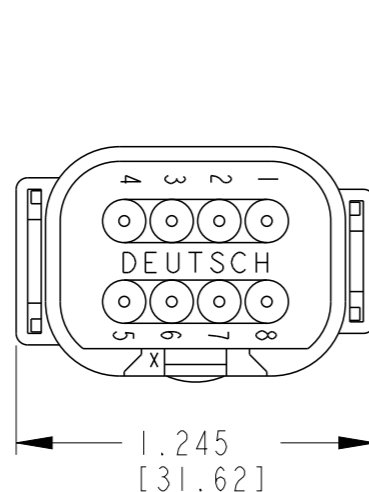
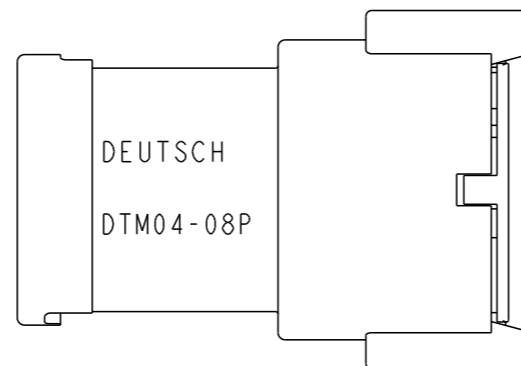
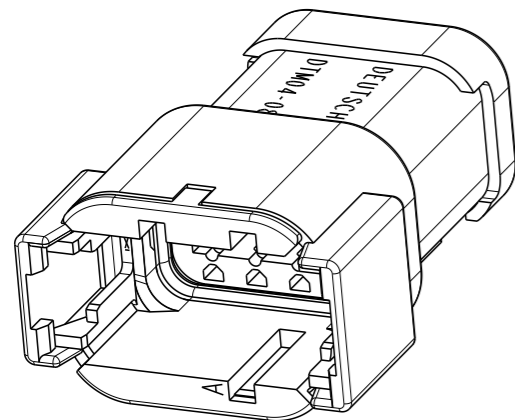
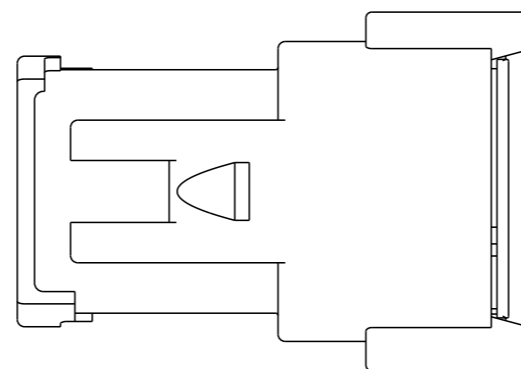
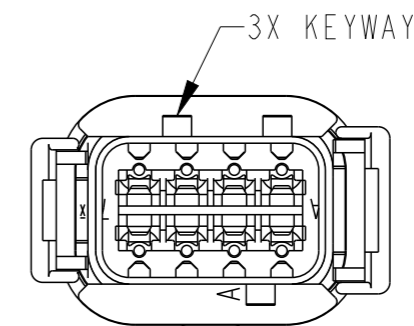
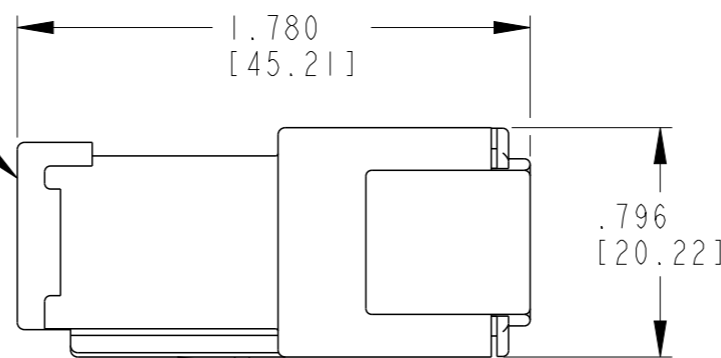


P	LTR	DESCRIPTION	DATE	DWN	APVD
NC		NEW RELEASE PER E.O. P17175	16MAR2001	DM	RDR
A		REVISED PER E.O. P19051	23SEP2005	DM	RDR
B		REVISED PER E.O. P19571	25JUL2007	DM	RDR
C		REVISED PER PCN E-20-002579	12MAY2020	MR	IG



8
END CAP



TE INTERNAL PN	DEUTSCH PN
DTM04-08PA-E003	DTM04-08PA-E003
DTM04-08PB-E003	DTM04-08PB-E003
DTM04-08PC-E003	DTM04-08PC-E003
DTM04-08PD-E003	DTM04-08PD-E003

CONTACT SIZE	MIN. INSUL. O.D.	MAX. INSUL. O.D.	WIRE RANGE [mm ²] REF ONLY
20	.053 [1.35]	.120 [3.05]	16-20 AWG [1.0-0.5]

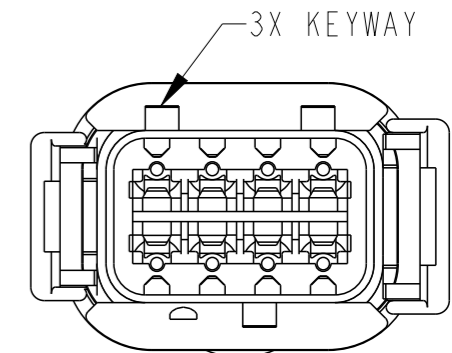
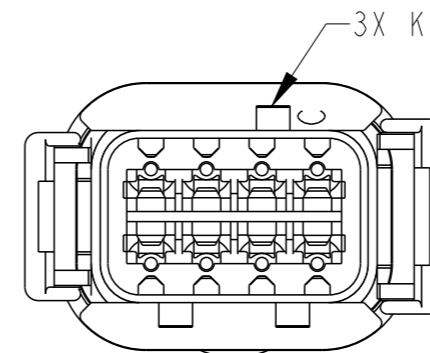
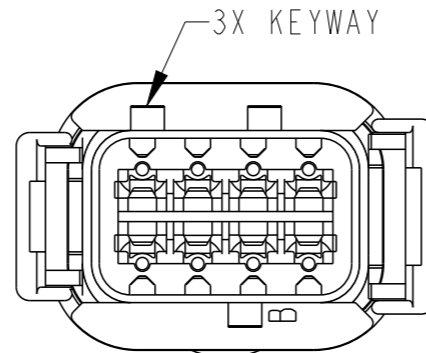
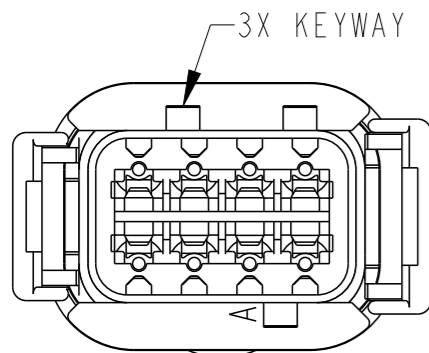
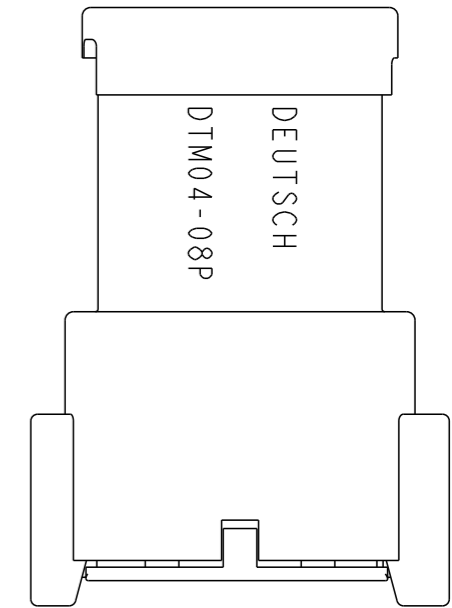
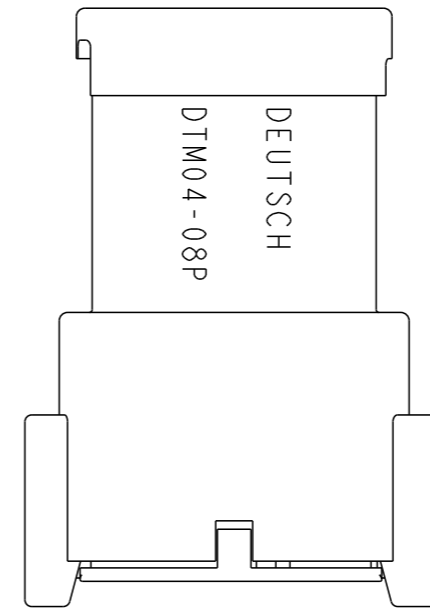
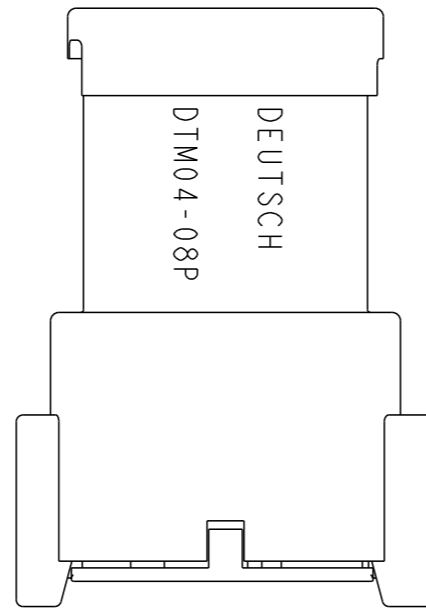
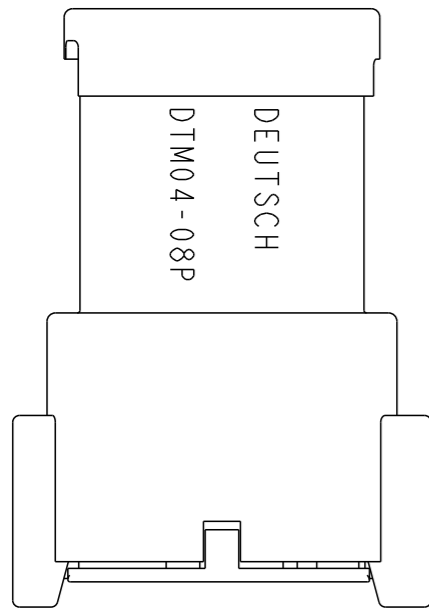
- 8 PART MODIFICATION.
- 7. SEE SHEET 2 FOR OTHER KEY ARRANGEMENTS.
- 6 MATERIAL - HOUSING/END CAP: PA66 GF15; GROMMET: VMQ.
- 5. THIS RECEPTACLE MATES WITH DTM06-08S*-**** PLUG. (* = A,B,C,D KEYS; **** = ALL MODIFICATIONS)
- 4 FOR CONTACT AND WIRE PERFORMANCE AND APPLICATION CHARACTERISTICS SEE ENVELOPE DRAWING 0425-015-0000.
- 3. SECONDARY WEDGE LOCK SOLD SEPARATELY: WM-8P.
- 2. DELETED.
- 1. DELETED.

UNLESS OTHERWISE SPECIFIED

THIS DRAWING IS A CONTROLLED DOCUMENT.		DWN D. MEYER 12MAR2020		
DIMENSIONS: INCHES [mm]		CHK B. BYFORD 25JUL2007		
TOLERANCES UNLESS OTHERWISE SPECIFIED:		APVD D. WHITACIE 25JUL2007	NAME RECEPTACLE 8 CONTACTS SIZE 20 DTM SERIES	
0 PLC ± 1 PLC ± 2 PLC ± 3 PLC ±.025 [0.64] 4 PLC ± ANGLES ±0°30'0''		PRODUCT SPEC 108-151010	RESTRICTED TO	
MATERIAL 6		FINISH N/A	APPLICATION SPEC 114-151010	SIZE A3
		WEIGHT 11 g	CAGE CODE 00779	DRAWING NO DTM04-08PX-E003
		CUSTOMER DRAWING	SCALE 2:1	SHEET 1 OF 2
				REV C

REVISIONS

P	LTR	DESCRIPTION	DATE	DWN	APVD
	-	SEE SHEET 1	-	-	-



DTM04-08PA-E003
KEY -A-
COLOR: GREY

DTM04-08PB-E003
KEY -B-
COLOR: BLACK

DTM04-08PC-E003
KEY -C-
COLOR: GREEN

DTM04-08PD-E003
KEY -D-
COLOR: BROWN

THIS DRAWING IS A CONTROLLED DOCUMENT.		DWN D. MEYER 12MAR2020																
DIMENSIONS: INCHES [mm]		CHK B. BYFORD 25JUL2007																
TOLERANCES UNLESS OTHERWISE SPECIFIED:		APVD D. WHITACIE 25JUL2007	NAME RECEPTACLE 8 CONTACTS SIZE 20 DTM SERIES															
<table border="0"> <tr><td>0 PLC</td><td>±</td></tr> <tr><td>1 PLC</td><td>±</td></tr> <tr><td>2 PLC</td><td>±</td></tr> <tr><td>3 PLC</td><td>±.025 [0.64]</td></tr> <tr><td>4 PLC</td><td>±</td></tr> <tr><td>ANGLES</td><td>±0° 30' 0''</td></tr> </table>		0 PLC	±	1 PLC	±	2 PLC	±	3 PLC	±.025 [0.64]	4 PLC	±	ANGLES	±0° 30' 0''	PRODUCT SPEC 108-151010	SIZE A3	CAGE CODE 00779	DRAWING NO DTM04-08PX-E003	RESTRICTED TO -
0 PLC	±																	
1 PLC	±																	
2 PLC	±																	
3 PLC	±.025 [0.64]																	
4 PLC	±																	
ANGLES	±0° 30' 0''																	
MATERIAL 6		FINISH N/A	APPLICATION SPEC 114-151010	WEIGHT 11 g	SCALE 2:1	SHEET 2 OF 2	REV C											
CUSTOMER DRAWING																		