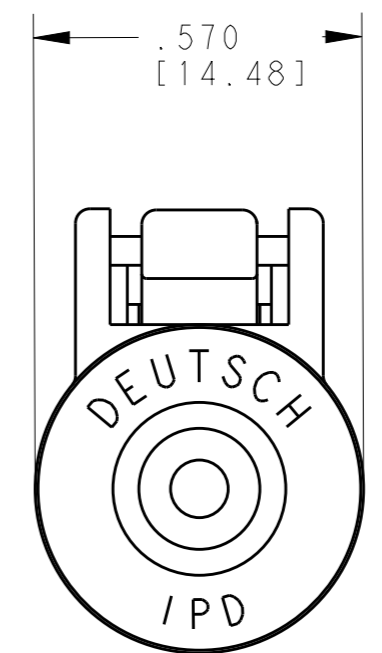
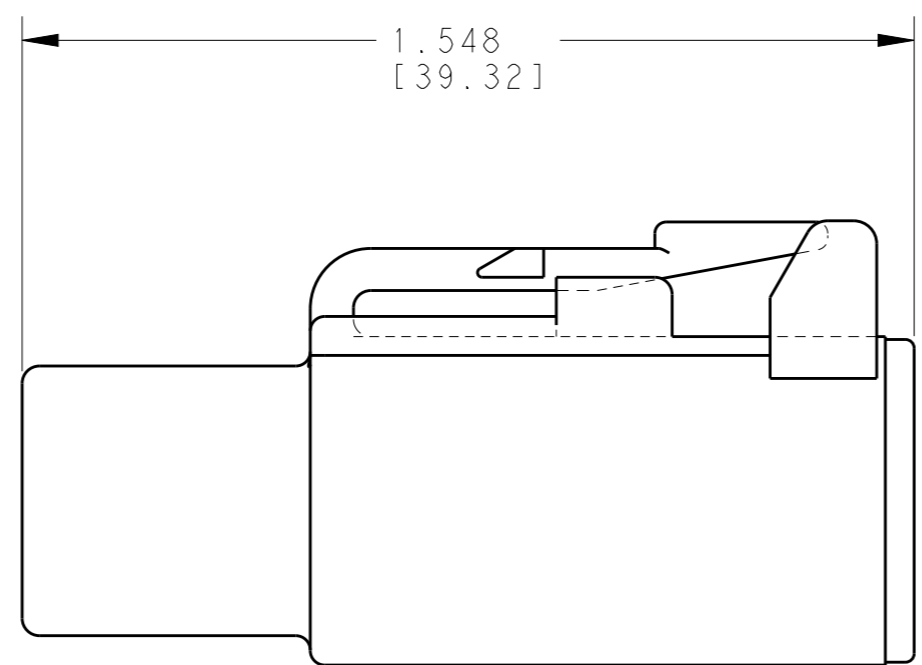
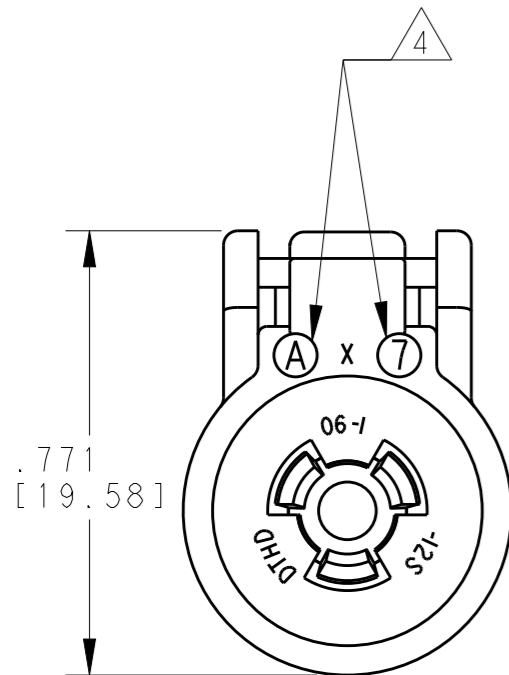


THIS DRAWING IS UNPUBLISHED
RELEASED FOR PUBLICATION 2018
© COPYRIGHT 2018 BY - TE CONNECTIVITY ALL RIGHTS RESERVED.

REVISIONS					
P	LTR	DESCRIPTION	DATE	DWN	APVD
	A	REVISED PER PCN E-18-015129	01OCT2018	SS	DM



4 DATE CODE: MONTH IS REPRESENTED BY SEQUENTIAL ALPHA CHARACTERS. EX: A = JANUARY. YEAR IS REPRESENTED BY LAST NUMERIC DIGIT. EX: 7 = 2007.

3 MATERIAL: PLUG: PEI (BLACK) ; WELD CAP: PEI (BLACK); INTERFACE SEAL: VMQ (RED-ORANGE)

2. THIS PLUG MATES WITH DTHD06-1-I2P-XXXX RECEPTACLE (XXXX = ALL MODIFICATIONS).

1. FOR CONTACT AND WIRE PERFORMANCE AND APPLICATION CHARACTERISTIC SEE CUSTOMER DRAWING 0425-015-0000.

NOTES: UNLESS OTHERWISE SPECIFIED.

	TE INTERNAL PN	DEUTSCH PN	
	1899842-1	DTHD06-1-12S-E003	
CONTACT SIZE	MIN. INSUL O.D.	MAX. INSUL O.D.	WIRE RANGE [mm ²] REF. ONLY
12	.134 [3.40]	.170 [4.32]	12-14 AWG [3.0-2.0]

THIS DRAWING IS A CONTROLLED DOCUMENT.		DWN J. NORRIS 06DEC1994	TE TE Connectivity	
DIMENSIONS: INCHES [mm]		CHK D. MEYER 06DEC1994		
TOLERANCES UNLESS OTHERWISE SPECIFIED:		APVD R. REED 06DEC1994	NAME PLUG POWER DT SIZE 12 HD CONTACTS-E003 MOD.	
0 PLC ±-		PRODUCT SPEC -	SIZE A3	
1 PLC ±-		APPLICATION SPEC -	CAGE CODE 4AFU8	DRAWING NO. DTHD06-1-12S-E003
2 PLC ±-		WEIGHT 6 g	RESTRICTED TO	
3 PLC ±.025 [0.64]		CUSTOMER DRAWING	SCALE 3:1	SHEET 1 OF 1
4 PLC ±-				REV A
ANGLES ±0°30'0"				
MATERIAL 3	FINISH -			