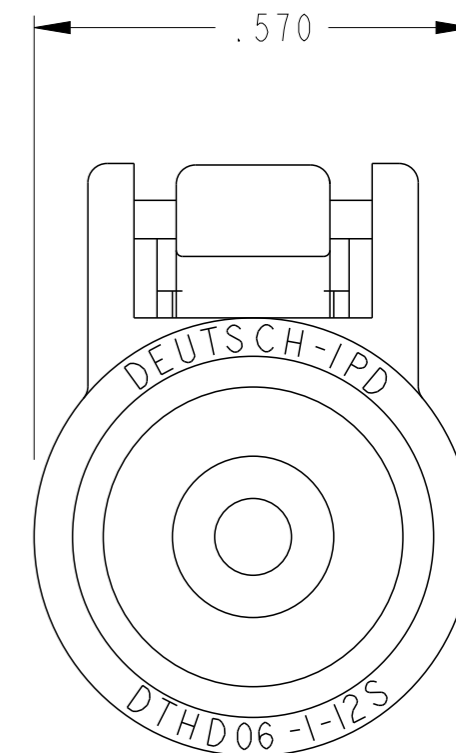
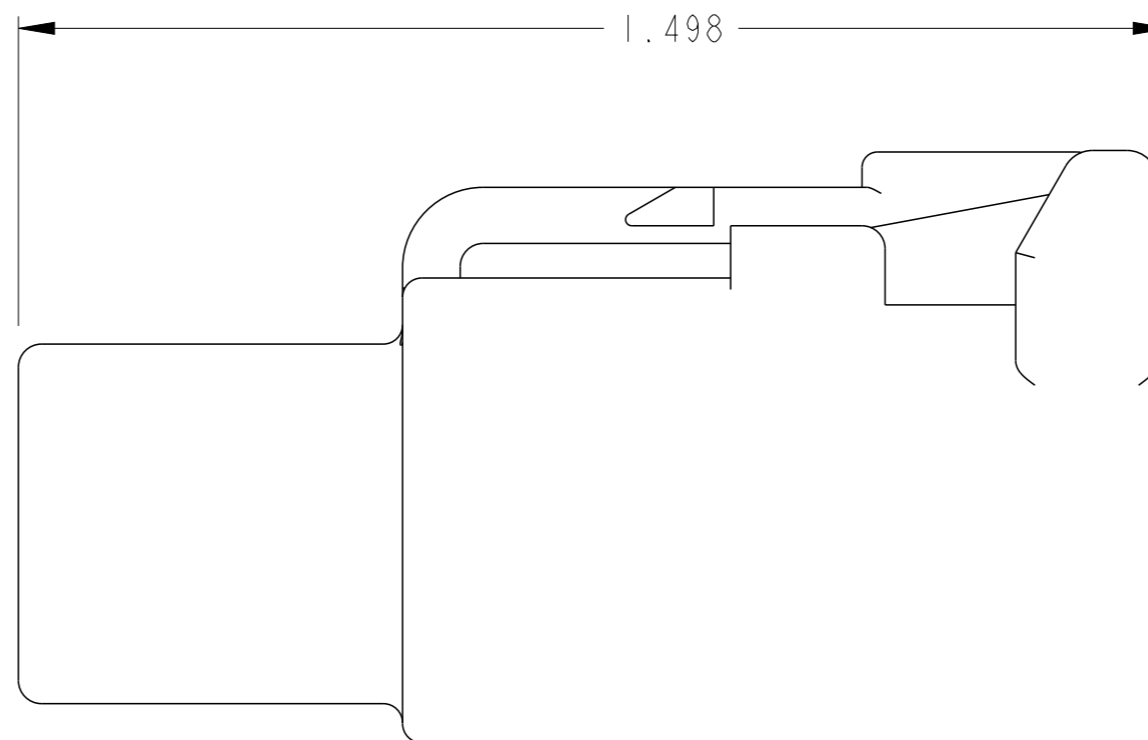
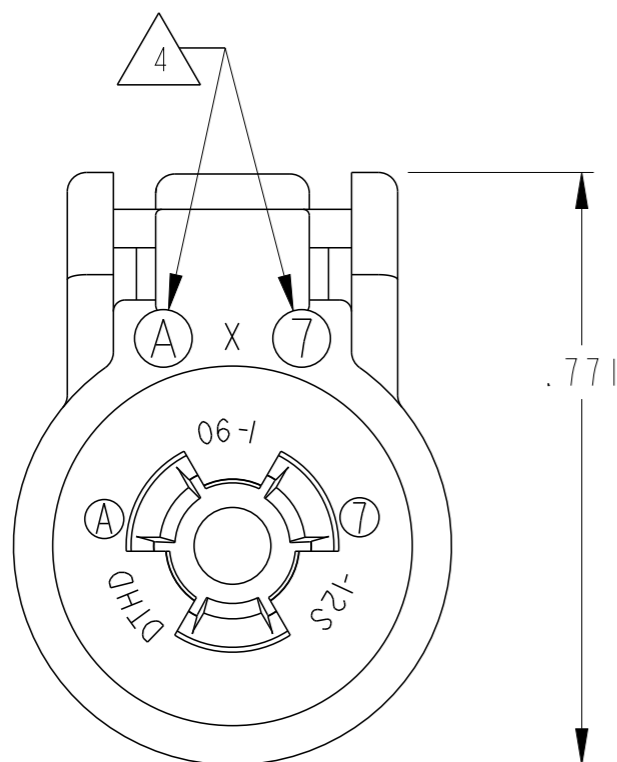
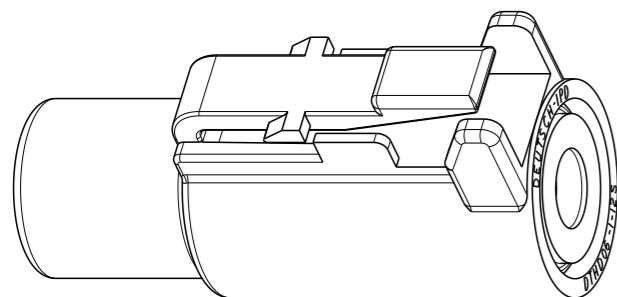


REVISIONS

P	LTR	DESCRIPTION	DATE	DWN	APVD
	A	REVISED PER E.O. P18604	06/21/04	-	DM
	A1	DRAWING UPDATED	12MAR2024	RK	CB



4 DATE CODE: MONTH IS REPRESENTED BY SEQUENTIAL ALPHA CHARACTERS. EX: A = JANUARY.
YEAR IS REPRESENTED BY LAST NUMERIC DIGIT. EX: 2 = 2002.

3 MATERIAL: HOUSING: PLASTIC, GROMMET: RUBBER.

2 THIS PLUG MATES WITH DTHD04-1-12P-XXXX RECEPTACLE.
(**** = ALL MODIFICATIONS)

1 FOR CONTACT AND WIRE PERFORMANCE AND APPLICATION CHARACTERISTIC
SEE ENVELOPE DRAWING 0425-015-0000.

NOTES: UNLESS OTHERWISE SPECIFIED.

WIRE INSULATION DIA		
CONTACT SIZE	MINIMUM O.D.	MAXIMUM O.D.
12	.134 [3.40]	.170 [4.32]

THIS DRAWING IS A CONTROLLED DOCUMENT.		DWN V. TOMSA	JUN-8-04	TE TE Connectivity	
DIMENSIONS: INCHES [mm]		CHK -	APVD -		
TOLERANCES UNLESS OTHERWISE SPECIFIED:		PRODUCT SPEC 108-151020		NAME PLUG #12 HD CONTACT DTHD SERIES COLOR BLACK	
0 PLC ±-		APPLICATION SPEC 114-151020		SIZE A3	RESTRICTED TO -
1 PLC ±-		WEIGHT -		CAGE CODE 00779	DRAWING NO DTHD06-1-12S
2 PLC ±-		CUSTOMER DRAWING; RESTRICTED CUSTOMER		SCALE 4:1	SHEET 1 OF 1
3 PLC ±.025 [.64]				REV A1	
4 PLC ±-					
ANGLES ±0°30'0"					
MATERIAL					
FINISH					