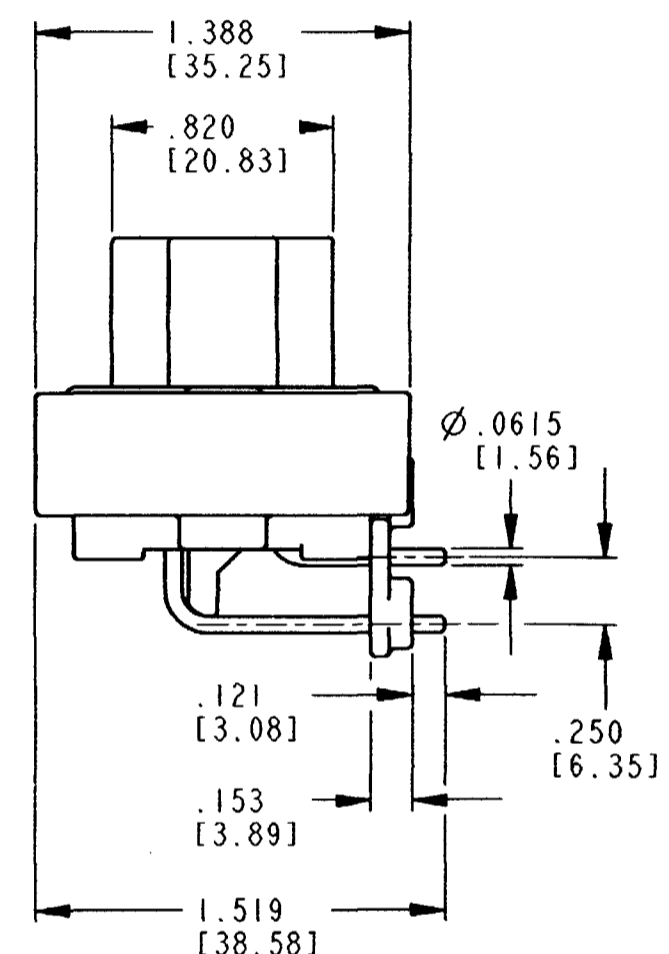
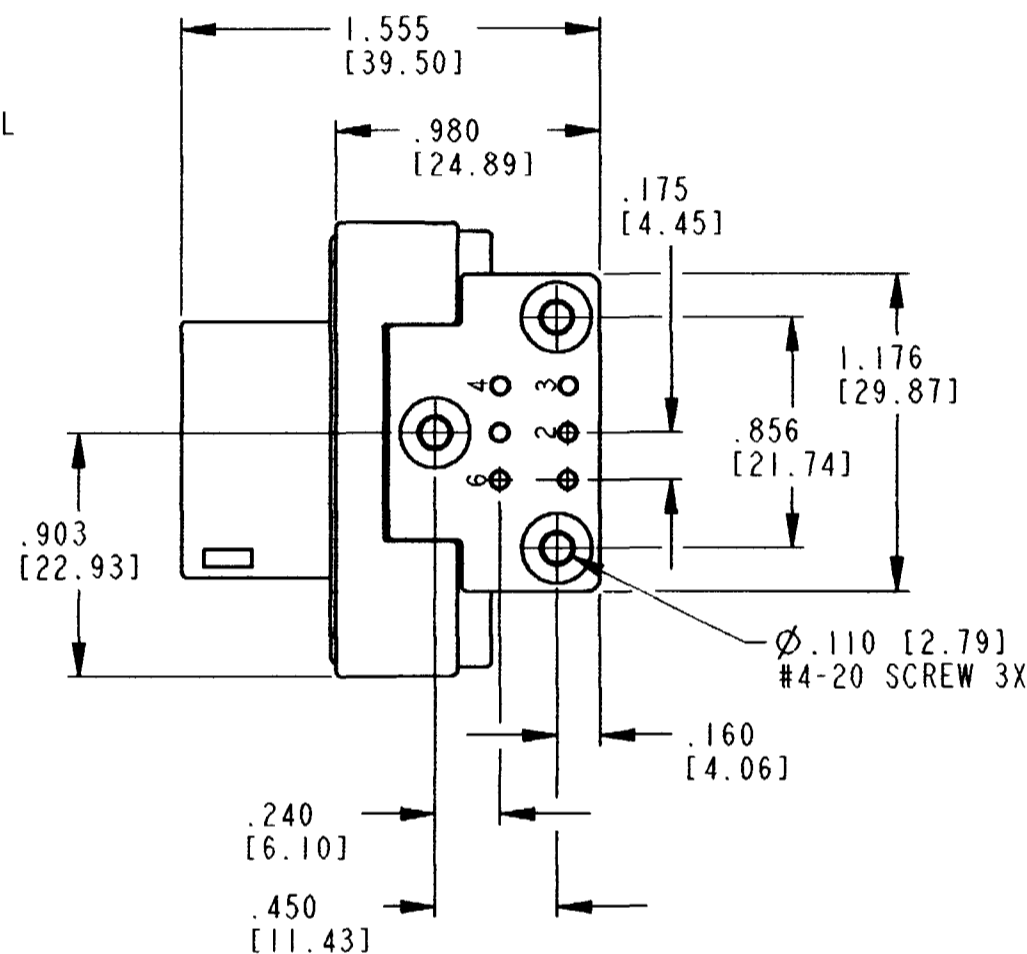
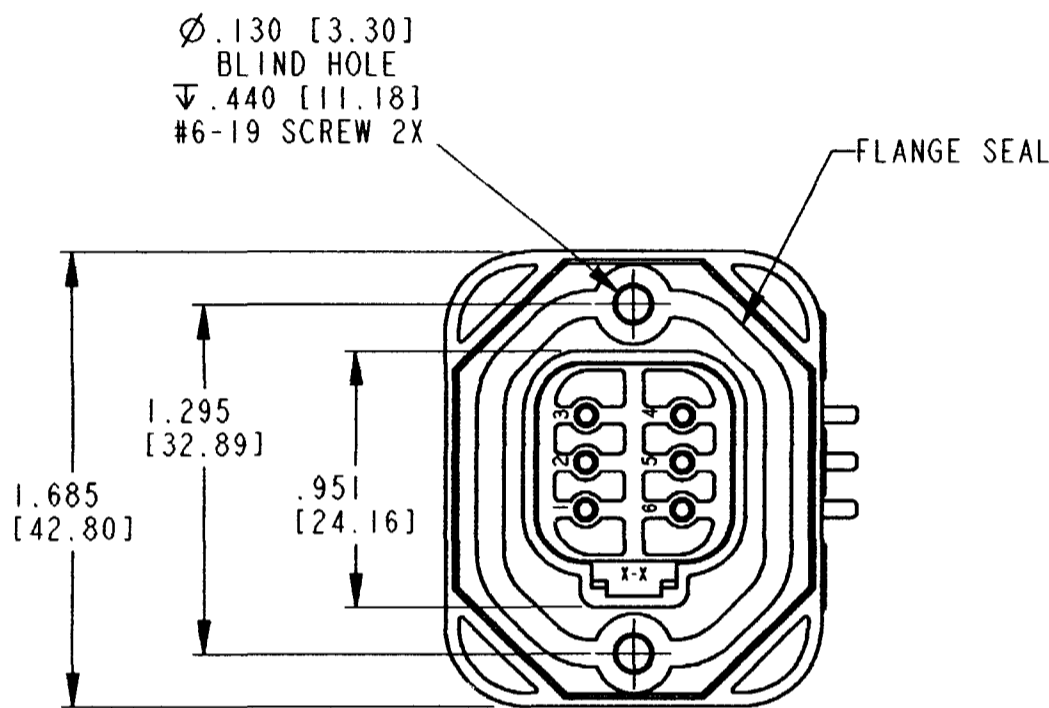


REV  
A DT13-6P-G003

REVISIONS			
SYM	DESCRIPTION	DATE	APPROVED
NC	NEW RELEASE PER E.O. P17348	9/24/01	R.D.R.
A	REVISED PER E.O. P19404	11-20-06	RDR



6. MOUNTING SCREW TORQUE VALUES ARE AS FOLLOWS:  
 #6-19 SCREWS:  $13 \pm 2.0$  IN-LB [ $1.47 \pm 0.23$  N-M].  
 #4-20 SCREWS:  $8 \pm 2.0$  IN-LB [ $.90 \pm 0.23$  N-M].  
 VALUES VALID FOR PLASTITE 48 SCREWS ONLY.

- 5. RECOMMENDED MOUNTING SCREWS (NOT INCLUDED): CAMCAR PLASTITE 48.
- 4. THIS RECEPTACLE MATES WITH DT06-6S PLUG -\*\*\*\*- ALL MODIFICATIONS.
- 3. SHELL MATERIAL: PLASTIC; FLANGE SEAL MATERIAL: RUBBER.
- 2. DIMENSION TOLERANCE  $\pm .025$  [ .64]. FOR PANEL CUTOUTS  $\pm .010$  [ .25].

NOTES: 1. DIMENSIONS SHOWN IN INCHES [mm].

SIGNATURE & DATE	
DR	P. BURKE 09/21/01
CHK	[Signature] 11/20/06
PE	[Signature] 11/15/06
APPD	[Signature] 11-20-06
SCALE	NONE WT

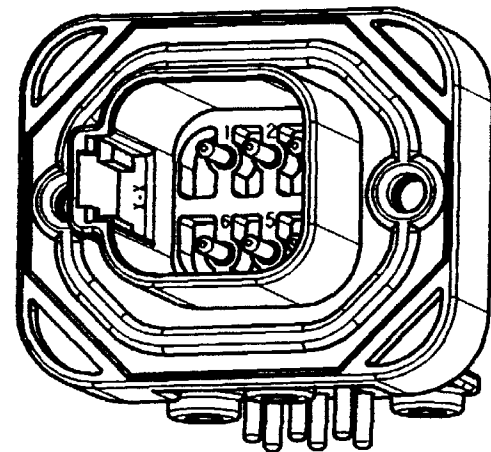
**PCB MOUNT RECEPTACLE**  
**6 PIN - 90**  
**-G003 MOD**  
**DT SERIES**  
**COLOR: GRAY**

ENVELOPE

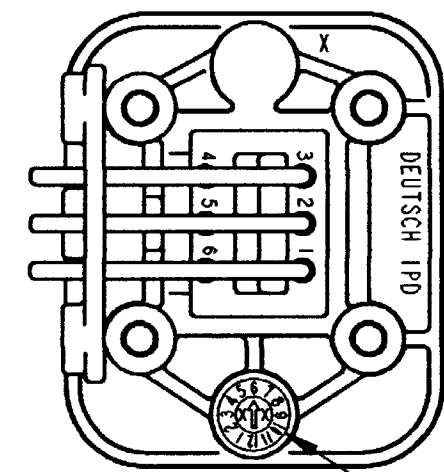
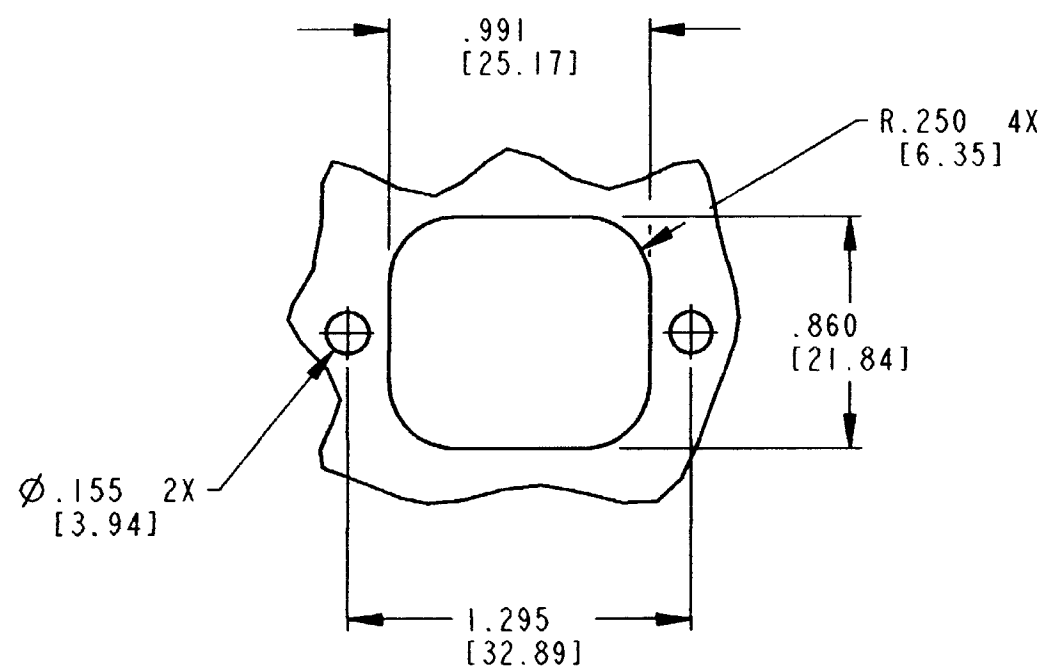
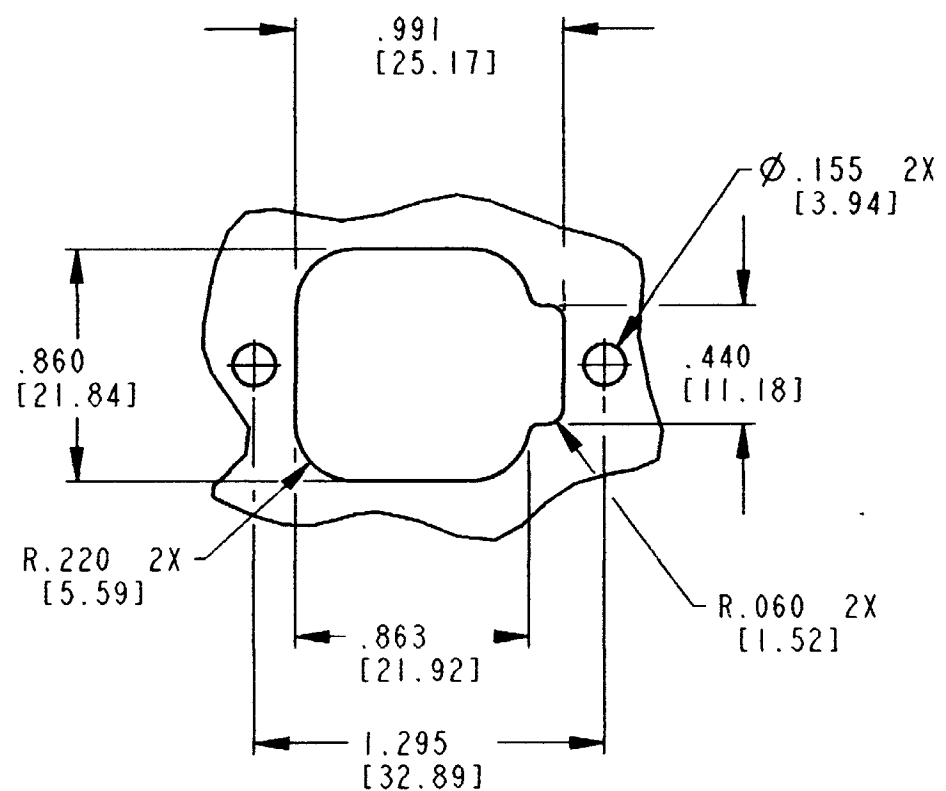
EP	MATL. CODE
The Deutsch Company DEUTSCH I.P.D. 3850 INDUSTRIAL AVE. HEMET, CALIF. 92545	
<b>B</b>	<b>DT13-6P-G003</b>
DWG SIZE	CODE 11139 SHEET 1 OF 2

REV  
A DT13-6P-G003

REVISIONS			
SYM	DESCRIPTION	DATE	APPROVED
A	SEE SHEET ONE	11-20-06	RDR



3D VIEW



DATE CODE

RECOMMENDED PANEL CUTOUTS

NOTES:

SIGNATURE & DATE	
DR	P. BURKE 9/21/01
CHK	B. Baker 11/13/06
PE	K. Anderson 11/7/06
APPD	S. Blawie 11-8-06
SCALE	NONE WT

PCB MOUNT RECEPTACLE  
6 PIN - 90  
-G003 MOD  
DT SERIES  
COLOR: GRAY

ENVELOPE

EP	MATL. CODE
The Deutsch Company	DEUTSCH I.P.D. 3850 INDUSTRIAL AVE. HEMET, CALIF. 92545
<b>B</b> DT13-6P-G003	
DWG SIZE	CODE 11139 SHEET 2 OF 2