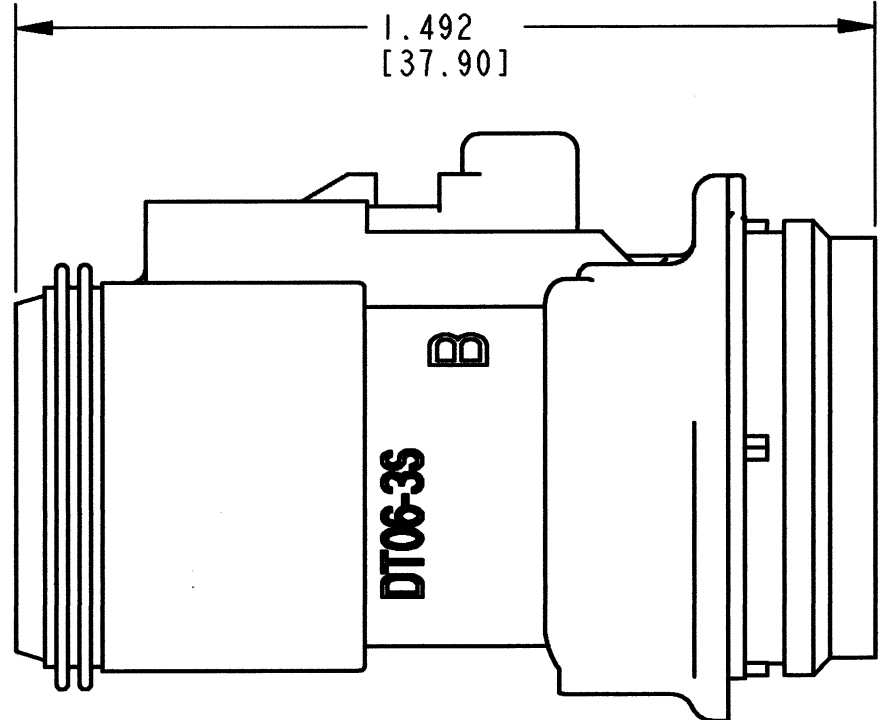
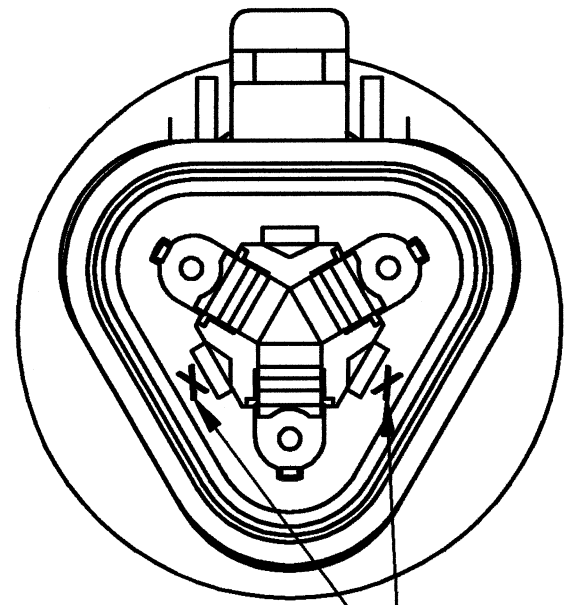
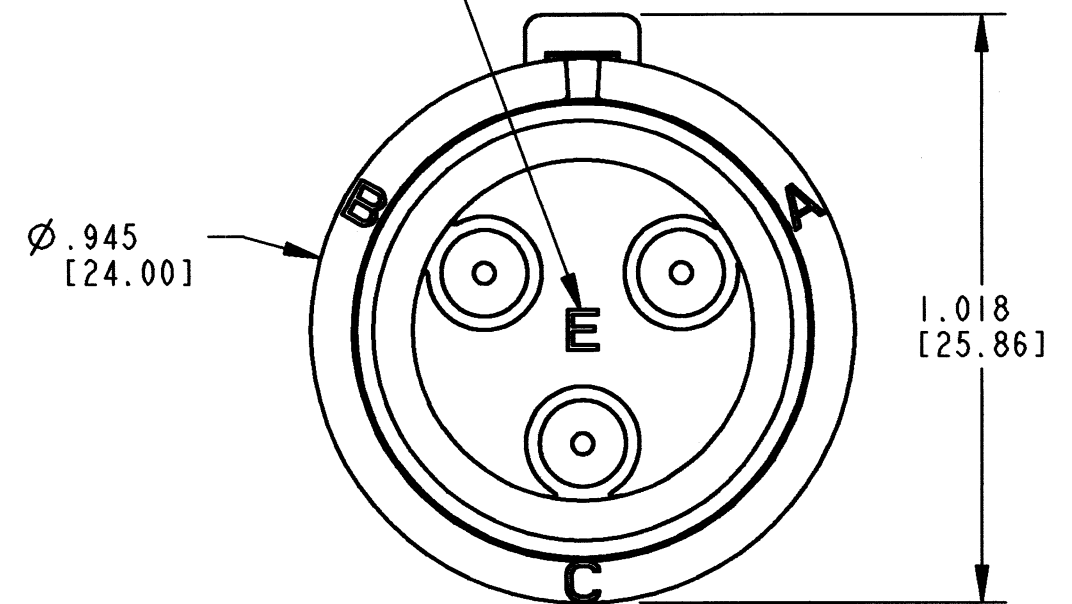


REV
A
DT06-3S-LC01

REVISIONS			
SYM	DESCRIPTION	DATE	APPROVED
NC	NEW RELEASE PER E.O. PI9989	10/23/08	R.D.R.
A	REVISED PER E.O. P20746	1-10-11	<i>RDR</i>



-E- SYMBOL DESIGNATES REDUCED DIAMETER WIRE SEAL



DATE CODE: YEAR TO BE REPRESENTED BY LAST NUMERICAL DIGIT, EX: 0 = 2010.
MONTH USES SEQUENTIAL ALPHA CHARACTERS, EX: A = JANUARY.

- 5. MATERIAL - SHELL: PLASTIC; COLOR: BLACK
SEAL: RUBBER
- 4. THIS PLUG MATES WITH THE DT04-3P-**** RECEPTACLE (**** = ALL MODIFICATIONS).
CONSULT FACTORY FOR MODIFICATIONS.
- 3. FOR CONTACT AND WIRE PERFORMANCE AND APPLICATION CHARACTERISTICS
SEE ENVELOPE DRAWINGS 0425-015-0000 AND 0425-017-0000.
- 2. ALL DIMENSIONS ARE ±.025 [0.63] UNLESS OTHERWISE SPECIFIED.
- 1. ALL DIMENSIONS ARE IN INCHES [MILLIMETERS].


CONTACT SIZE	MIN. INSUL. O.D.	MAX. INSUL. O.D.	WIRE RANGE [mm ²]
16	.053 [1.35]	.120 [3.05]	14-20 AWG [2.0-0.5]

NOTES:

SIGNATURE & DATE	
DR	<i>R. Messenger</i> 8/27/08
CHK	<i>B. Beard</i> 1/10/2011
PE	<i>R. Messenger</i> 12/24/10
APPD	<i>S. Beard</i> 12-24-10
SCALE	NONE WT _____

3 WAY PLUG
DIN BACKSHELL ADAPTER
E-SEAL, SEAL RETENTION
COLOR: BLACK
DT SERIES

ENVELOPE

EP	MATL. CODE
 3850 INDUSTRIAL AVE. HEMET, CA 92545	
B	DT06-3S-LC01
DWG SIZE	CODE 11139 SHEET OF