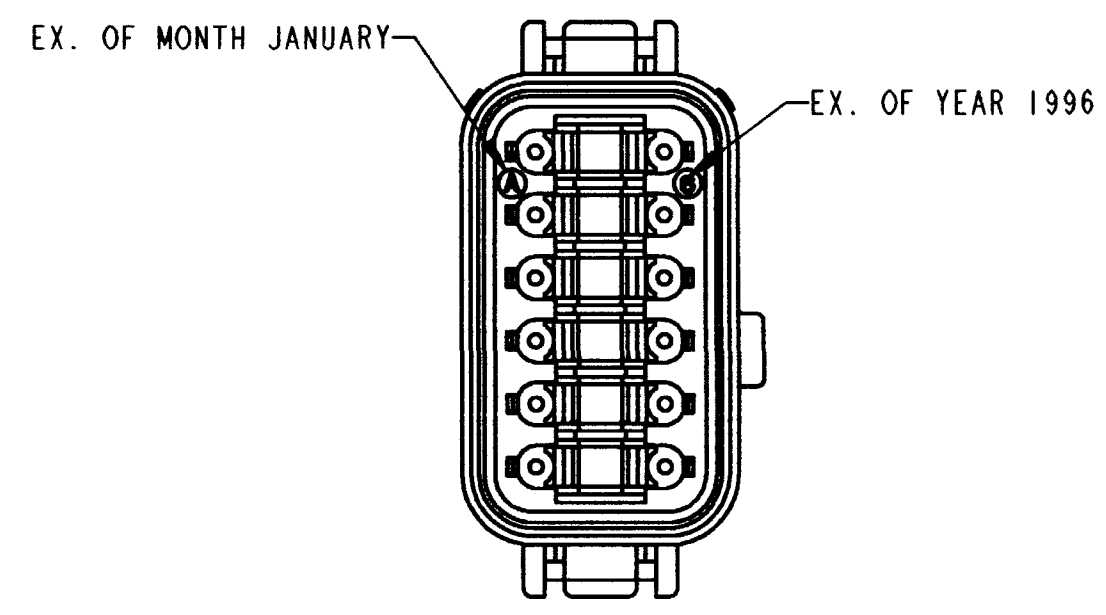


3-DIMENSIONAL VIEW

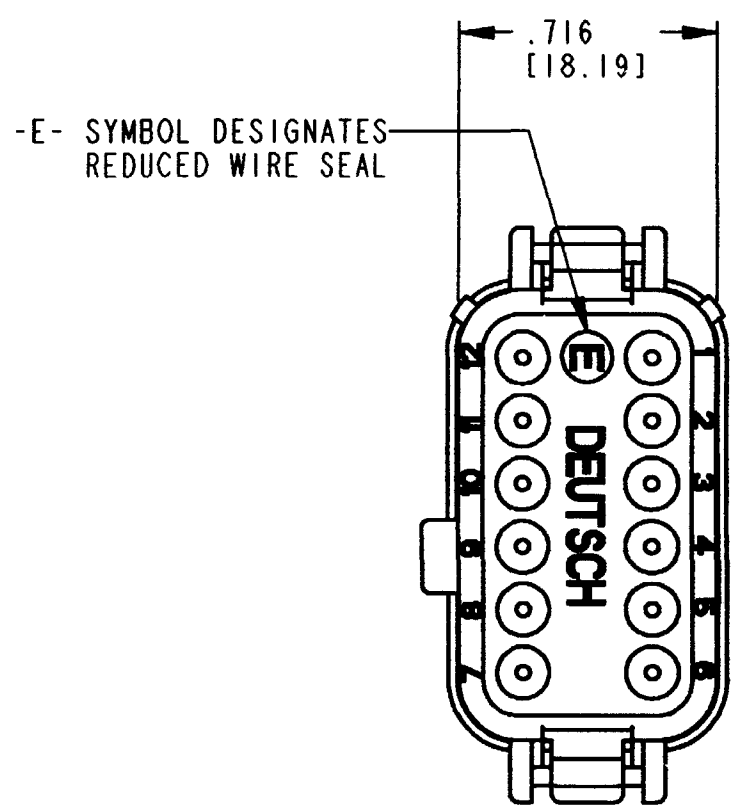
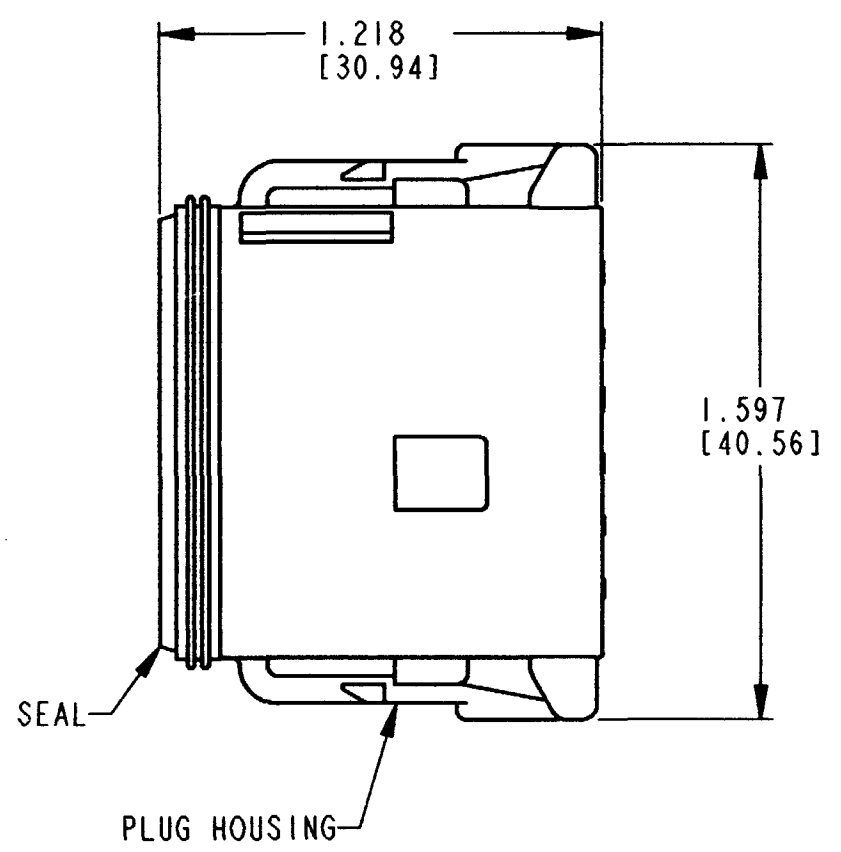


DATE LEGEND
 YEARS TO BE REPRESENTED BY LAST NUMERICAL DIGIT
 MONTH USES SEQUENTIAL ALPHA CHARACTERS, EX: A= JANUARY ...

- 5. MATERIAL: SHELL: PLASTIC
SEAL: RUBBER
 - 4. THIS PLUG MATES WITH THE DT04-12PB-**** RECEPTACLE (**** = ALL MODIFICATIONS).
CONSULT FACTORY FOR MODIFICATIONS.
 - 3. FOR CONTACTS AND WIRE PERFORMANCE AND APPLICATION CHARACTERISTICS
SEE ENVELOPE DRAWING 0425-015-0000 AND 0425-017-0000.
 - 2. DIMENSIONS ARE ±.025[0.63] UNLESS OTHERWISE SPECIFIED.
 - 1. DIMENSIONS ARE IN INCHES [MILLIMETERS].
- NOTES:

REV
A DT06-12SB-CE06

REVISIONS			
SYM	DESCRIPTION	DATE	APPROVED
NC	NEW RELEASE PER E.O. P16570	3/7/00	D.M.
A	REVISED PER E.O. P19020	9-6-05	ROR



CONTACT SIZE	MIN. INSUL O.D.	MAX. INSUL O.D.	WIRE RANGE [mm ²] REF ONLY
16	.053 [1.35]	.120 [3.05]	14-20 AWG [2.0-0.5]

SIGNATURE & DATE	
DR	S. THEIS 3/1/00
CHK	<i>J. C. Gentry</i> 9/1/05
PE	<i>John H. ...</i> 9/1/05
APPD	<i>S. Brand</i> 9-1-05
SCALE	NONE
WT	---

12 WAY PLUG
 -CE06 MOD.
 -B- KEY
 COLOR: BLACK
 DT SERIES

ENVELOPE

CP

The Deutsch Company
 DEUTSCH I.P.D.
 3850 INDUSTRIAL AVE.
 HEMET, CALIF. 92545

B DT06-12SB-CE06

DWG SIZE: 11139 SHEET 1 OF 1