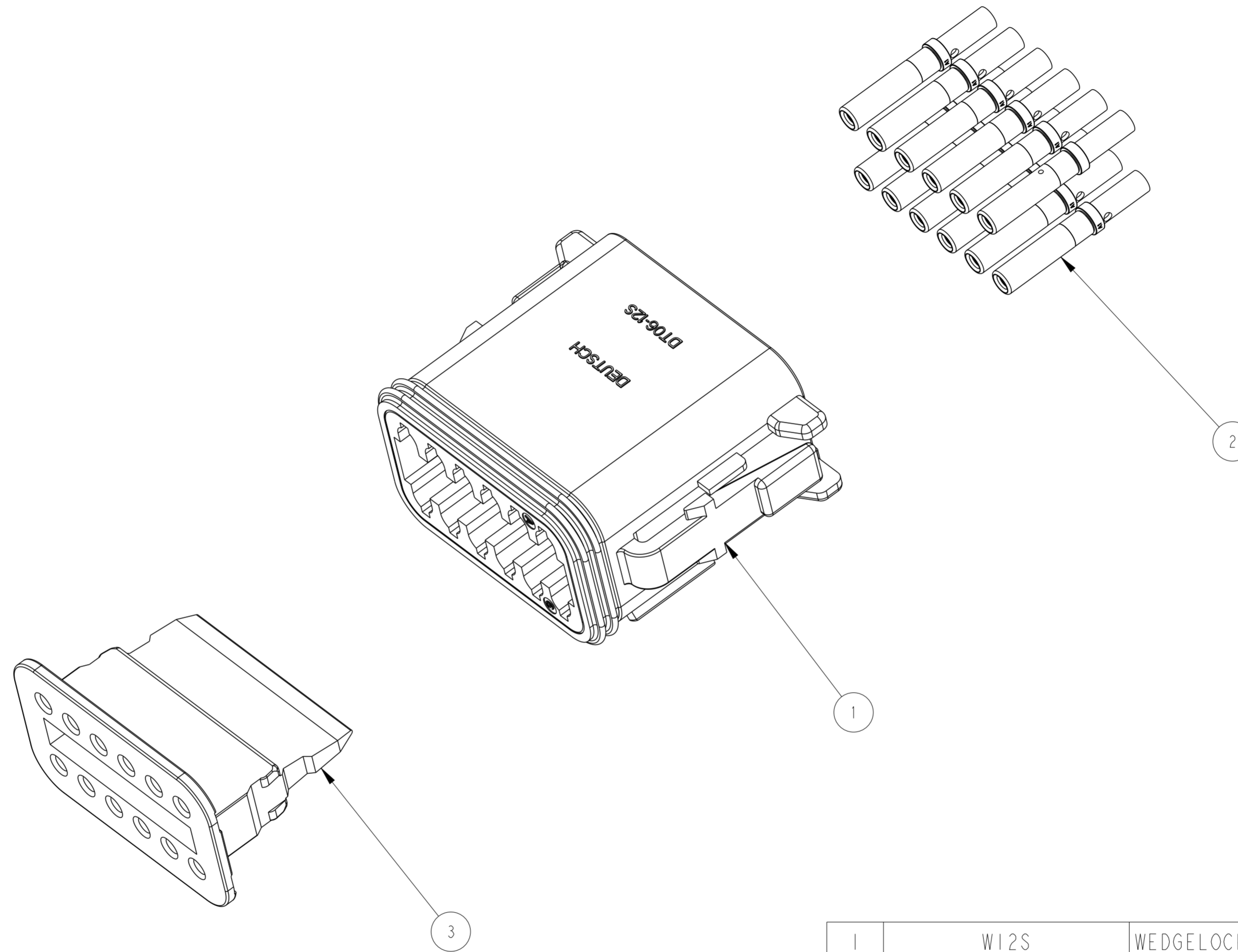


REVISIONS

P	LTR	DESCRIPTION	DATE	DWN	APVD
	A	INITIAL RELEASE	12MAR2020	AP	IG



QTY	PART NUMBER	DESCRIPTION	ITEM NO
1	W12S	WEDGELOCK	3
12	0462-201-16141	SOCKET, SOLID, SIZE 16, 16-20 AWG, NICKEL	2
1	DT06-12SA	DT 12P PLUG ASSEMBLY, KEY A	1
- < REVISION OF EACH ASSY NO. (WHEN BLANK, USE DRAWING REVISION)			
PARTS LIST			

3. APPLICATION SPECIFICATION: CONNECTOR: 114-151009
TERMINAL: 114-151004

2. PRODUCT SPECIFICATION: CONNECTOR: 108-151009
TERMINAL: 108-151004

1. WEDGELOCK, TERMINALS AND PLUG ASSEMBLY ARE SHIPPED UNASSEMBLED IN THE SAME BAG.

NOTES:

THIS DRAWING IS A CONTROLLED DOCUMENT.		DWN A POLO 12MAR2020	TE Connectivity		
DIMENSIONS: INCHES		CHK I GRANICHAROVA 12MAR2020			NAME DT06-12SA COMPLETE KIT W/ WEDGELOCK AND TERMINALS
TOLERANCES UNLESS OTHERWISE SPECIFIED: 0 PLC ± 1 PLC ± 2 PLC ± 3 PLC ±.025 4 PLC ± ANGLES ± FINISH		APVD I GRANICHAROVA 12MAR2020			
MATERIAL FINISH		PRODUCT SPEC 2	SIZE A2 CAGE CODE 00779 DRAWING NO C-DT06-12SA-COMPLETE RESTRICTED TO		
		APPLICATION SPEC 3	WEIGHT 24.06 SCALE 5:2 SHEET 1 OF 1 REV A		
		CUSTOMER DRAWING			