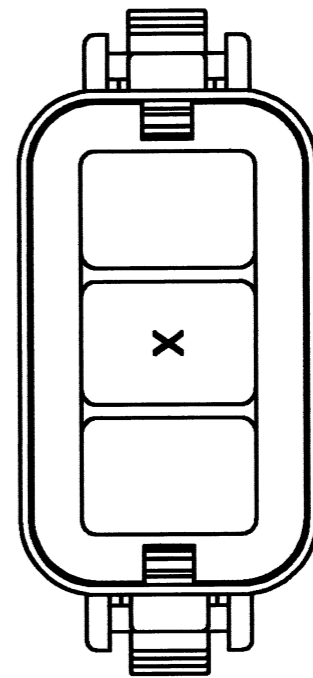
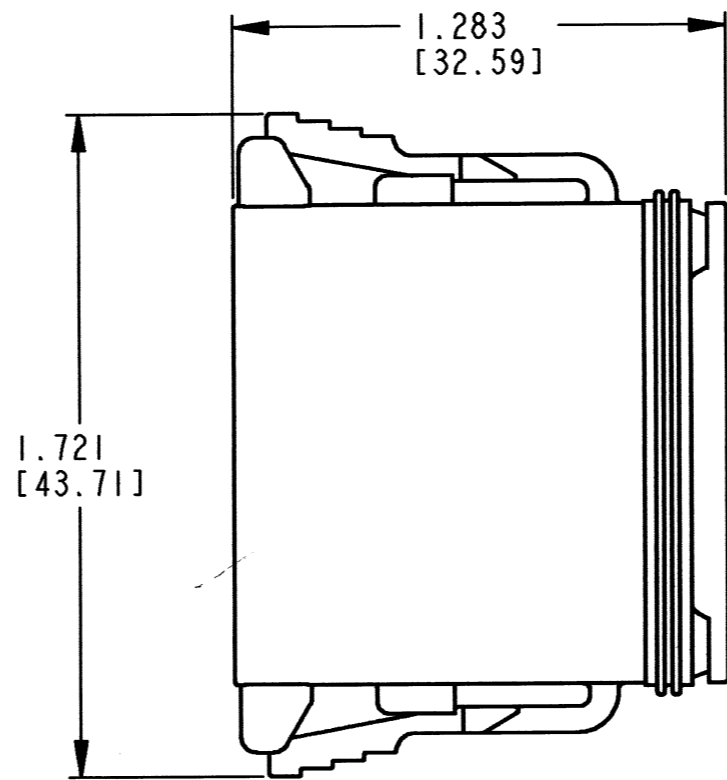
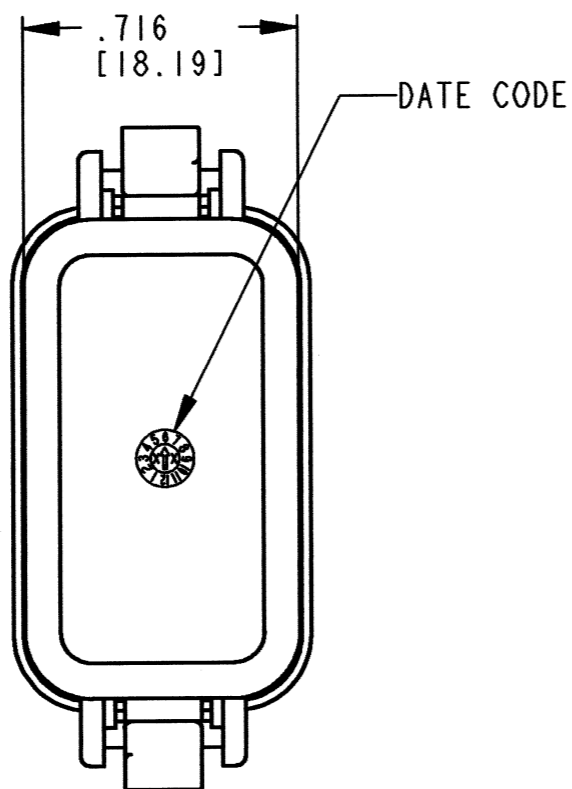


REV		REVISIONS			
B		SYM	DESCRIPTION	DATE	APPROVED
		NC	NEW RELEASE PER E.O. P20008	11/17/08	R.D.R.
		A	REVISED PER E.O. P20195	8/13/09	R.D.R.
		B	REVISED PER E.O. P20440	2-24-10	RRR




4. MATERIAL - SHELL: PLASTIC
SEAL: RUBBER
3. THIS PLUG MATES WITH DT04-12P*-****, DT14-15P*-****, AND DT14-18P*-**** RECEPTACLES. (**** = ALL MODIFICATIONS; * = KEY ARR. A,B,C,D) CONSULT FACTORY FOR MODIFICATIONS.
2. DIMENSIONS ARE ±.025 [0.63] UNLESS OTHERWISE SPECIFIED.
1. DIMENSIONS ARE IN INCHES [MILLIMETERS].
- NOTES:

SIGNATURE & DATE	
DR	R. MESSENGER 11/10/08
CHK	<i>[Signature]</i> 2/24/10
PE	<i>[Signature]</i> 2/16/10
APPD	<i>[Signature]</i> 2-17-10
SCALE	NONE WT _____

BLIND PLUG
12, 15, 18 WAY
COLOR: BLACK
DT SERIES

ENVELOPE

EP	MATL. CODE
 3850 INDUSTRIAL AVE. HEMET, CA 92545	
B	DT06-12S-B031
DWG SIZE	CODE 11139 SHEET OF