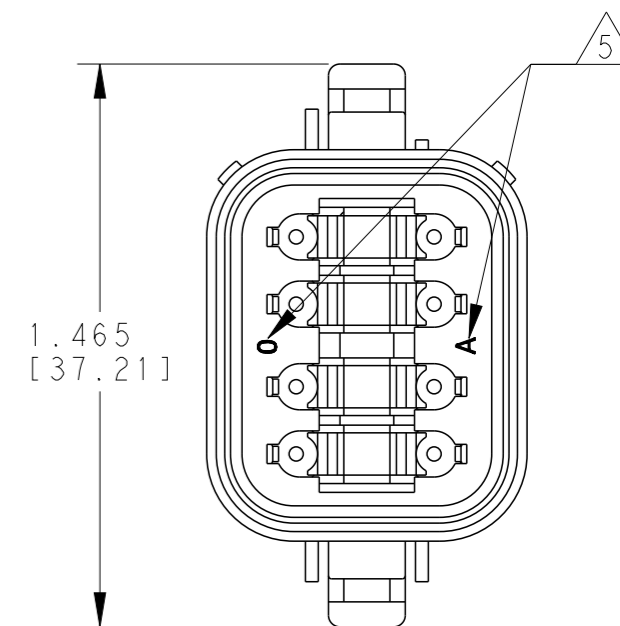
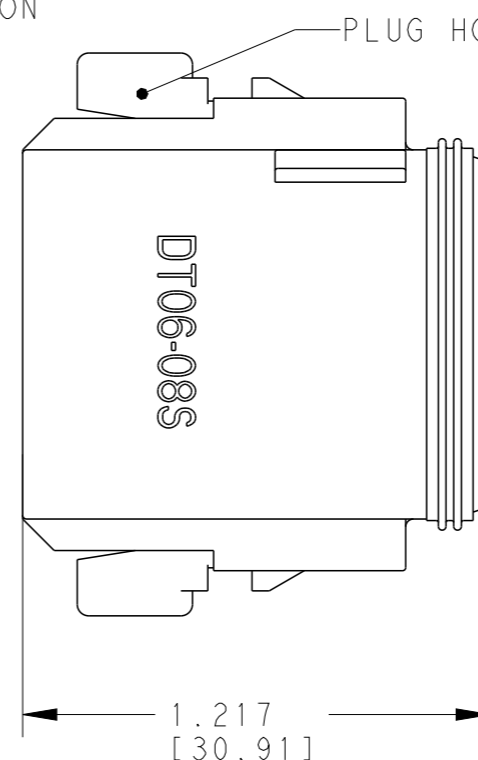
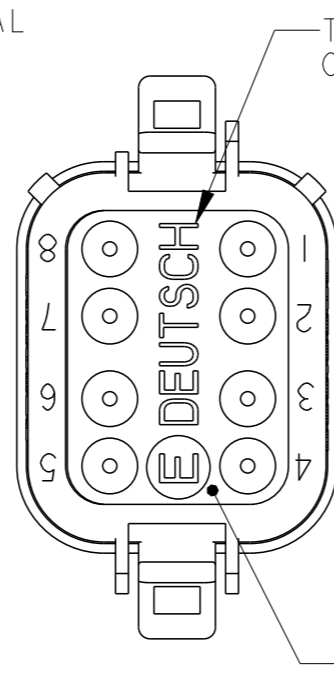
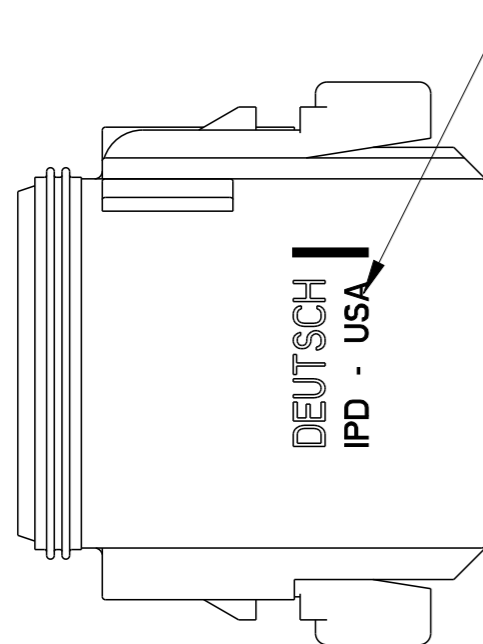
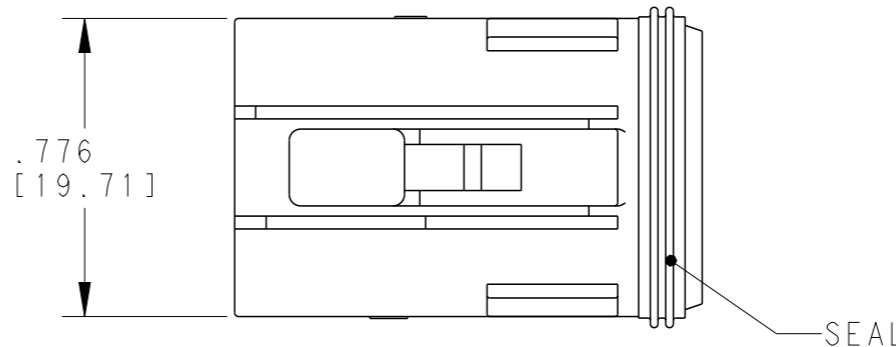
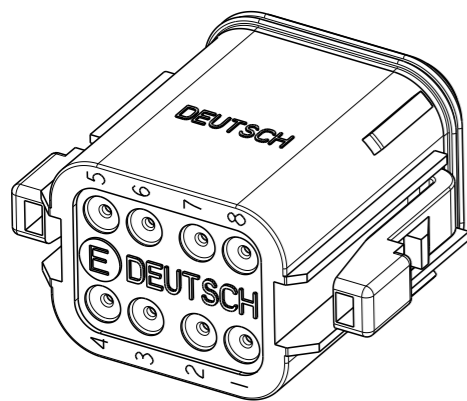


REVISIONS

P	LTR	DESCRIPTION	DATE	DWN	APVD
A		REVISED PER PCN E-18-011343	05DEC2018	SM	DM
B		REVISED PER PCN E-19-014633	13FEB2019	AK	NS



5. DATE CODE:  
MONTH IS REPRESENTED BY SEQUENTIAL ALPHA CHARACTERS. EX: A=JANUARY  
YEAR IS REPRESENTED BY THE LAST NUMERICAL DIGIT. EX: 0=2010

4. THIS PLUG MATES WITH DT04-08PB-XXXX RECEPTACLE  
(XXXX= ALL MODIFICATIONS).  
CONSULT FACTORY FOR MODIFICATIONS.

3. FOR CONTACTS AND WIRE PERFORMANCE AND APPLICATION  
CHARACTERISTICS SEE ENVELOP DRAWING 0425-015-0000.

2. MATERIAL: PLUG HOUSING: PA 66 GF15 (BLACK)  
SEALS: VMQ (BURNT RED).

1. SECONDARY WEDGE LOCK SOLD SEPARATELY: W8S-P012.

NOTES:

TE INTERNAL PN	DEUTSCH PN
DT06-08SB-CE06	DT06-08SB-CE06

CONTACT SIZE	MIN. INSUL O.D.	MAX INSUL O.D.	WIRE RANGE [mm <sup>2</sup> ]
16	.053 [1.35]	.120 [3.05]	14-20AWG [2.0-0.5]

THIS DRAWING IS A CONTROLLED DOCUMENT.		DWN S.THEIS 01MAR2000	<b>STE</b> TE Connectivity					
DIMENSIONS: INCH[mm]		CHK D.MEYER 07MAR2000						
TOLERANCES UNLESS OTHERWISE SPECIFIED:		APVD D.MEYER 07MAR2000	NAME 8 WAY PLUG W/ RECUCED DIA. GROMMET COLOR: BLACK -B- KEY CE06 MOD DT SERIES					
0 PLC ±-		PRODUCT SPEC 108-151009						
1 PLC ±-		APPLICATION SPEC 114-151009	SIZE A3	CAGE CODE 4AFU8	DRAWING NO C-DT06-08SB-CE06	RESTRICTED TO -		
2 PLC ±-		WEIGHT 14g						
3 PLC ±.025[0.63]		CUSTOMER DRAWING				SCALE 2:1	SHEET 1 OF 1	REV B
4 PLC ±-								
ANGLES ±5°								
FINISH -								
MATERIAL 2								