

REVISIONS					
P	LTN	DESCRIPTION	DATE	OWN	APVD
A3		REVISED PER PCN-23-187402	19SEP2023	OD	IG
A4		REVISED PER PCN-23-190838	26OCT2023	AJ	CB
A5		REVISED PER PCN-23-193051	20NOV2023	AJ	CB
B		REVISED PER PCN-23-192205	05FEB2024	RK	CB

FIGURE 1

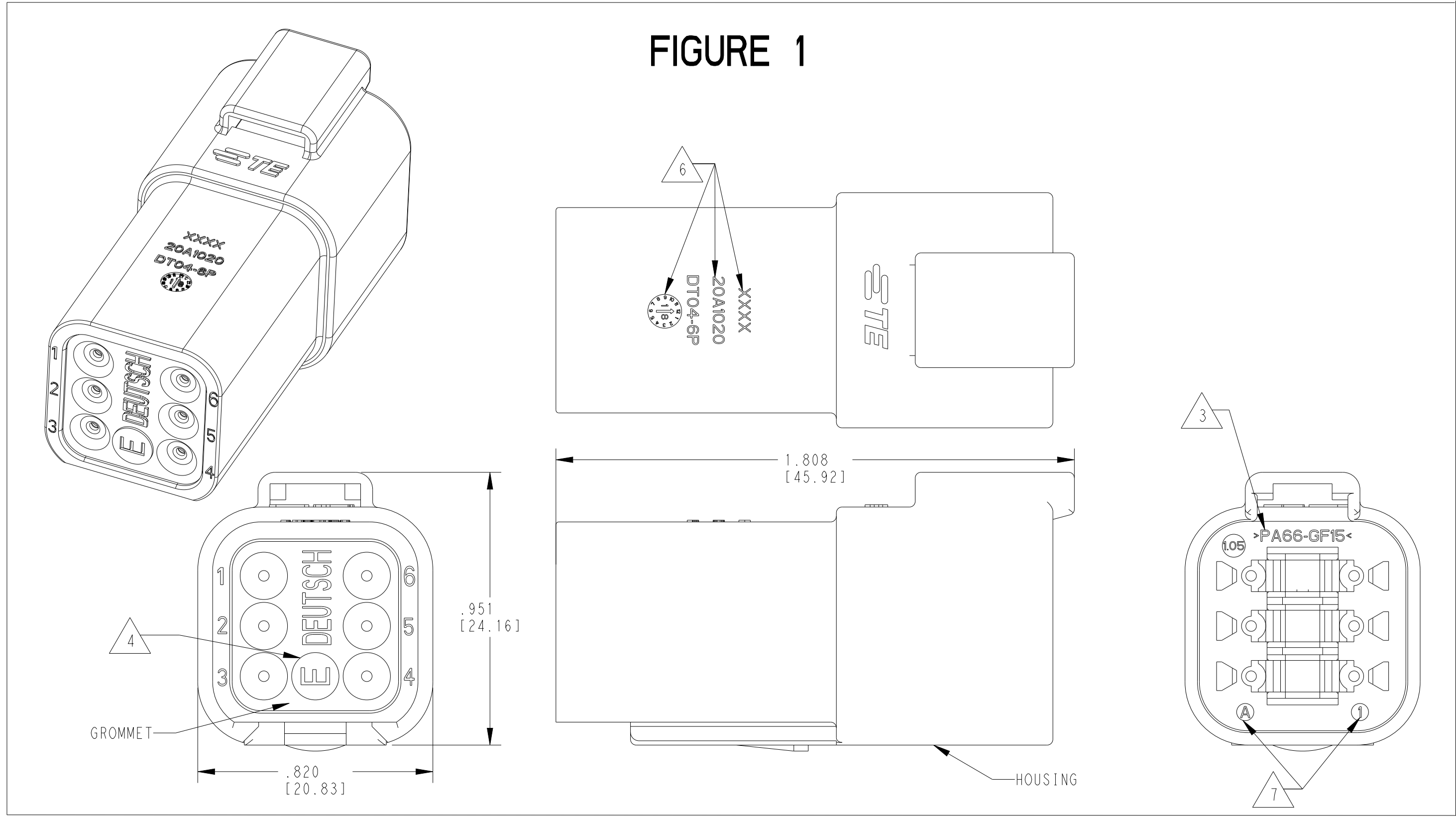


FIGURE 2  
SHORT CAP

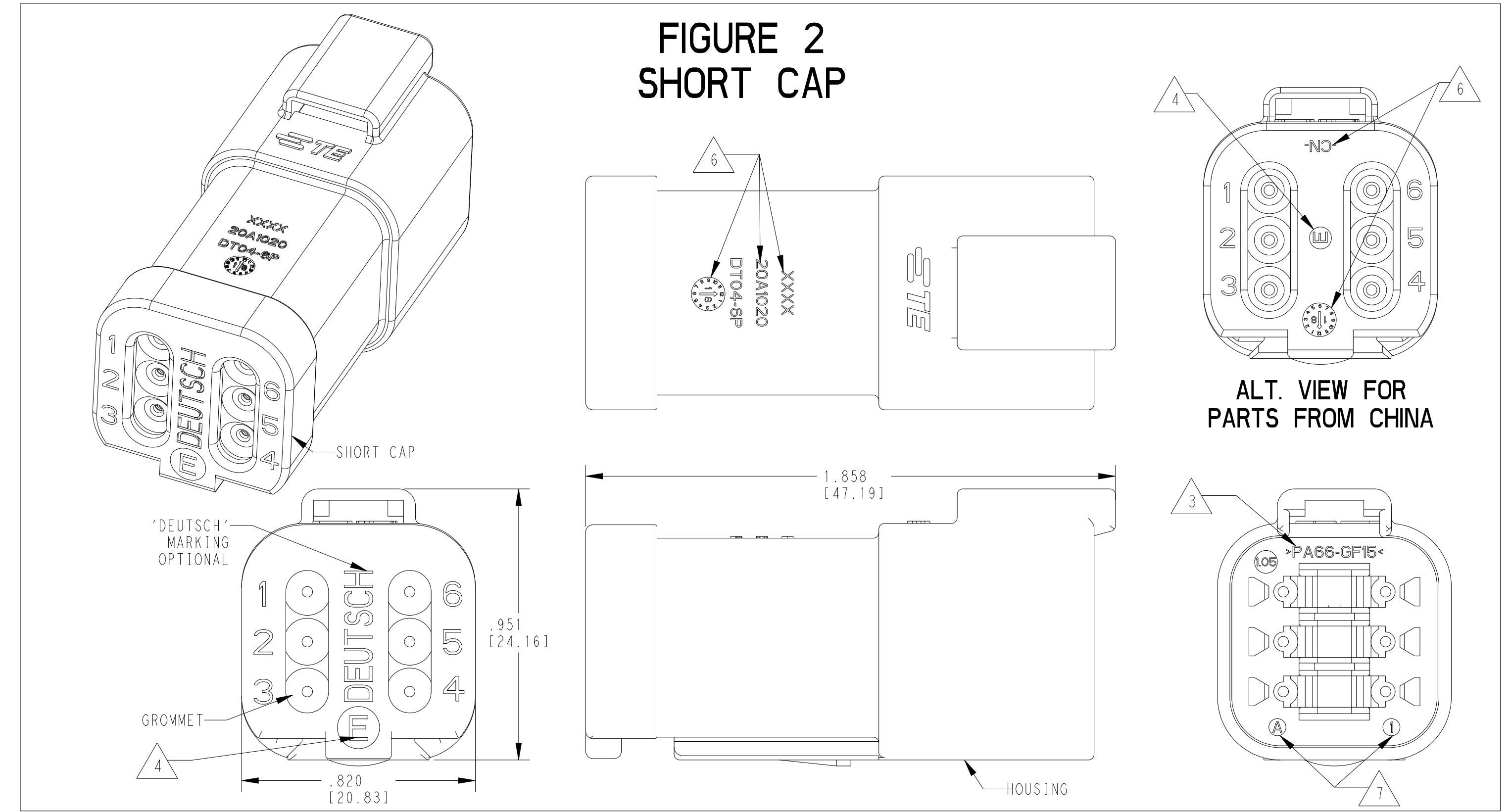
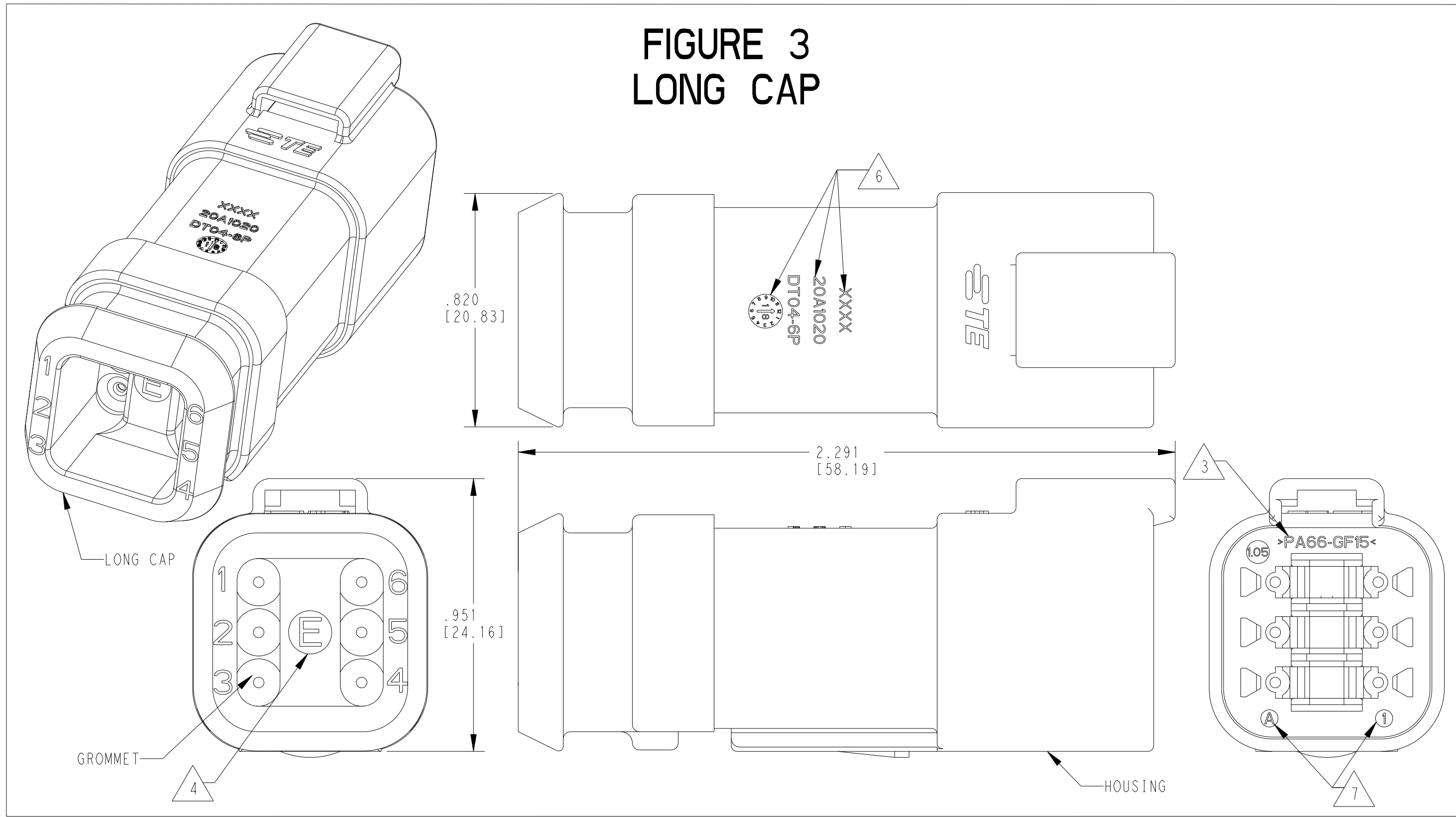
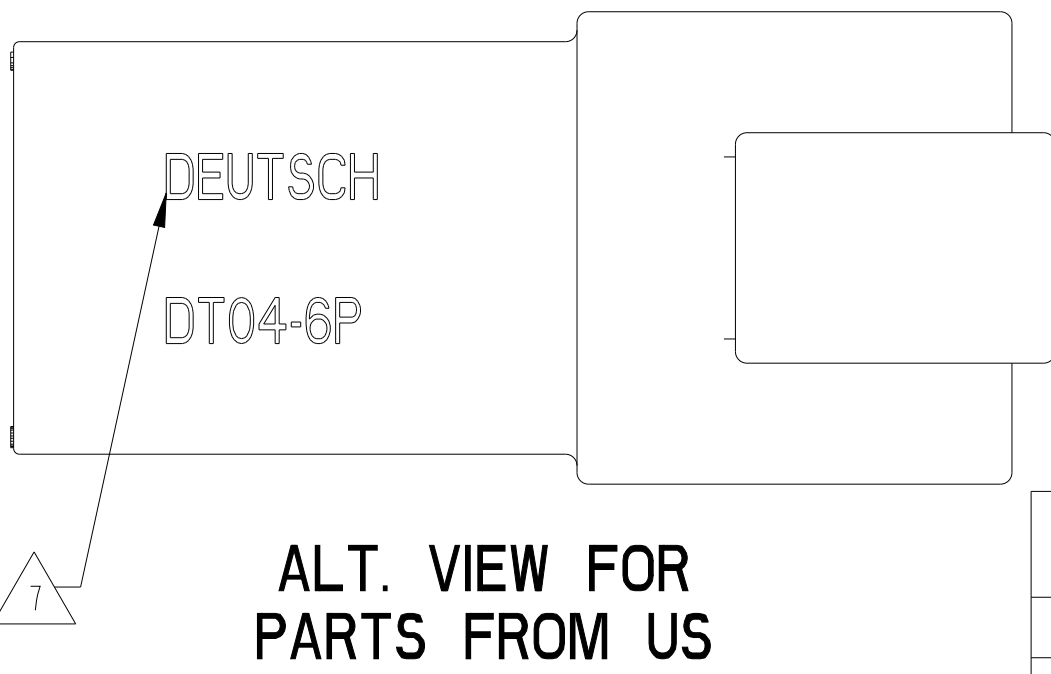


FIGURE 3  
LONG CAP



CONTACT SIZE	WIRE RANGE	INSULATION OD SEALING RANGE	SEAL IDENTIFICATION
16	14-20 AWG [2.5-0.5mm <sup>2</sup> ]	.088-.145 [2.23-3.68]	STANDARD SEAL
		.053-.120 [1.35-3.05]	EXTRA THIN SEAL E-SEAL

TE INTERNAL PART NUMBER	DEUTSCH PART NUMBER	PN REV	HOUSING COLOR	STANDARD SEAL	EXTRA THIN SEAL E-SEAL	BLOCKED SEAL	SHORT CAP	LONG CAP	FIGURE
DT04-6P	DT04-6P	A	GRAY	X					1
DT04-6P-C015	DT04-6P-C015	B	GRAY		X				1
DT04-6P-C017	DT04-6P-C017	B	GRAY			X	X		2
DT04-6P-CE01	DT04-6P-CE01	C	GRAY		X		X		2
DT04-6P-CE02	DT04-6P-CE02	B	BLACK		X				1
DT04-6P-CE03	DT04-6P-CE03	B	BLACK		X		X		2
DT04-6P-CE04	DT04-6P-CE04	B	GRAY		X			X	3
DT04-6P-CE09	DT04-6P-CE09	B	BLACK		X			X	3
DT04-6P-CE26	DT04-6P-CE26	A	BLACK			X	X		2
DT04-6P-E003	DT04-6P-E003	B	GRAY	X			X		2
DT04-6P-E004	DT04-6P-E004	A	BLACK	X					1
DT04-6P-E005	DT04-6P-E005	A	BLACK	X			X		2
DT04-6P-E008	DT04-6P-E008	B	GRAY	X				X	3
DT04-6P-EE01	DT04-6P-EE01	A	BLACK	X				X	3
DT04-6P-EP04	DT04-6P-EP04	C	GRAY	X			X		2
DT04-6P-P004	DT04-6P-P004	B	GRAY	X					1
1-2448114-1	DT04-6P-TE09	A	BROWN		X				1
1-2448114-2	DT04-6P-TE03	A	GREEN		X				1
1-2448114-3	DT04-6P-TE07	A	BLUE		X				1
2-2448114-1	DT04-6P-TN09	A	BROWN	X					1
2-2448114-2	DT04-6P-TN03	A	GREEN	X					1
2-2448114-3	DT04-6P-TN07	A	BLUE	X					1



- 4. "E" IDENTIFIES E-SEAL, LOCATED APPROX. AS SHOWN.
  - 3. MATERIAL: HOUSING: PA66 GF15, SEE TABLE FOR COLOR  
SHORT, LONG CAP: PA66 GF15, BLACK  
GROMMET: E-SEAL VMO (BURNT RED)  
N-SEAL VMO (RED-ORANGE)  
BLOCKED VMO (RED-ORANGE)
  - 2. THIS RECEPTACLE MATES WITH DT06-6S-XXXX PLUG (XXXX = ALL MODIFICATIONS)
  - 1. SECONDARY WEDGE LOCK SOLD SEPARATELY: W6P-XXXX. (XXXX = ALL MODIFICATIONS)
- NOTES: UNLESS OTHERWISE SPECIFIED

6. MARKING FOR PARTS PRODUCED IN CHINA:
- XXXX IDENTIFIES THE MODIFICATION NUMBER, IF APPLICABLE. EXAMPLE: "E003" FOR DT04-6P-E003, OR BLANK FOR DT04-6P
  - DATE CODE: IDENTIFIES THE YEAR, MONTH, DAY AND HOUR OF ASSEMBLY.  
YEAR: FIRST AND SECOND DIGIT. (17 = 2017)  
MONTH: THIRD DIGIT, EXCLUDING 1. A = JAN, B = FEB, C = MARCH ... (K = OCTOBER)  
DAY: FOURTH AND FIFTH DIGITS (14 = 14th DAY)  
HOUR: SIXTH AND SEVENTH DIGITS (11 = 11AM)
  - DIAL DATE CODE LOCATED ON HOUSING AND/OR CAP.  
-CN LOCATED ON HOUSING AND/OR CAP.
5. FOR CONTACT AND WIRE PERFORMANCE AND APPLICATION CHARACTERISTICS SEE CUSTOMER DRAWING 0425-015-0000.

7. MARKING FOR PARTS PRODUCED IN US:
- DATE CODE: YEAR TO BE LAST NUMERICAL DIGIT, EX: 1 = 2021  
MONTH USES SEQUENTIAL ALPHA CHARACTERS, EX: A = JANUARY  
-DEUTSCH

THIS DRAWING IS A CONTROLLED DOCUMENT.

DIMENSIONS: IN [mm]	TOLERANCES UNLESS OTHERWISE SPECIFIED:	OWN: A. POLO 15DEC2021 CHK: R. MESSENGER 15DEC2021 APVD: I. GRANICHAROVA 15DEC2021	NAME: 6 WAY RECEPTACLE, STANDARD SEAL EXTRA THIN SEAL, SHORT AND LONG CAP, DT SERIES
MATERIAL: 3	0 PLC ± 1 PLC ± 2 PLC ± 3 PLC ±.025 (0.64) 4 PLC ± ANGLES 40°/30° FINISH	PRODUCT SPEC: 108-151009 APPLICATION SPEC: 114-151009 WEIGHT: 114-151009	SIZE: A   4AFU8 CAGE CODE: DT04-6P-XXXX RESTRICTED TO: -
CUSTOMER DRAWING		SCALE: 3:1	SHEET 1 OF 1 REV B