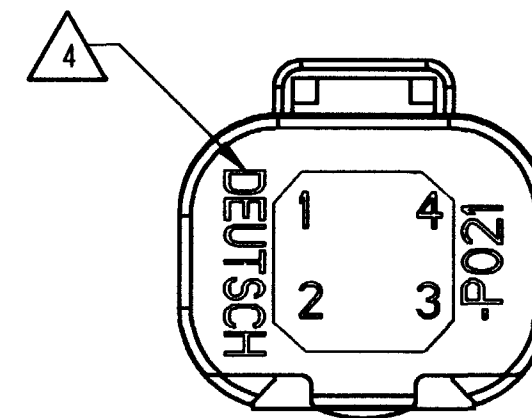
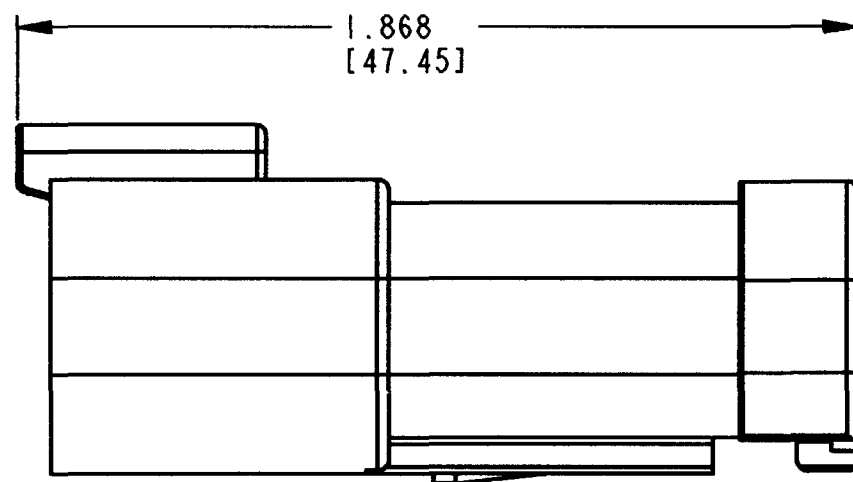
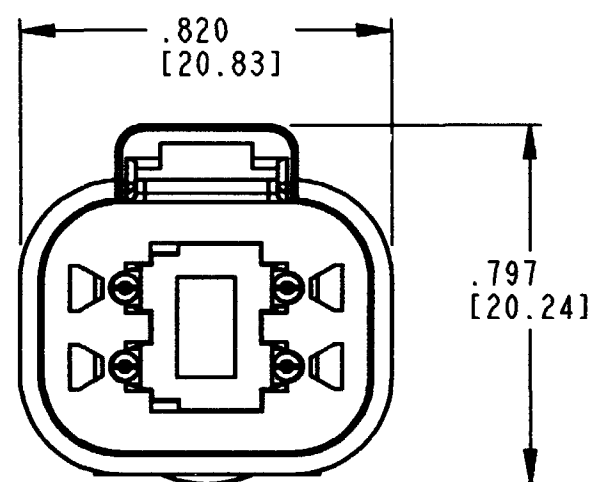
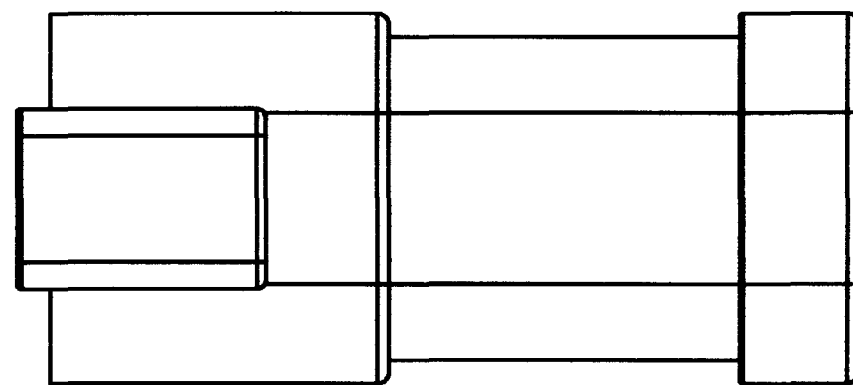
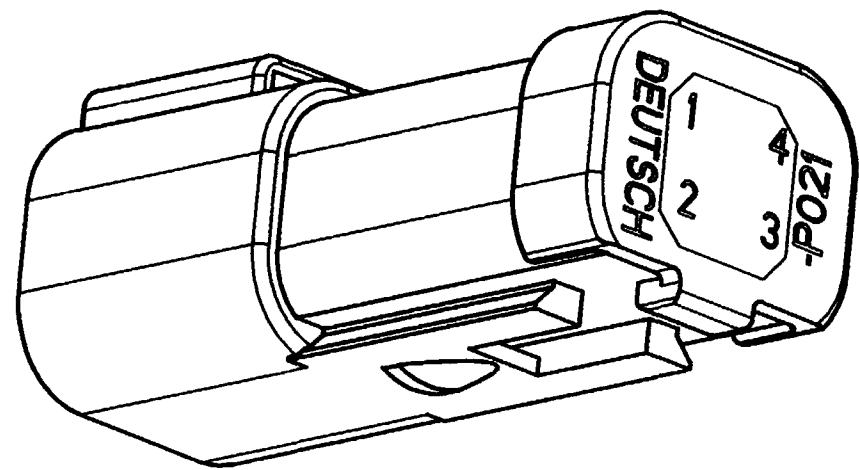


**3D VIEW**



REV  
NC DT04-4P-P021

REVISIONS			
SYM	DESCRIPTION	DATE	APPROVED
NC	NEW RELEASE PER E.O. P18931	6-3-05	RDR

- NOTES:
- DIMENSIONS ARE IN INCHES [MILLIMETERS].
  - DIMENSIONS ARE ±.025[0.63] UNLESS OTHERWISE SPECIFIED.
  - THIS DT04-4P-P021 MATES WITH DT06-4S-\*\*\*\* (\*\*\*\* = ALL MODIFICATIONS). CONSULT FACTORY FOR MODIFICATIONS.
  - ORIENTATION OF "DEUTSCH" AND "-P021" TO BE OPTIONAL.
  - THE 4 PIN BUSBAR HAS A MAXIMUM CURRENT RATING OF 26 AMPS.

SIGNATURE & DATE	
DR	T. YOHANNES 19MAY05
CHK	R. MESSING 6/1/05
PE	T. YOHANNES 6/1/05
APPD	S. BEND 6-1-05
SCALE	NONE WT

DT 4 WAY RECEPTACLE  
4 PIN BUSBAR-NICKEL PLATED  
COLOR: GRAY

ENVELOPE

CP	MATL CODE
<b>The Deutsch Company</b> DEUTSCH I.P.D. 3850 INDUSTRIAL AVE. HEMET, CALIF. 92545	
<b>B</b>	<b>DT04-4P-P021</b>
DWG SIZE	CODE 11139 SHEET   OF