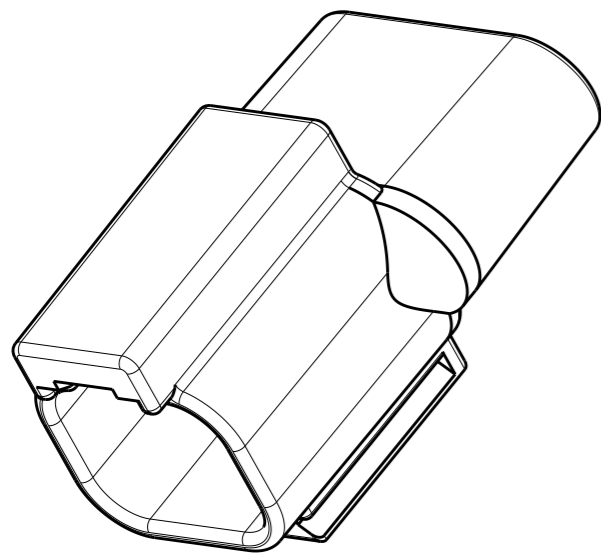
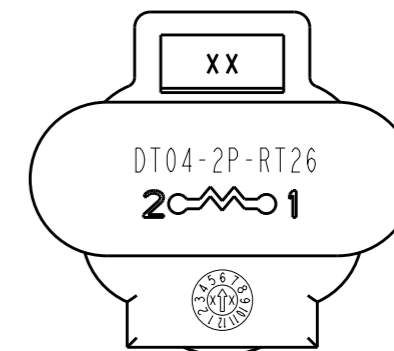
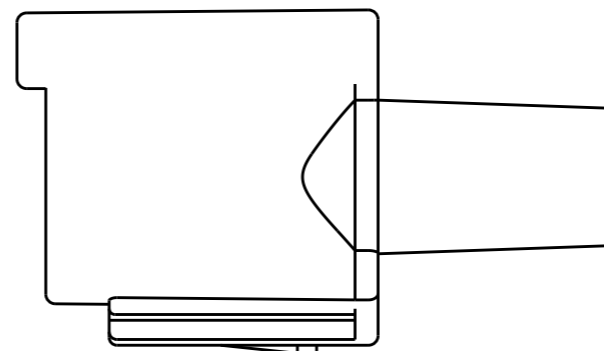
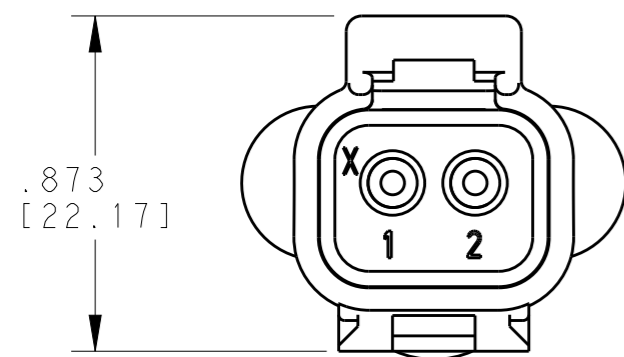
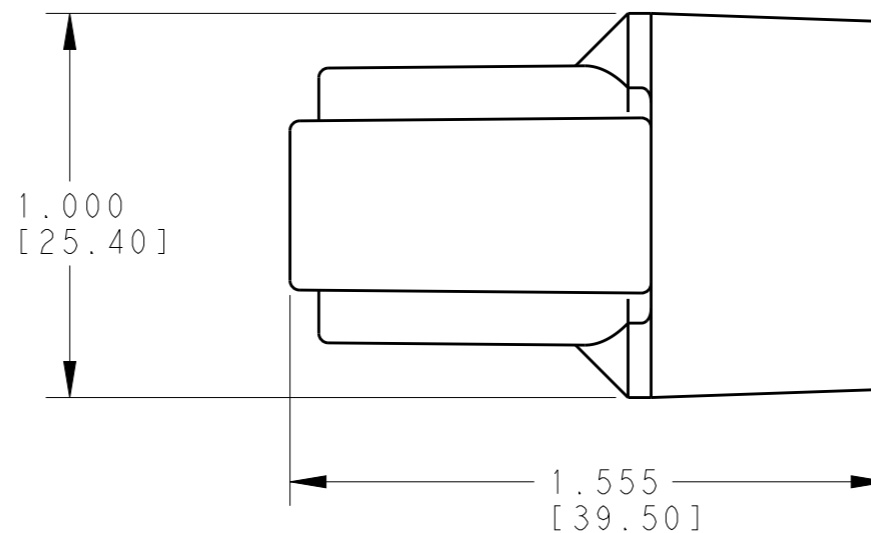


THIS DRAWING IS UNPUBLISHED. RELEASED FOR PUBLICATION 2015  
© COPYRIGHT 2015 BY - TE CONNECTIVITY ALL RIGHTS RESERVED.

REVISIONS					
P	LTR	DESCRIPTION	DATE	DWN	APVD
A1		REVISED PER ECO-16-002356	21DEC2015	MGM	DM
B		REVISED PER PCN :E-17-012113	18AUG2017	DD	DM



3D VIEW



4. RESISTOR 1.5k OHMS 1 WATT 5% TOLERANCE.


3 MATERIAL: HOUSING: NYLON BLACK  
CONTACTS: COPPER ALLOY,  
NICKEL OVER COPPER

2. TEMPERATURE RANGE: -55°C TO +125°C.

1. THIS RECEPTACLE MATES WITH DT06-2S-XXXX PLUG  
(XXXX = ALL MODIFICATIONS).

NOTES:

TE INTERNAL PN	DEUTSCH PART NO
DT04-2P-RT26	DT04-2P-RT26

THIS DRAWING IS A CONTROLLED DOCUMENT.		DWN P. BURKE 08JUN2003	 TE Connectivity			
DIMENSIONS: INCHES [mm]		CHK B. Byford 14MAR2006				
TOLERANCES UNLESS OTHERWISE SPECIFIED:		APVD S. BEARD 02MAR2006	NAME 2 WAY RECEPTACLE 1 WATT 5% TOLERANCE 1.5k OHM RESISTOR DT SERIES			
0 PLC ± 1 PLC ± 2 PLC ± 3 PLC ±.025 [0.64] 4 PLC ± ANGLES ±0°30'0"		PRODUCT SPEC 108-151009	SIZE A3	CAGE CODE 44FU8	DRAWING NO DT04-2P-RT26	RESTRICTED TO -
MATERIAL		APPLICATION SPEC 0425-017-0000	WEIGHT 10.0 g		SCALE 1:1	
FINISH		CUSTOMER DRAWING		SHEET 1 OF 1		REV B