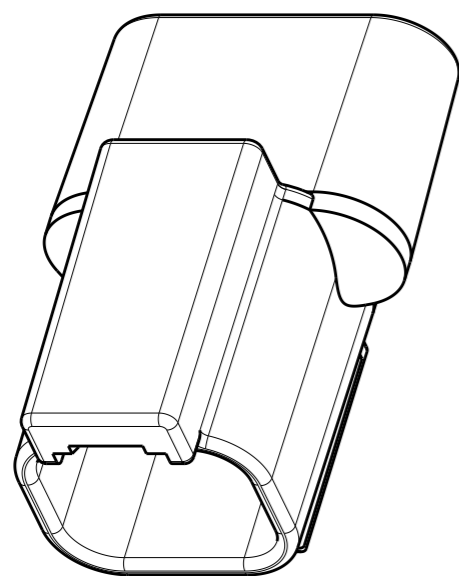
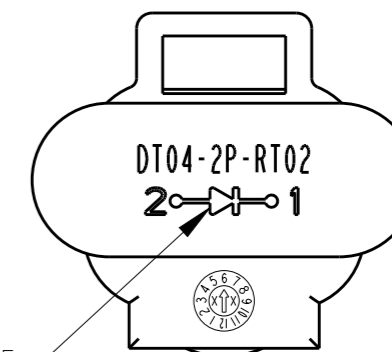
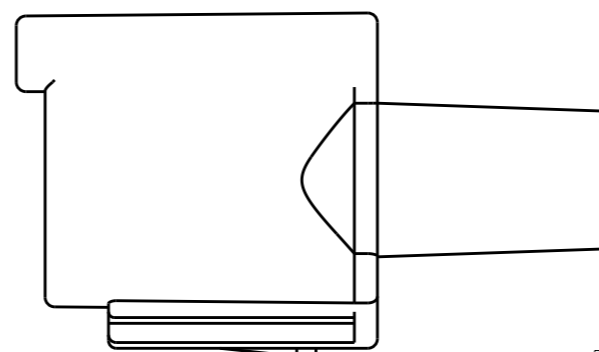
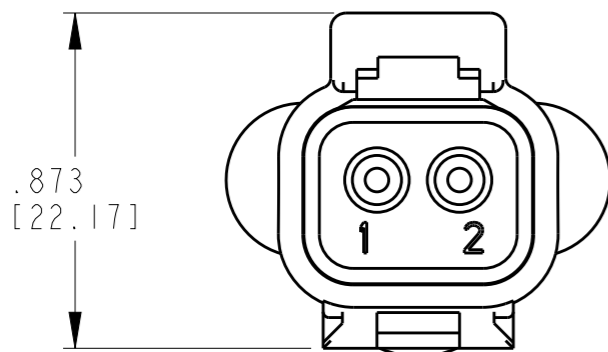
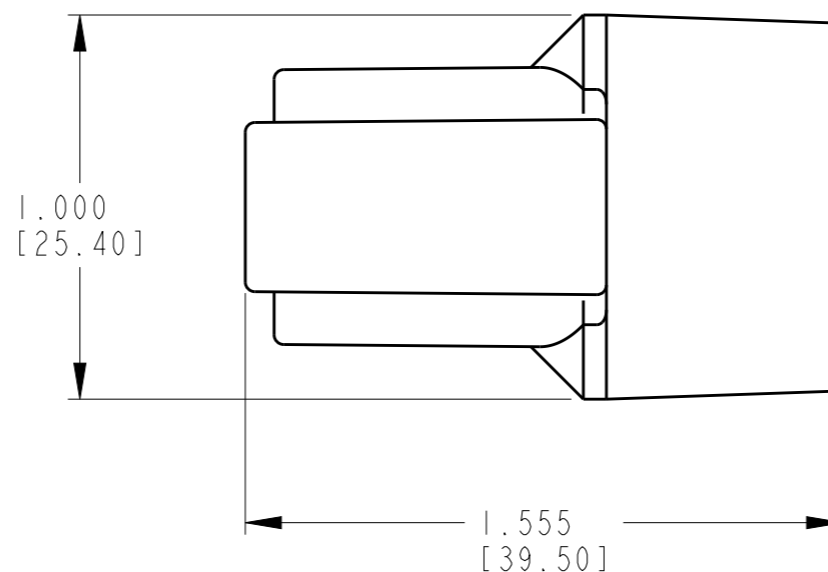


| P | LTR | DESCRIPTION | DATE | DWN | APVD |
|----|-----|---------------------------|-----------|-----|------|
| B | | REVISED PER E.O. P16218 | 30JUL1999 | | CLW |
| C | | REVISED PER E.O. P19162 | 15MAR2006 | | RDR |
| D1 | | REVISED PER ECO-16-005960 | 18APR2016 | KM | DM |
| E | | REVISED PER ECR-16-017570 | 12DEC2016 | KM | DM |



3D VIEW



DIODE POLARITY REFERENCE

6. MOLDED-IN DIODE ELECTRICAL CHARACTERISTICS
 PEAK REVERSE VOLTAGE = 400.0 V MAX.
 PEAK FORWARD VOLTAGE = 1.0 V MAX.
 AVERAGE FORWARD CURRENT = 3.0 A MAX.

5. MATERIAL: PA GF BLACK

4. TEMPERATURE RANGE : -55°C TO +125°C.

3. RECEPTACLE MATES WITH DT06-2S-****.

2. ALL DIMENSIONS W/O TOLERANCE ARE +/- .025 [+/- 0.63]

1. ALL DIMENSIONS ARE INCHES (METRIC).

| | | | | | |
|--|--|-------------------------------|--|--------------------|----------------------------|
| THIS DRAWING IS A CONTROLLED DOCUMENT. | | DWN K. McKEE 17DEC2013 | | | |
| DIMENSIONS: INCHES [mm] | | CHK K. McKEE 25AUG2015 | | | |
| TOLERANCES UNLESS OTHERWISE SPECIFIED: | | APVD D. MEYER 25AUG2015 | NAME TERMINATING RECEPTACLE, 2-PIN DT SERIES | | |
| | | PRODUCT SPEC - | RESTRICTED TO - | | |
| MATERIAL - | | APPLICATION SPEC - | SIZE A3 | CAGE CODE 4AFU8 | DRAWING NO DT04-2P-RT02 |
| FINISH - | | WEIGHT 10.37 g | SCALE 2:1 | SHEET 1 | OF 1 |
| | | Customer Drawing | | REV E | |