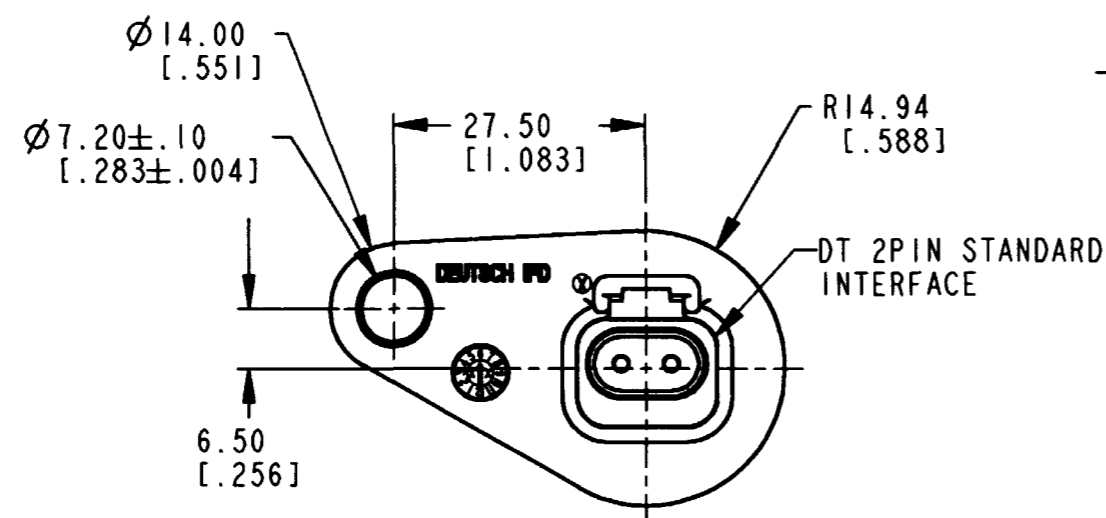
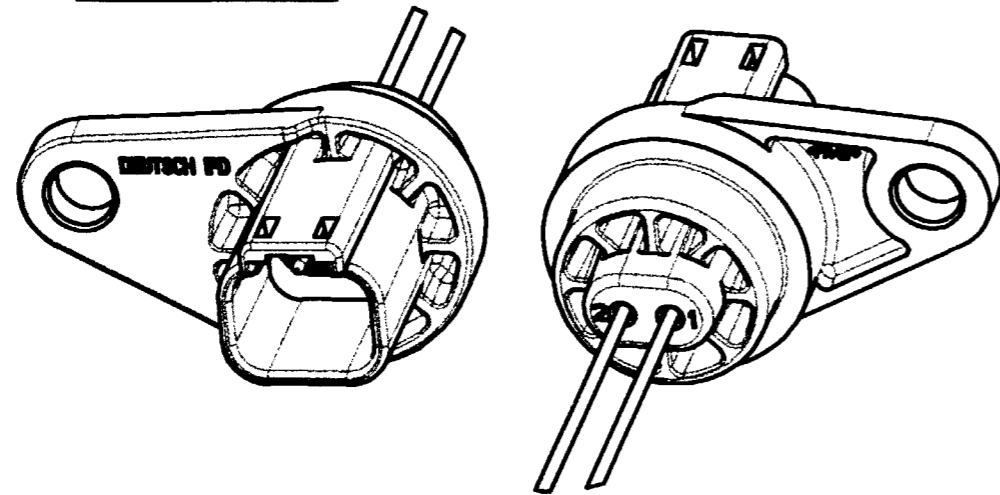


**3D VIEWS**

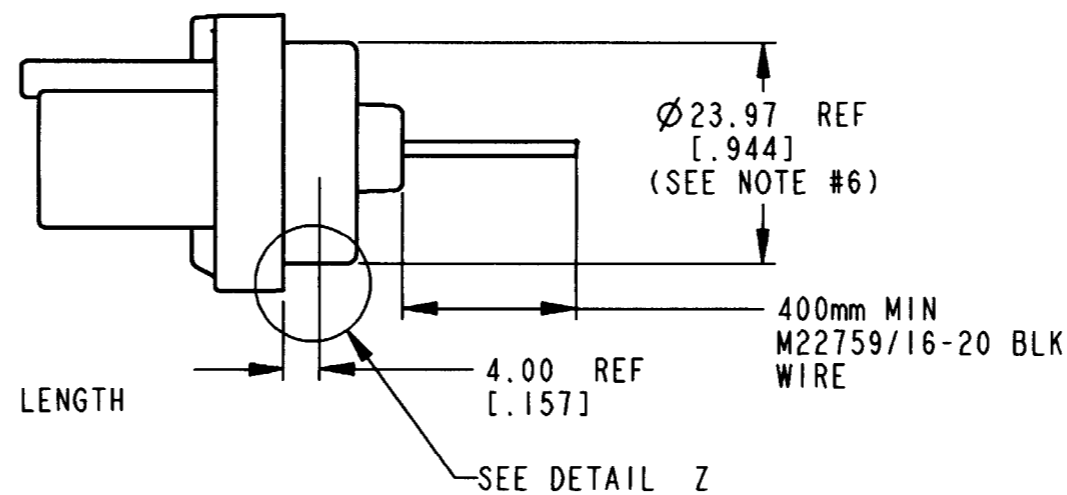
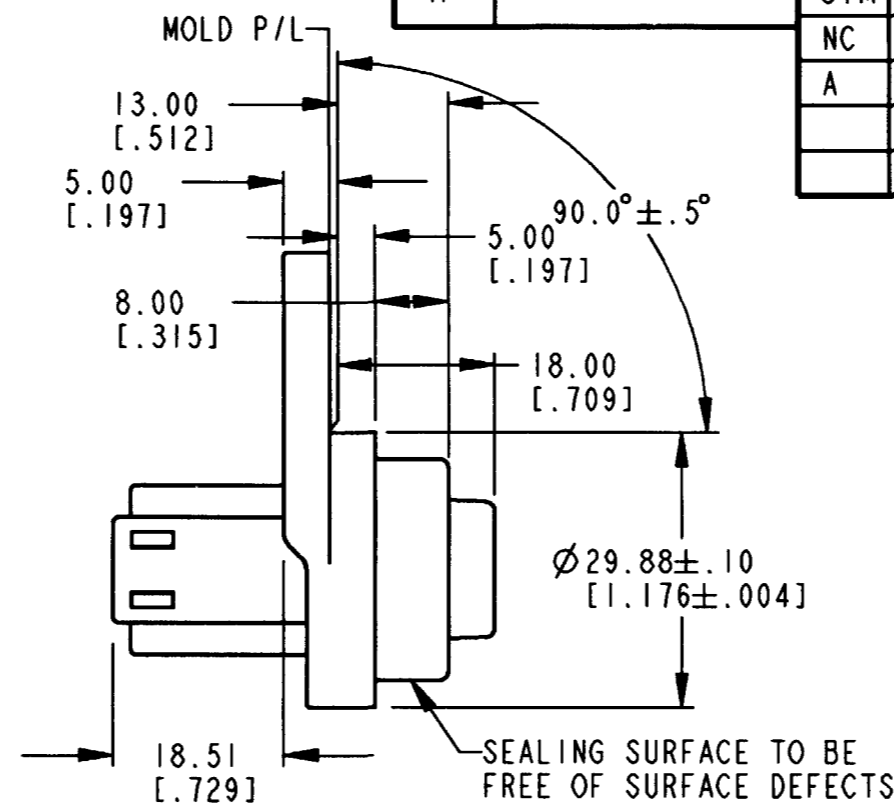


6. DIMENSION AND TOLERANCE  $\phi 23.97 \pm .10$  APPLIES FOR 3.99 MIN LENGTH  
 [ .944 ± .004 ] [ .157 ]  
 TOLERANCE  $\phi 23.97 \begin{smallmatrix} +.10 \\ -.20 \end{smallmatrix}$  APPLIES FOR REMAINDER.  
 [ .944  $\begin{smallmatrix} +.004 \\ -.008 \end{smallmatrix}$  ]

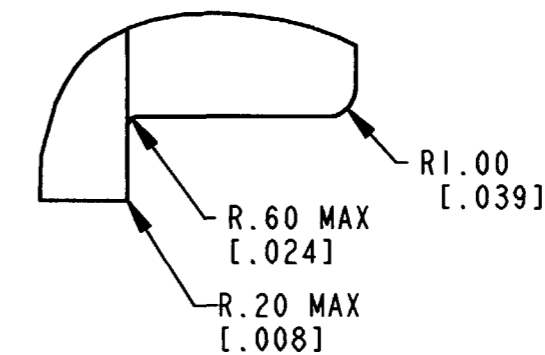
- NOTES: 1. ALL DIMENSIONS ARE IN MM [IN].
2. ALL DIMENSIONS, UNLESS OTHERWISE SPECIFIED, TO HAVE A TOLERANCE OF  $\pm .25$  [  $\pm .010$  ]
  3. HOUSING MATERIAL TO BE <PA-GF> BLACK.
  4. CONNECTOR TO SEAL AGAINST 34kN/m [5 PSI] AIR.
  5. THIS CONNECTOR MATES WITH DT06-2S-\*\*\*\* (\*\*\*\*=ALL MODIFICATIONS). CONSULT FACTORY FOR ALL MODIFICATIONS.

REV A DT04-2P-P036

REVISIONS			
SYM	DESCRIPTION	DATE	APPROVED
NC	NEW RELEASE PER E.O. P17044	3/27/01	<i>[Signature]</i>
A	REVISED PER E.O. P17363	7/24/01	<i>[Signature]</i>



**DETAIL Z**



SIGNATURE & DATE	
DR	M. GONZALEZ 2/22/01
CHK	<i>[Signature]</i>
PE	<i>[Signature]</i> 8/25/01
APPD	<i>[Signature]</i> 9/14/01
SCALE	NONE WT

DT 2PIN FLANGE  
 FEED THRU  
 CONNECTOR  
 SIZE 16 CONTACTS

ENVELOPE

CP	MATL. CODE

**The Deutsch Company**  
 DEUTSCH I.P.D.  
 3850 INDUSTRIAL AVE.  
 HEMET, CALIF. 92545

**B** DT04-2P-P036

DWG SIZE	CODE	SHEET	OF
11139			