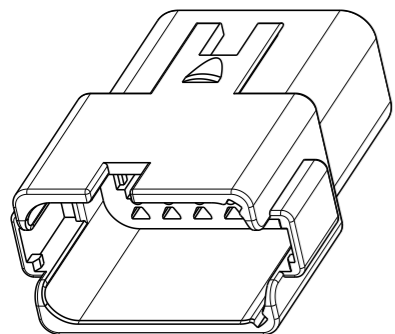
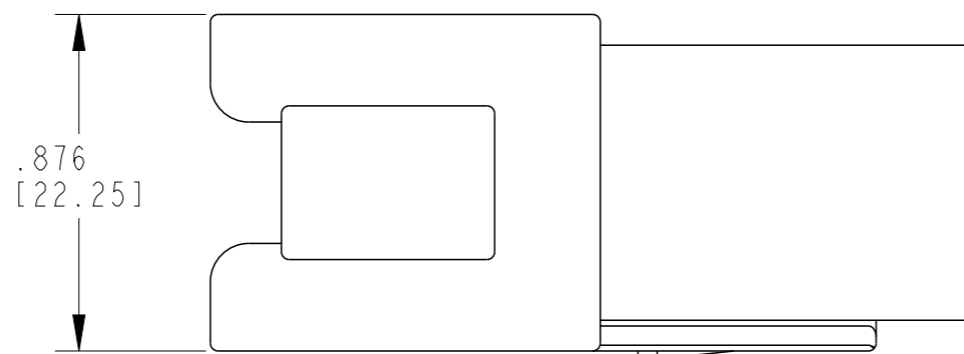


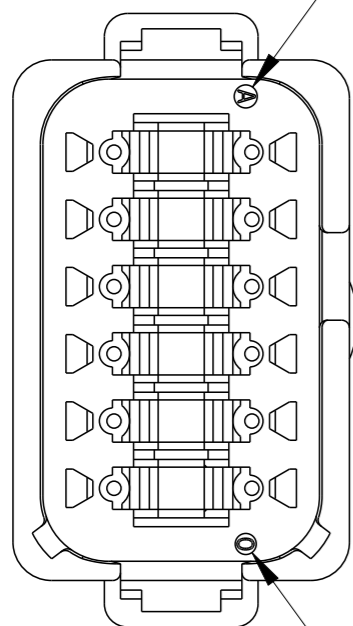
LOC		DIST		REVISIONS			
P	LTR	DESCRIPTION	DATE	DWN	APVD		
	NC	NEW RELEASE PER E.O. P16570	07MAR2000	ST	DM		
	A	REVISED PER E.O. P16863	15SEP2000	TY	RDR		
	A1	REVISED PER ECO-15-016593	05NOV2015	JA	DM		
	B	REVISED PER PCN E-19-014633	13FEB2019	AK	NS		



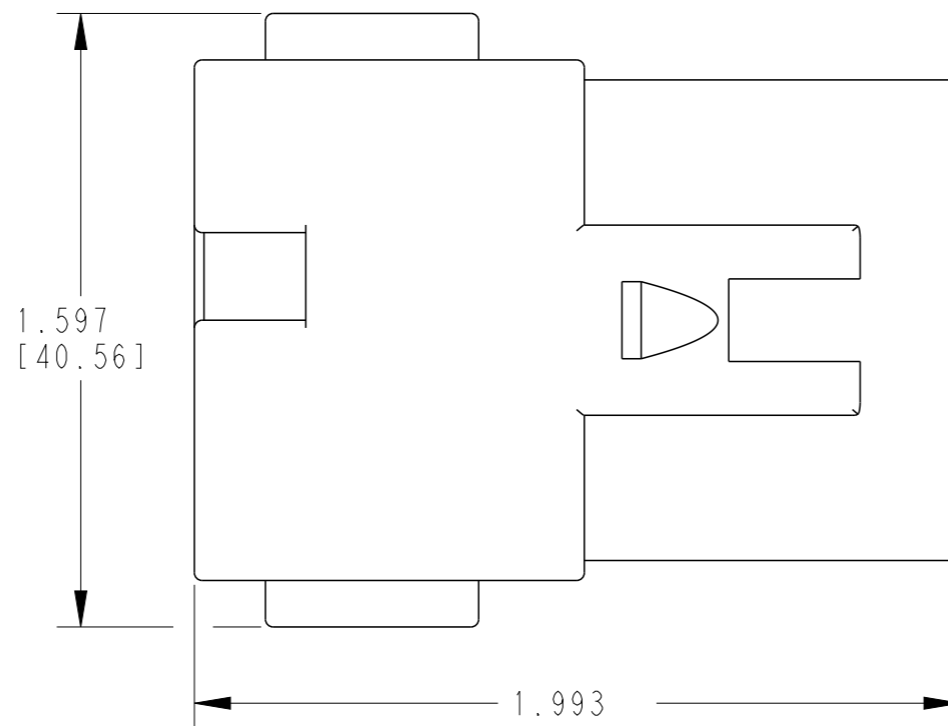
SCALE 1:1



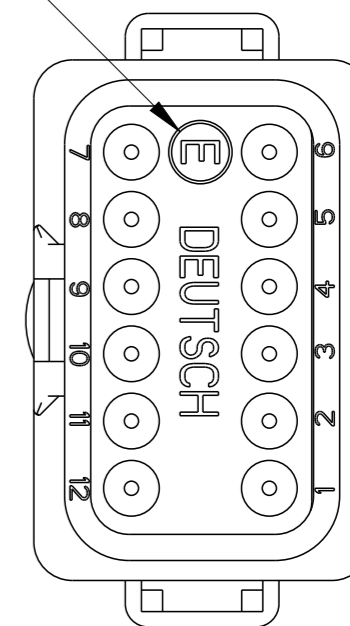
EX. OF MONTH JANUARY



EX. OF YEAR 2020



-E- DESIGNATES REDUCED DIAMETER WIRE SEAL



RECEPTACLE HOUSING

TE INTERNAL PN	DEUTSCH PN
DT04-12PB-CE08	DT04-12PB-CE08

CONTACT SIZE	MIN. INSUL O.D.	MAX. INSUL O.D.	WIRE RANGE
16	.053 [1.34]	.120 [3.04]	14-20 AWG [2.0-0.5 mm ²]

3 DATE LEGEND: YEARS TO BE REPRESENTED BY LAST NUMERICAL DIGIT. MONTH USES SEQUENTIAL ALPHA CHARACTERS, EX: A = JANUARY ...

2 MATERIAL: HOUSING: PA66 GF15 (BLACK); GROMMET: VQM (BURNT RED)

1. THIS RECEPTACLE MATES WITH DT06-12SB-XXXX PLUG. (XXXX = ALL MODIFICATIONS). CONSULT FACTORY FOR MODIFICATIONS.

NOTES: UNLESS OTHERWISE SPECIFIED

THIS DRAWING IS A CONTROLLED DOCUMENT.		DWN S. THEIS 01MAR2000		
DIMENSIONS: INCHES [mm]		CHK PAUL BURKE 15SEP2000		
TOLERANCES UNLESS OTHERWISE SPECIFIED:		APVD STEVE BEARD 15NOV2000		
0 PLC ± 1 PLC ± 2 PLC ± 3 PLC ±.025 [0.64] 4 PLC ± ANGLES ±1/2°		PRODUCT SPEC 108-151009		
MATERIAL		FINISH N/A	APPLICATION SPEC 114-151009	NAME RECEPTACLE 12 WAY -CE08 MOD, -B- KEY DT SERIES
2		WEIGHT 18.0g	SIZE A3	CAGE CODE 4AFU8
		CUSTOMER DRAWING	DRAWING NO. DT04-12PB-CE08	RESTRICTED TO -
		SCALE 2:1	SHEET 1 OF 1	REV B