

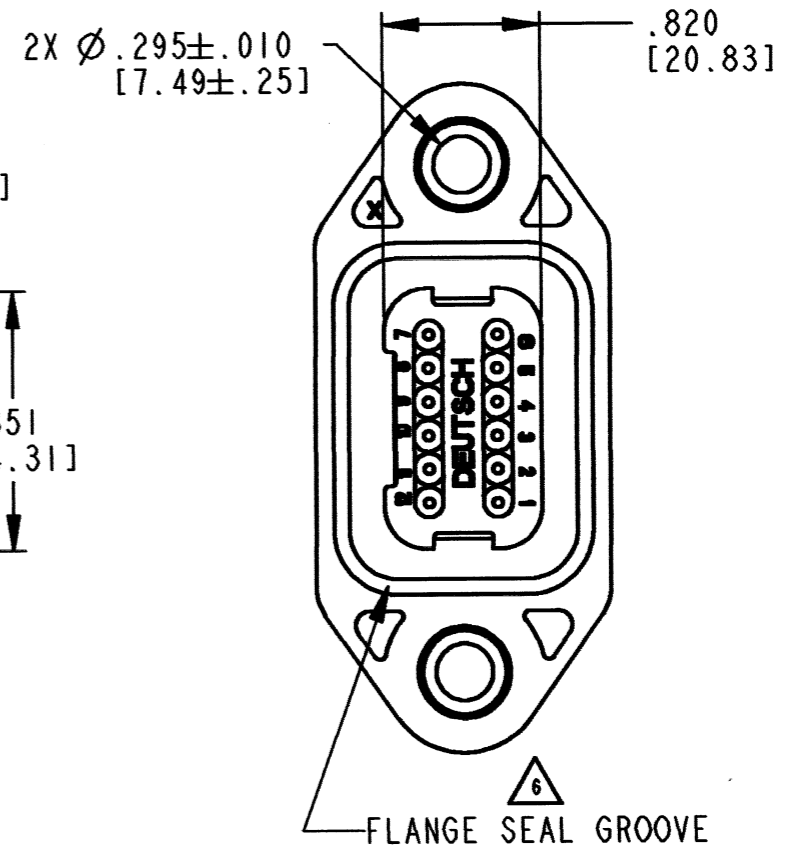
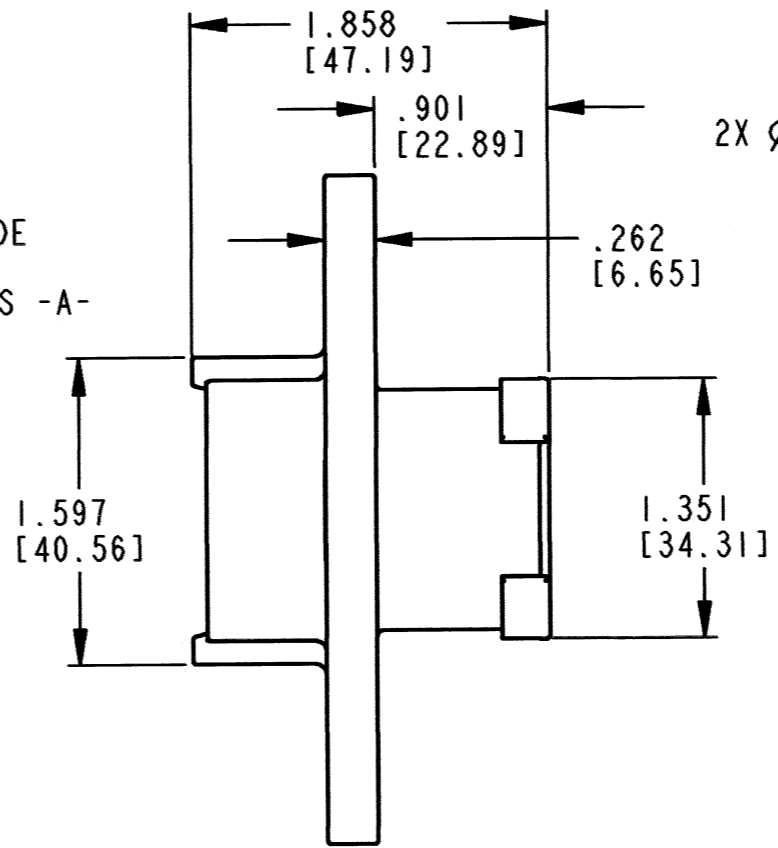
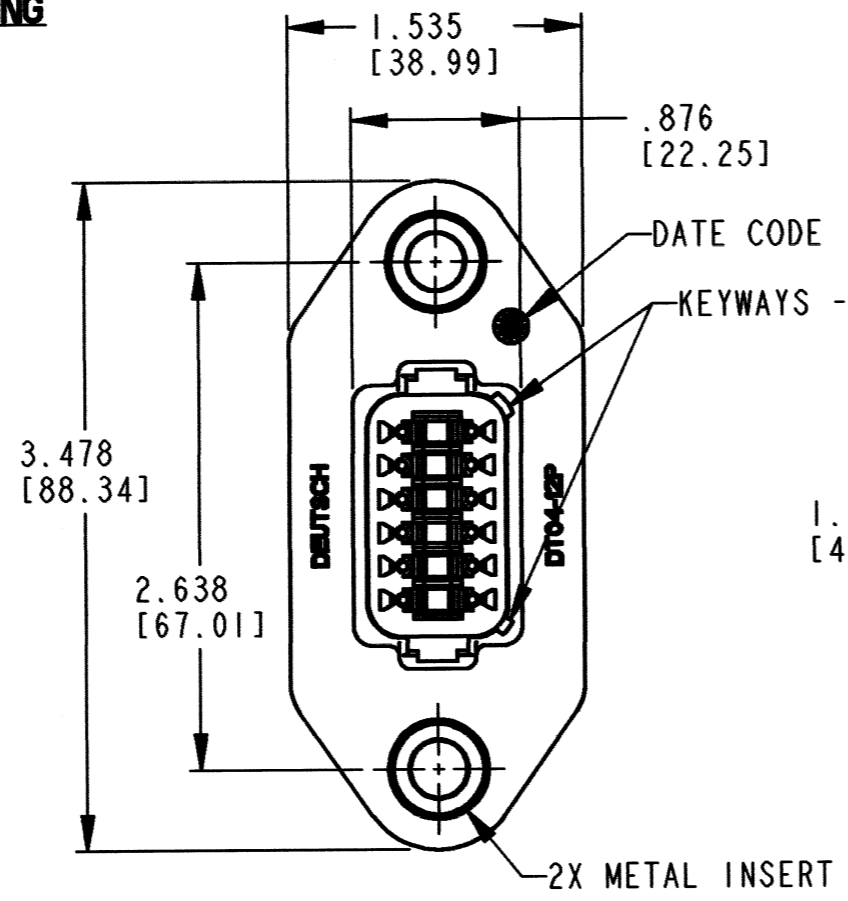
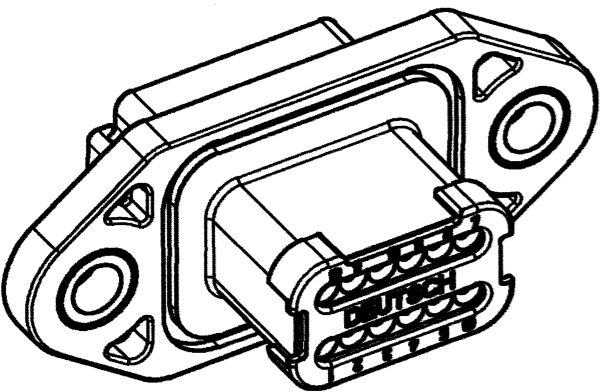
REV
B DT04-12PA-LE09

REVISIONS			
SYM	DESCRIPTION	DATE	APPROVED
NC	NEW RELEASE PER E.O. PI5860	12-22-98	R.D.R.
A	REDRAWN/REVISED PER E.O. PI9065	7-6-06	R.D.R.
B	REVISED PER E.O. P20545	9.30.10	SB

CONTACT SIZE	MIN. INSUL. O.D.	MAX. INSUL. O.D.	WIRE RANGE [mm ²] REF ONLY
16	.088 [2.24]	.145 [3.68]	14-20 AWG [2.0-0.5]

RECOMMENDED MOUNTING DETAIL

2X DRILL AND TAP BLIND HOLE FOR 1/4-20 FASTENER



6. FLANGE SEAL, P/N: 1013-003-1206, SUPPLIED SEPARATELY.

5. MATERIAL: SHELL: PLASTIC; GROMMET: RUBBER

4. THIS RECEPTACLE MATES WITH THE DT06-12SA-**** PLUG. (**** ALL MODIFICATIONS). CONSULT FACTORY FOR MODIFICATIONS.

3. FOR CONTACTS AND WIRE PERFORMANCE AND APPLICATION CHARACTERISTICS SEE ENVELOPE DRAWING 0425-015-0000 AND 0425-017-0000.

2. DIMENSIONS ARE ±.025 [.064] UNLESS OTHERWISE SPECIFIED.

NOTES: 1. DIMENSIONS ARE IN INCHES [MILLIMETERS].

SIGNATURE & DATE	
DR	A. MALAGON 28SEP05
CHK	[Signature] 2/2/10
PE	[Signature] 5/2/10
APPD	[Signature] 8.2.10
SCALE	NONE
WT	

12 WAY RECEPTACLE WITH FLANGE -LE09 MOD COLOR: BLACK DT SERIES

ENVELOPE

EP	MATL. CODE
3850 INDUSTRIAL AVE. HEMET, CA 92545	
B	DT04-12PA-LE09
DWG SIZE	CODE 11139 SHEET OF