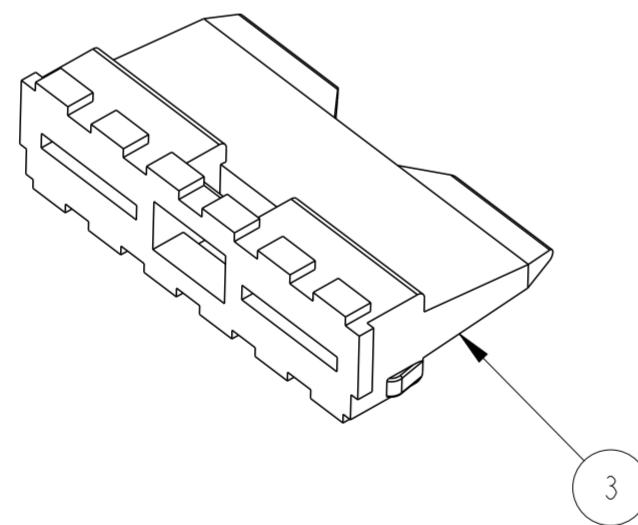
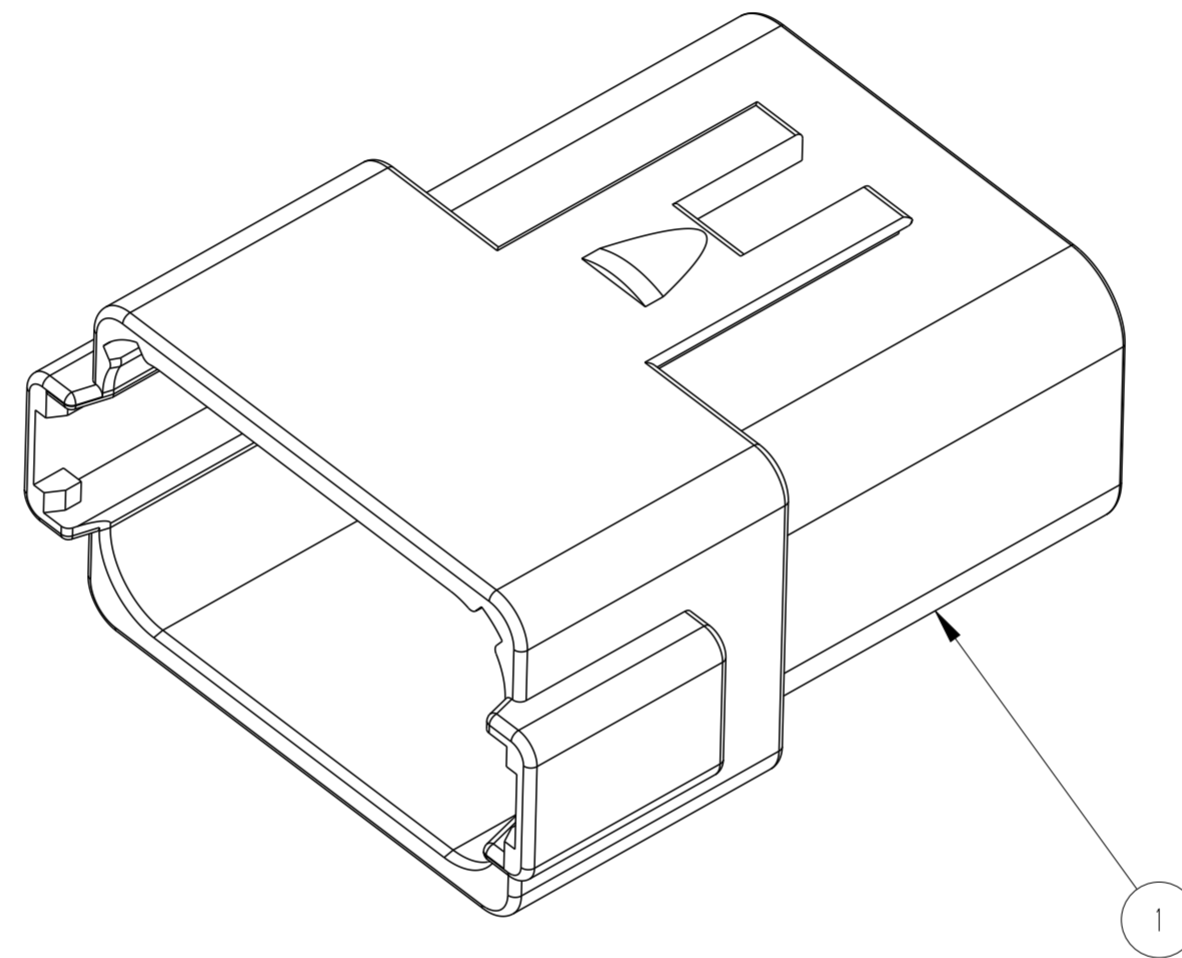
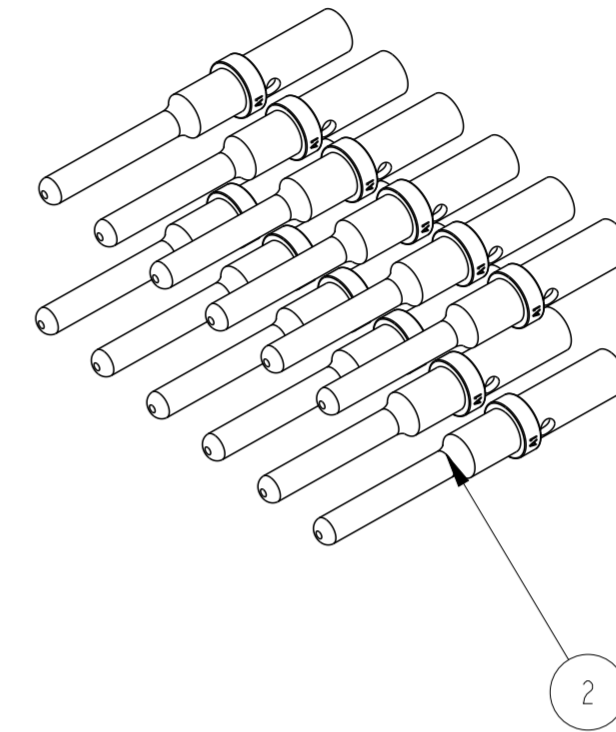


REVISIONS

P	LTR	DESCRIPTION	DATE	DWN	APVD
	A	INITIAL RELEASE	12FEB2020	AP	IG



QTY	PART NUMBER	DESCRIPTION	ITEM NO
1	WI2P	WEDGELOCK	3
12	0460-202-16141	PIN, SOLID, SIZE 16, 16-20AWG, NICKEL	2
1	DT04-12PA	DT 12P RECEPTACLE ASSEMBLY, KEY A	1
PARTS LIST			
- < REVISION OF EACH ASSY NO. (WHEN BLANK, USE DRAWING REVISION)			

THIS DRAWING IS A CONTROLLED DOCUMENT.		DWN A POLO 11FEB2020			
DIMENSIONS: INCHES		CHK I GRANICHAROVA 11FEB2020			
TOLERANCES UNLESS OTHERWISE SPECIFIED:		APVD I GRANICHAROVA 11FEB2020			
0 PLC ± 1 PLC ± 2 PLC ± 3 PLC ±.025 4 PLC ± ANGLES ± FINISH		PRODUCT SPEC 2	NAME DT04-12PA COMPLETE KIT W/ WEDGELOCK AND TERMINALS		
MATERIAL		APPLICATION SPEC 3	SIZE A2	CAGE CODE 00779	DRAWING NO C-DT04-12PA-COMPLETE
		WEIGHT 26.09	RESTRICTED TO -	SCALE 5:2	SHEET 1 OF 1
		CUSTOMER DRAWING	REV A		

3. APPLICATION SPECIFICATION: CONNECTOR: 114-151009
TERMINAL: 114-151004

2. PRODUCT SPECIFICATION: CONNECTOR: 108-151009
TERMINAL: 108-151004

1. WEDGELOCK, TERMINALS AND RECEPTACLE ASSEMBLY ARE SHIPPED UNASSEMBLED IN THE SAME BAG.

NOTES: