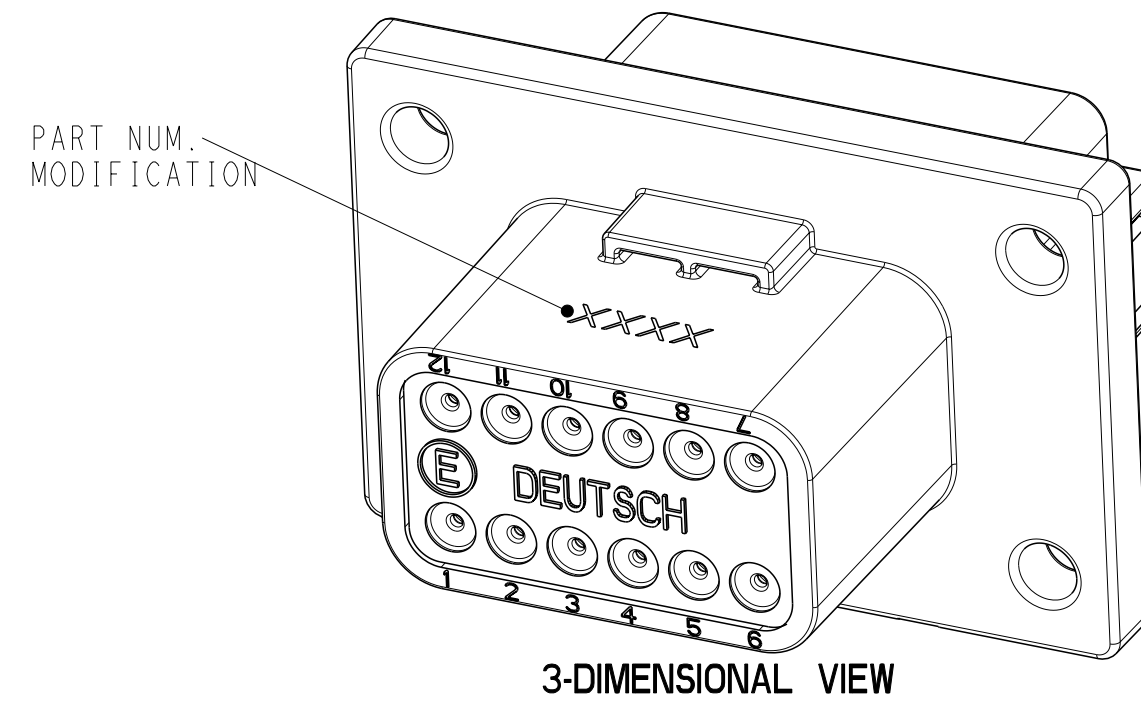
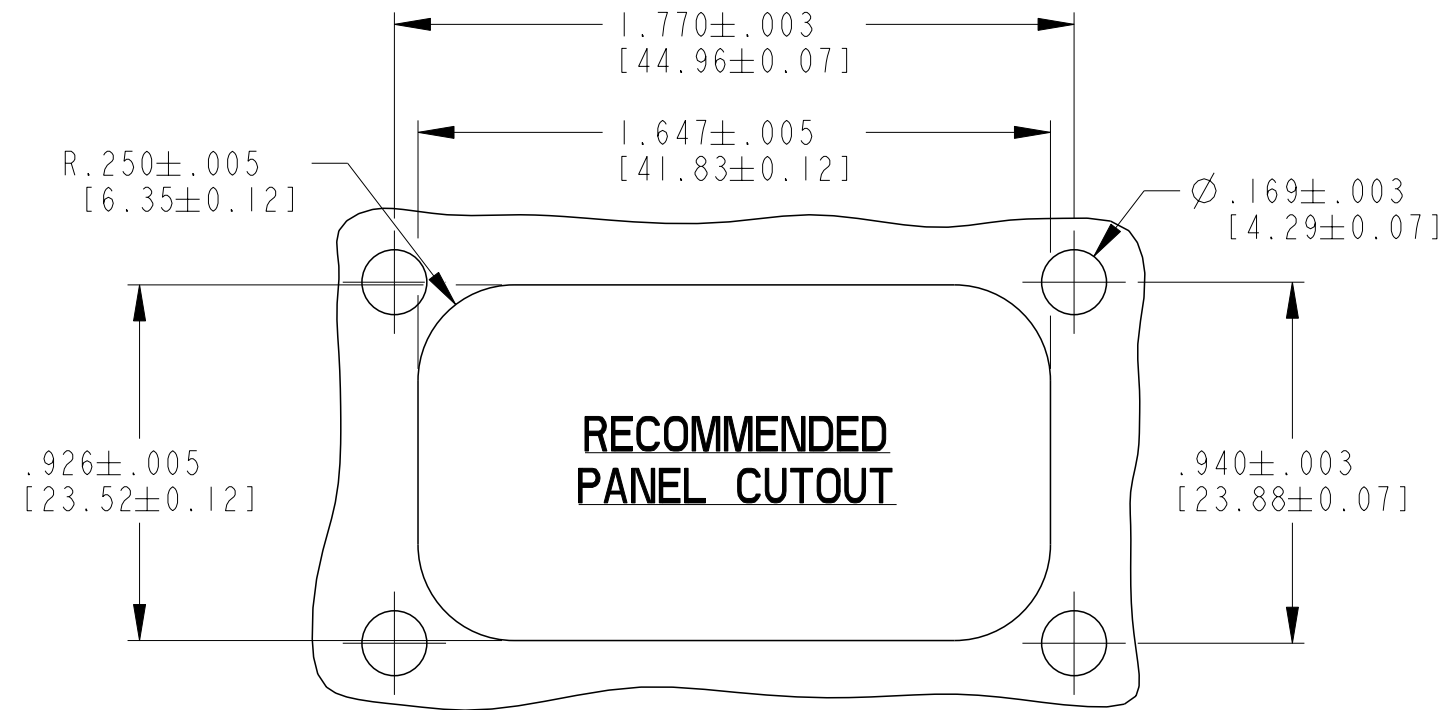
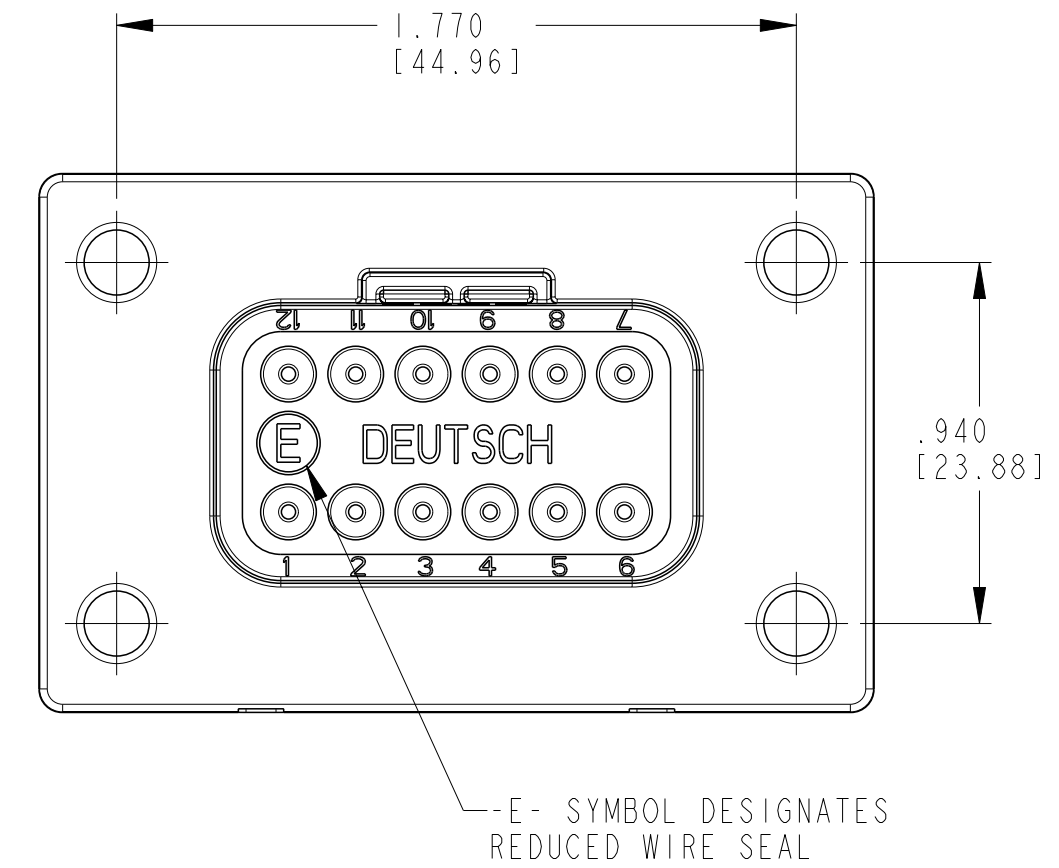
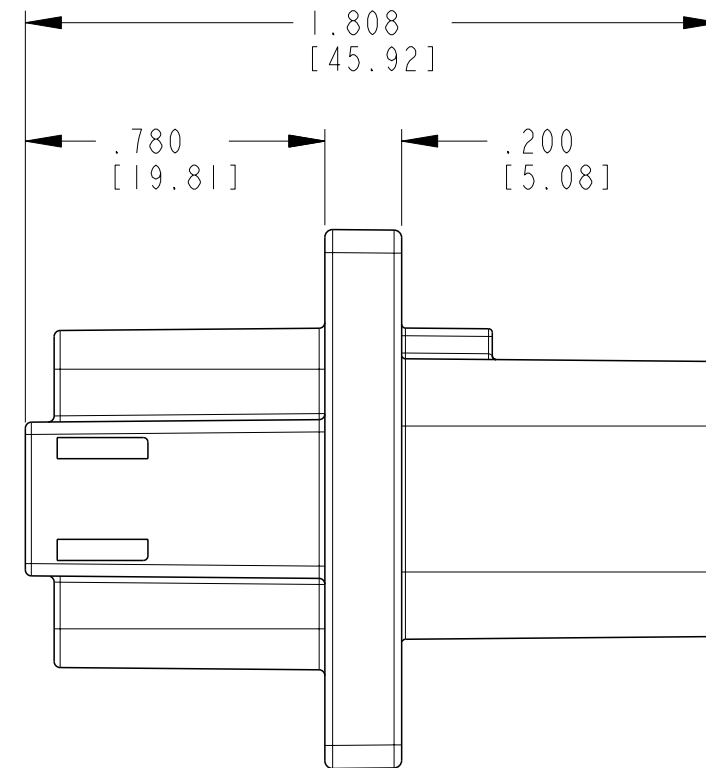
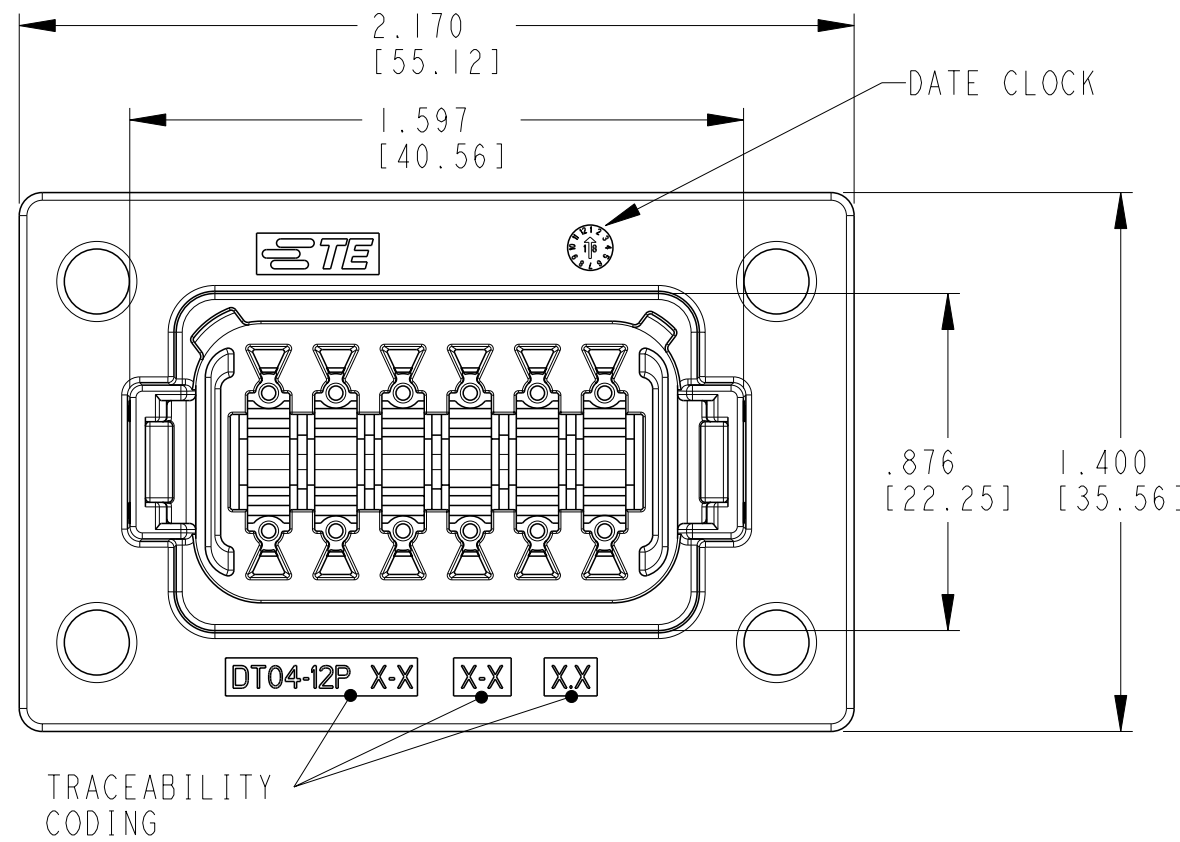


REVISIONS				
P	LTR	DESCRIPTION	DATE	APVD
A		REVISED PER E.O. 20438	18MAY10	RDR
B		REVISED PER E-20-009825	09JUL2020	PMV IG
B1		REVISED PER PCN-23-185791	11AUG2023	MR IG
B2		REVISED PER PCN-24-198437	24JAN2024	AJ CB



3-DIMENSIONAL VIEW



7. SECONDARY WEDGE LOCK SOLD SEPARATELY: W12P-XXXX. (XXXX = ALL MODIFICATIONS)

6. RECOMMENDED SCREW: 6-32 [M4]. RECOMMENDED TORQUE: 20-25 IN-LB [2.26-2.82 Nm].

5. MATERIAL - HOUSING: PA66 GF15 GROMMET: VMQ (BURNT RED)

4. THIS RECEPTACLE MATES WITH DT06-12SA-XXXX PLUG. (A KEY; XXXX = ALL MODIFICATIONS) CONSULT FACTORY FOR MODIFICATIONS.

3. FOR CONTACT AND WIRE PERFORMANCE AND APPLICATION CHARACTERISTICS, SEE ENVELOPE DRAWING 0425-015-0000

2. DELETED

NOTES: 1. DELETED

CONTACT SIZE	MIN. INSUL. O.D.	MAX. INSUL. O.D.	WIRE RANGE [mm <sup>2</sup> ]
16	.053 [1.35]	.120 [3.05]	14-20 AWG [2.0-0.5]

THIS DRAWING IS A CONTROLLED DOCUMENT.

DWN	R. MESSENGER	22MAY2008
CHK	R. MCCORD	14MAY2010
APVD	S. BEARD	04MAY2010

TE Connectivity

12 WAY RECP E SEAL, FLANGE COLOR: BLACK, DT SERIES

SIZE	CAGE CODE	DRAWING NO	RESTRICTED TO
A2	00779	DT04-12PA-CL15	

CUSTOMER DRAWING SCALE 2:1 SHEET 1 OF 1 REV B2

Printed on 24 Jan 2024 16:09 (Eastern Standard Time) from TE354946