

REVISIONS				
P	LTN	DESCRIPTION	DATE	APPV
A		INITIAL RELEASE PER E-21-003453	16DEC2021	AP 1G
A1		REVISED PER PCN-22-154423	30SEP2022	AM 1G
B		REVISED PER PCN-23-192205	05FEB2024	RK CB

FIGURE 1

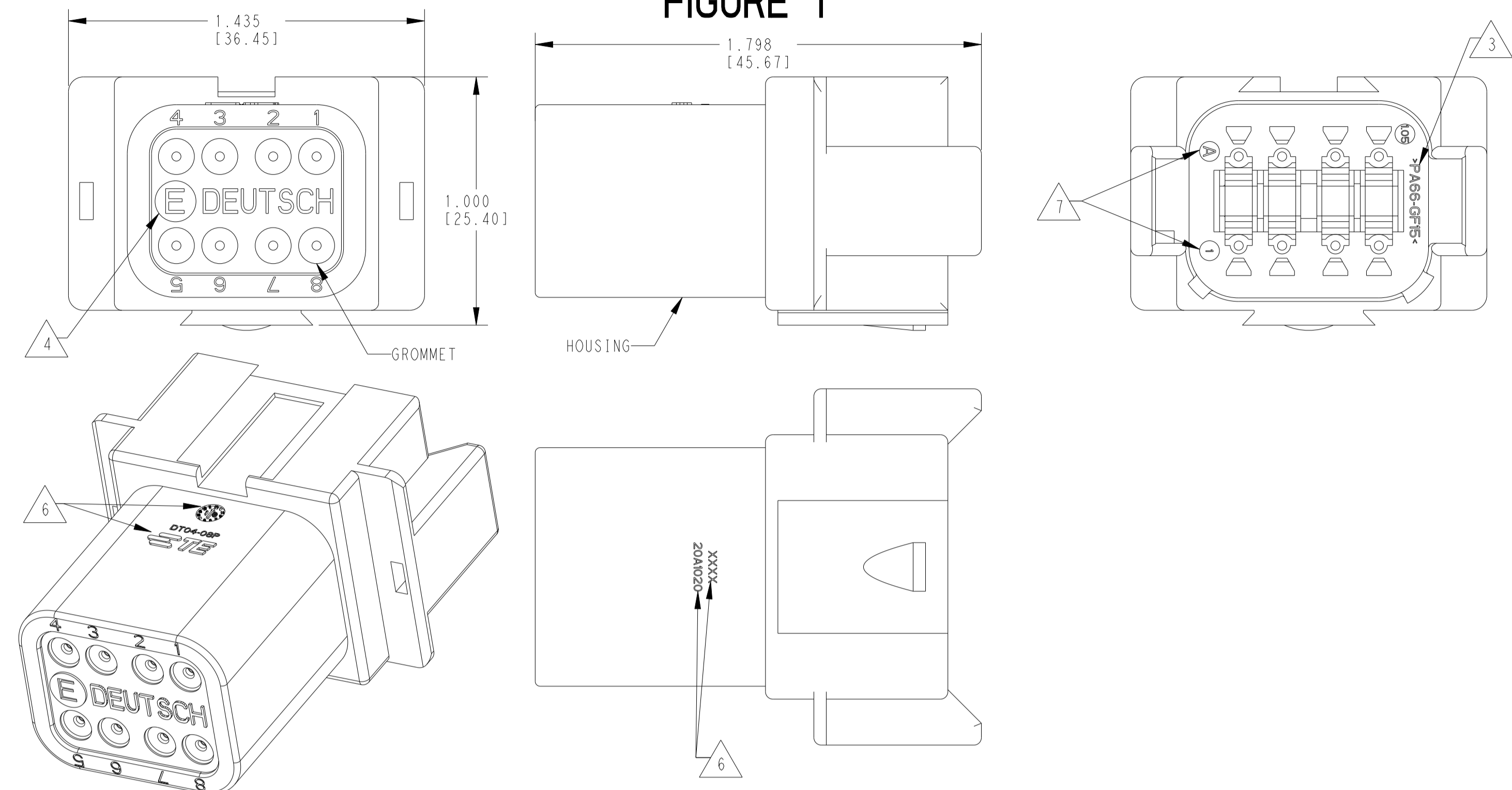


FIGURE 2 SHORT CAP

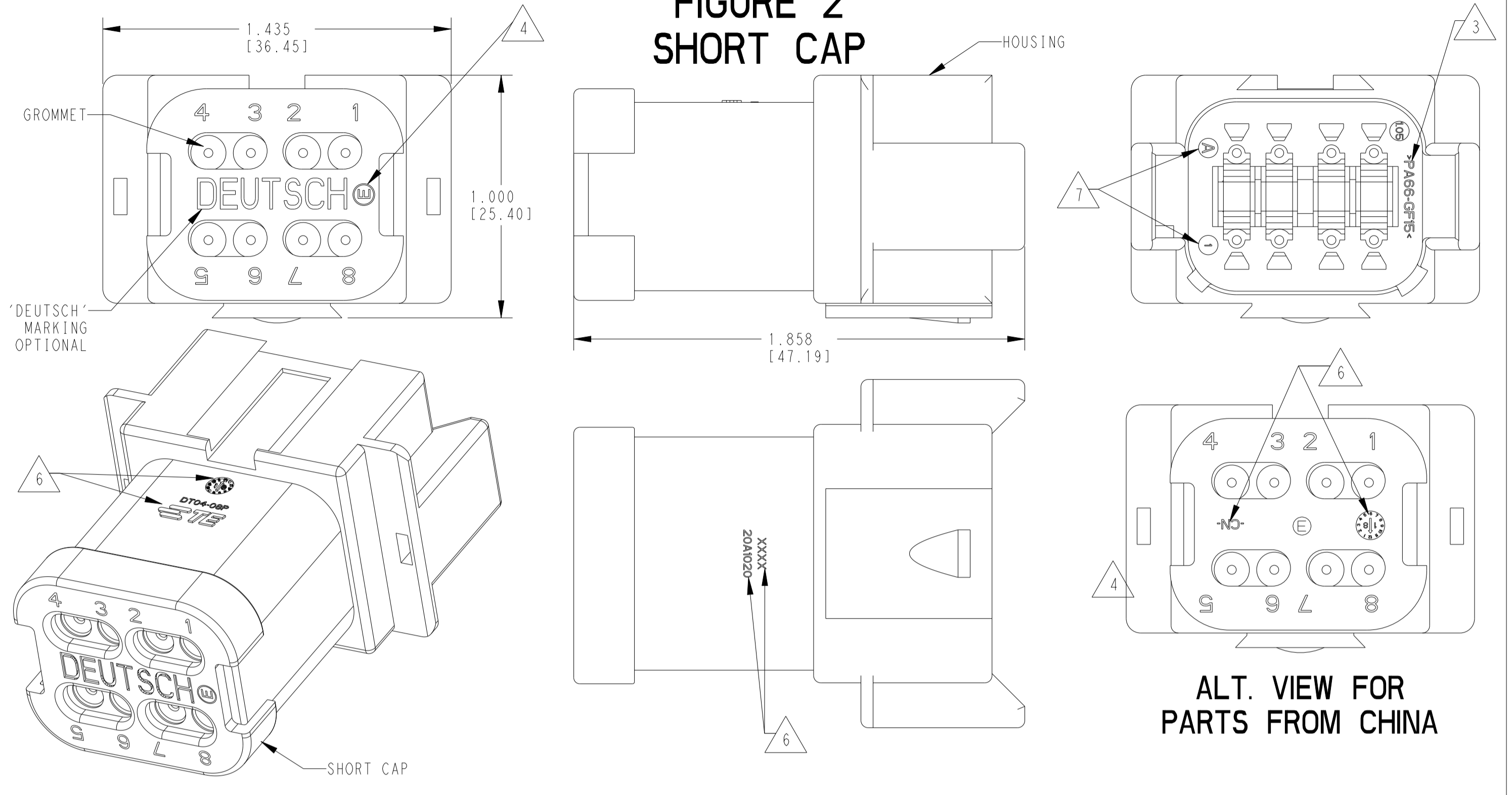
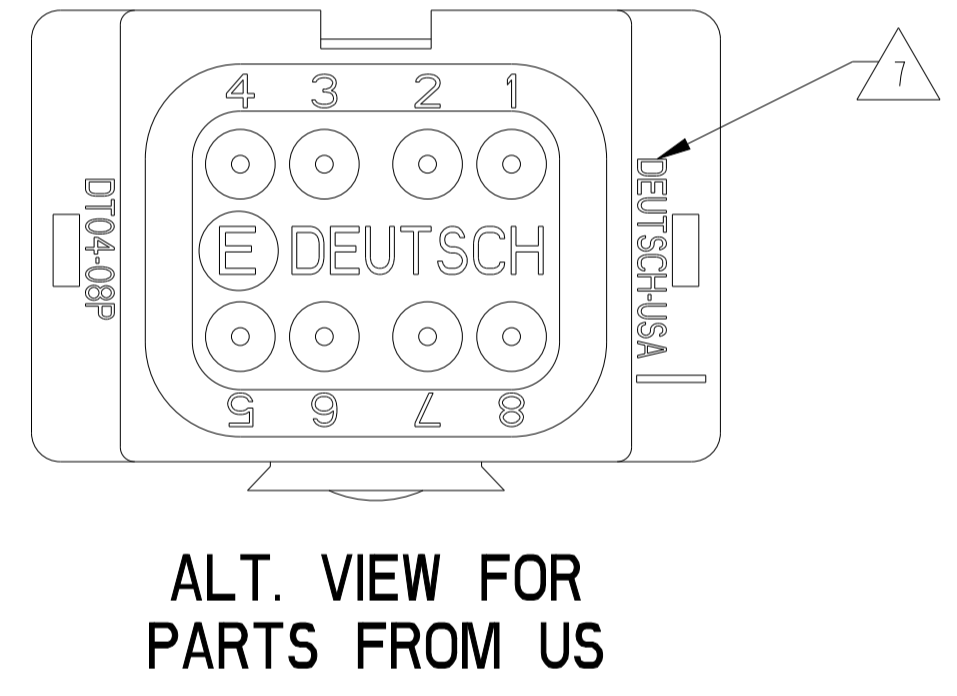
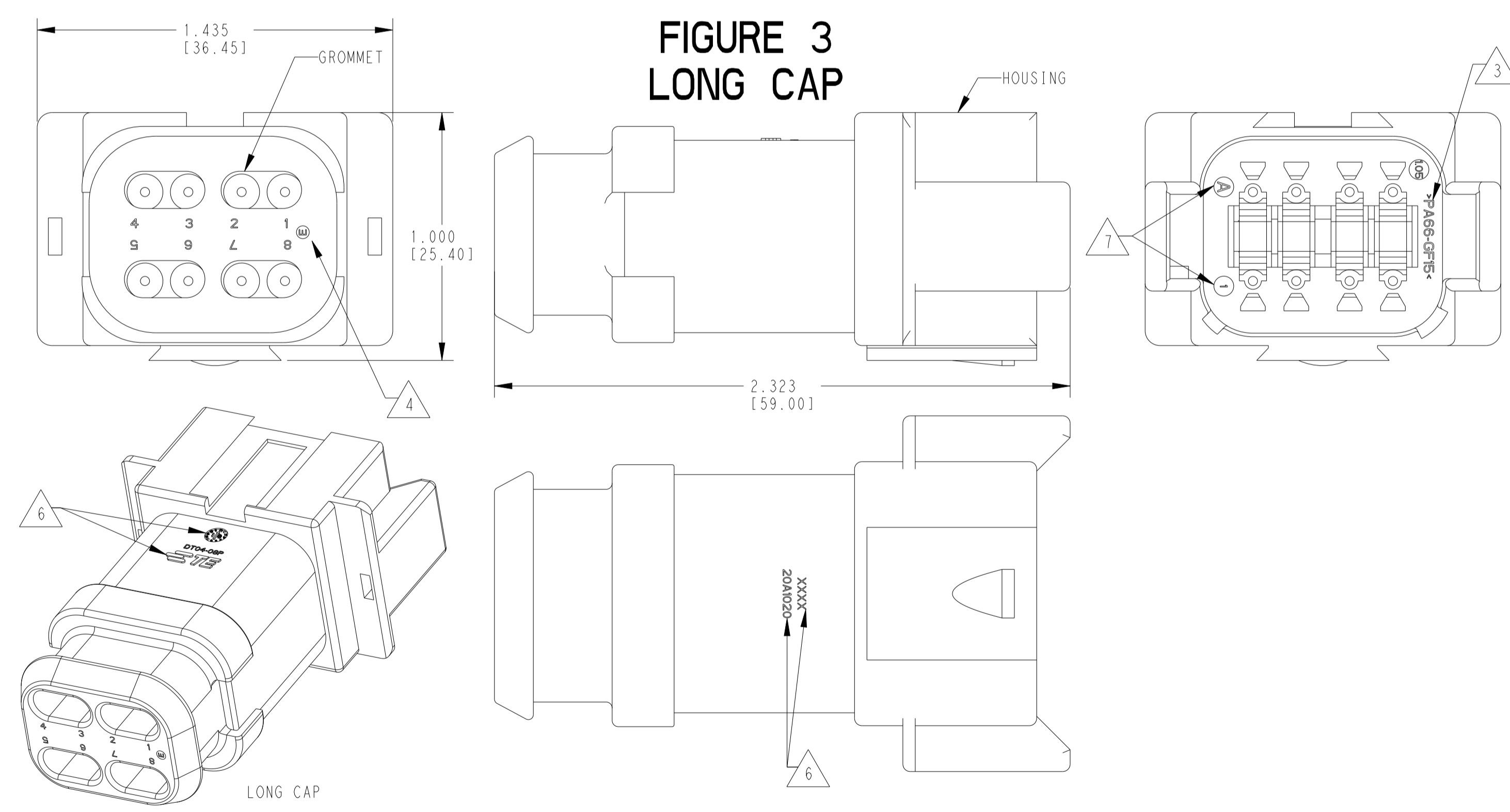


FIGURE 3 LONG CAP



ALT. VIEW FOR PARTS FROM CHINA

ALT. VIEW FOR PARTS FROM US

CONTACT SIZE	WIRE RANGE	INSULATION OD SEALING RANGE	SEAL IDENTIFICATION
16	14-20 AWG [2.5-0.5mm ²]	.088-.145 [2.23-3.68] .053-.120 [1.35-3.05]	STANDARD SEAL EXTRA THIN SEAL E-SEAL

TE INTERNAL PART NUMBER	DEUTSCH PART NUMBER	PN REV	HOUSING COLOR	STANDARD SEAL	EXTRA THIN SEAL E-SEAL	BLOCKED SEAL	SHORT CAP	LONG CAP	FIGURE
DT04-08PX	DT04-08PX	A	ALL	X					1
DT04-08PX-C015	DT04-08PX-C015	F	ALL		X				1
DT04-08PX-C017	DT04-08PX-C017	B	ALL			X	X		2
DT04-08PX-CE01	DT04-08PX-CE01	D	ALL		X		X		2
DT04-08PA-CE02	DT04-08PA-CE02	B	BLACK		X				1
DT04-08PA-CE03	DT04-08PA-CE03	B	BLACK		X		X		2
DT04-08PA-CE04	DT04-08PA-CE04	C	GRAY		X			X	3
DT04-08PA-CE09	DT04-08PA-CE09	AC	BLACK		X			X	3
DT04-08PA-CE26	DT04-08PA-CE26	A	BLACK			X	X		2
DT04-08PX-E003	DT04-08PX-E003	B	ALL	X			X		2
DT04-08PA-E004	DT04-08PA-E004	A	BLACK	X					1
DT04-08PA-E005	DT04-08PA-E005	A	BLACK	X			X		2
DT04-08PX-E008	DT04-08PX-E008	B	ALL	X				X	3
DT04-08PA-EE01	DT04-08PA-EE01	A	BLACK	X				X	3
DT04-08PX-EP04	DT04-08PX-EP04	D	ALL	X			X		2
DT04-08PX-P004	DT04-08PX-P004	C	ALL	X					1

- △ 4. "E" IDENTIFIES E-SEAL, LOCATED APPROX. AS SHOWN.
- △ 3. MATERIAL: HOUSING: PA66 GF15, SEE TABLE FOR COLOR
SHORT, LONG CAP: PA66 GF15, BLACK
GROMMET: E-SEAL VMO (BURNT ORANGE)
N-SEAL VMO (RED-ORANGE)
BLOCKED VMO (RED-ORANGE)
2. THIS RECEPTACLE MATES WITH DT06-08SX-XXXX PLUG (X = A,B,C,D KEY, XXXX = ALL MODIFICATIONS)
1. SECONDARY WEDGE LOCK SOLD SEPARATELY: W8P-XXXX. (XXXX = ALL MODIFICATIONS)
- NOTES: UNLESS OTHERWISE SPECIFIED
- △ 6. MARKING FOR PARTS PRODUCED IN CHINA:
-XXXX IDENTIFIES THE MODIFICATION NUMBER, IF APPLICABLE. EXAMPLE: "E003" FOR DT04-08PA-E003, OR BLANK FOR DT04-08PA
-DATE CODE: IDENTIFIES THE YEAR, MONTH, DAY AND HOUR OF ASSEMBLY.
YEAR: FIRST AND SECOND DIGIT. (17 = 2017)
MONTH: THIRD DIGIT, EXCLUDING 1. A = JAN, B = FEB, C = MARCH ... (K = OCTOBER)
DAY: FOURTH AND FIFTH DIGITS (14 = 14th DAY)
HOUR: SIXTH AND SEVENTH DIGITS (11 = 11AM)
-DIAL DATE CODE LOCATED ON HOUSING AND/OR CAP.
-CN LOCATED ON HOUSING AND/OR CAP.
5. FOR CONTACT AND WIRE PERFORMANCE AND APPLICATION CHARACTERISTICS SEE CUSTOMER DRAWING 0425-015-0000.

- △ 7. MARKING FOR PARTS PRODUCED IN US:
-DATE CODE:
YEAR TO BE LAST NUMERICAL DIGIT, EX: 1 = 2021
MONTH USES SEQUENTIAL ALPHA CHARACTERS, EX: A = JANUARY
-DEUTSCH

THIS DRAWING IS A CONTROLLED DOCUMENT.

DIMENSIONS: IN [mm]

TOLERANCES UNLESS OTHERWISE SPECIFIED:
0 PLC ±
1 PLC ±
2 PLC ±
3 PLC ±.025 (0.64)
4 PLC ±
ANGLES ±0°30'0"

MATERIAL: 3

APPROVED: A. POLO 16DEC2021
CHK: R. MESSENGER
APVD: J. GRANICHAROVA 16DEC2021
PRODUCT SPEC: 108-151009
APPLICATION SPEC: 114-151009
WEIGHT: 0.114

CUSTOMER DRAWING

NAME: 8 WAY RECEPTACLE, STANDARD SEAL EXTRA THIN SEAL, SHORT AND LONG CAP, DT SERIES
SIZE: 4FU8
CAGE CODE: DT04-08PX-XXXX
RESTRICTED TO: B

SCALE: 5:2 SHEET 1 OF 2 REV B

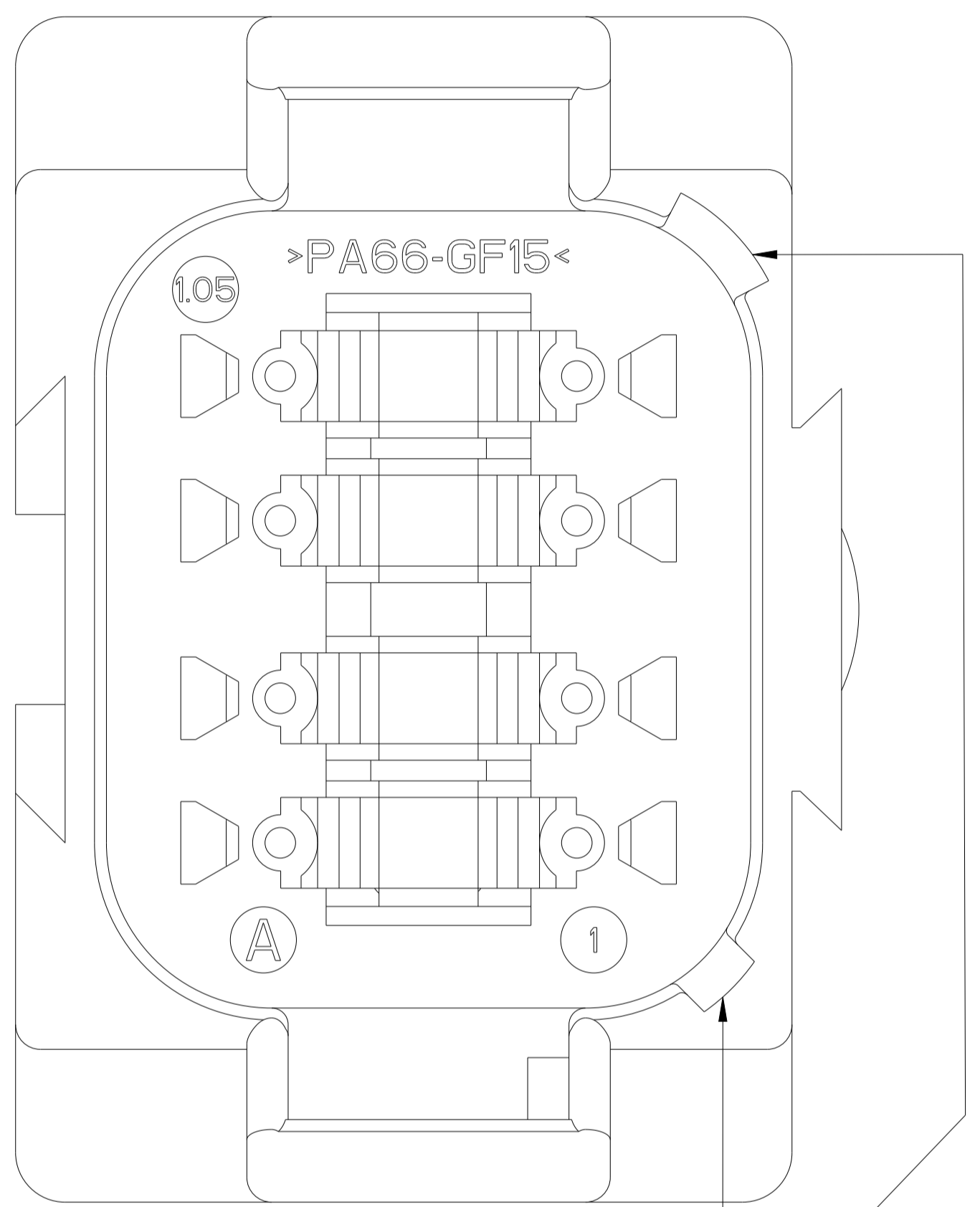
REVISIONS				
P	LTN	DESCRIPTION	DATE	APVD
-		SEE SHEET 1	-	-

DT04-08PA-XXXX
 KEY -A-
 HOUSING COLOR: GRAY
 SEE PN TABLE FOR BLACK PNs

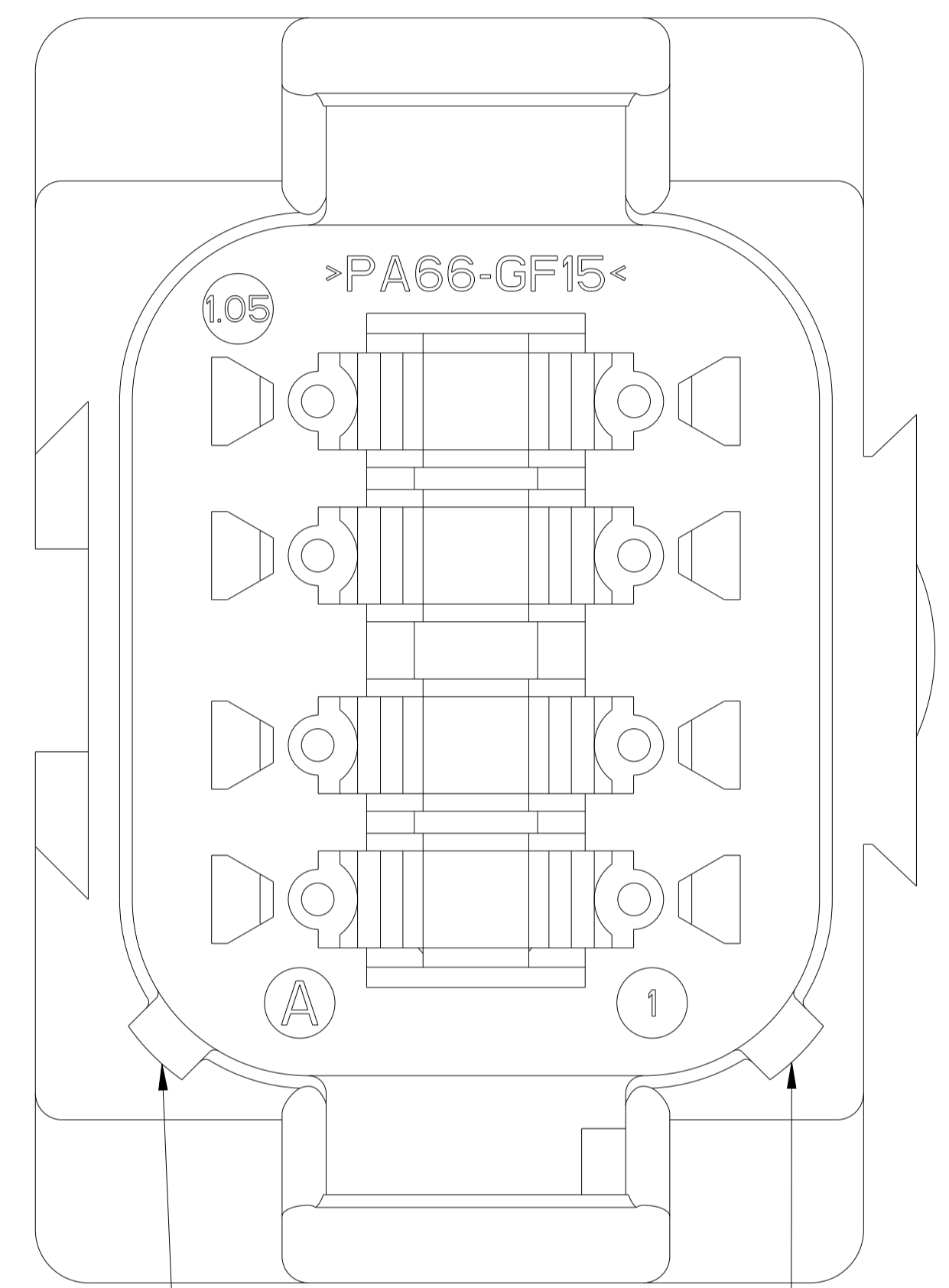
DT04-08PB-XXXX
 KEY -B-
 HOUSING COLOR: BLACK

DT04-08PC-XXXX
 KEY -C-
 HOUSING COLOR: GREEN

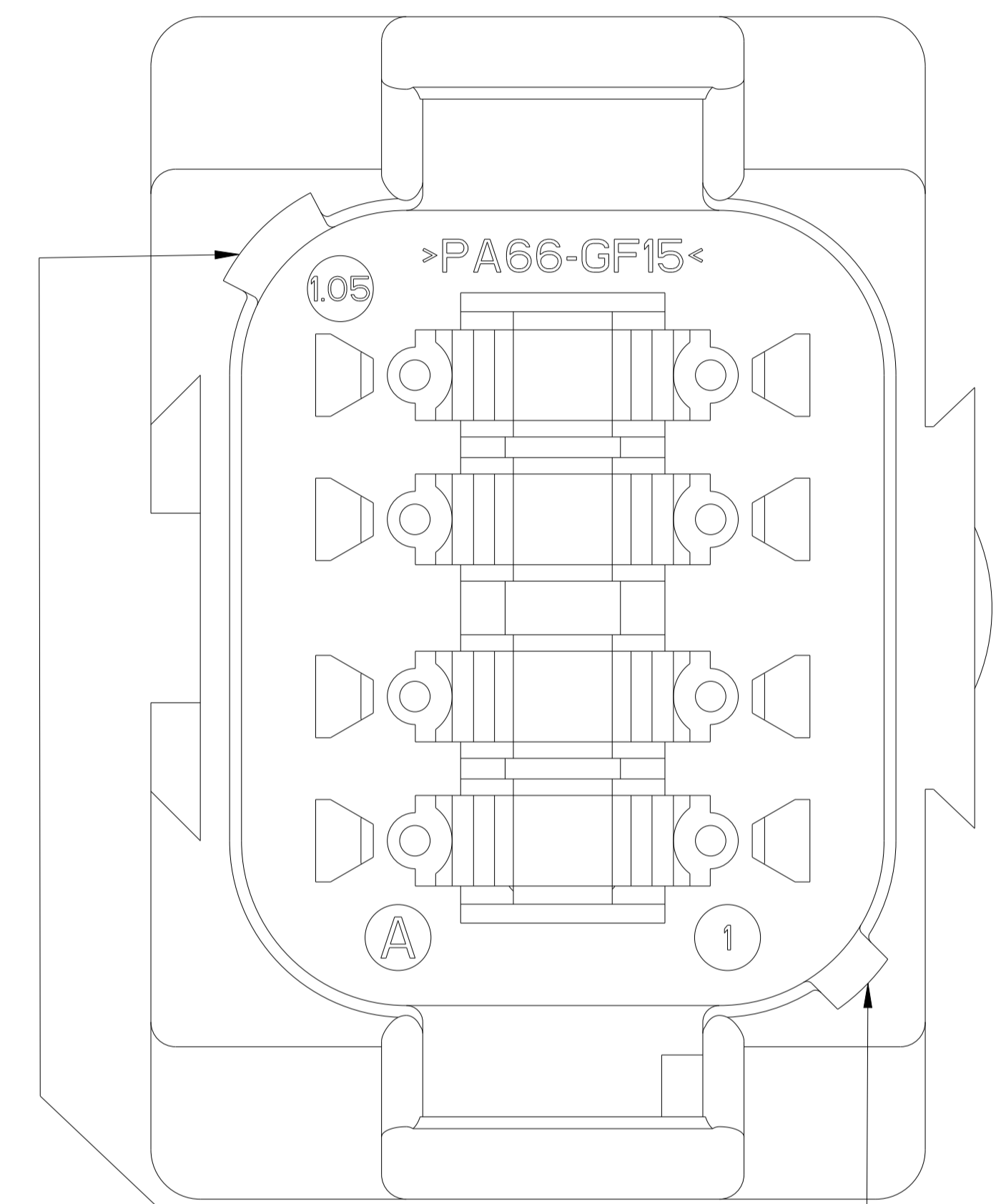
DT04-08PD-XXXX
 KEY -D-
 HOUSING COLOR: BROWN



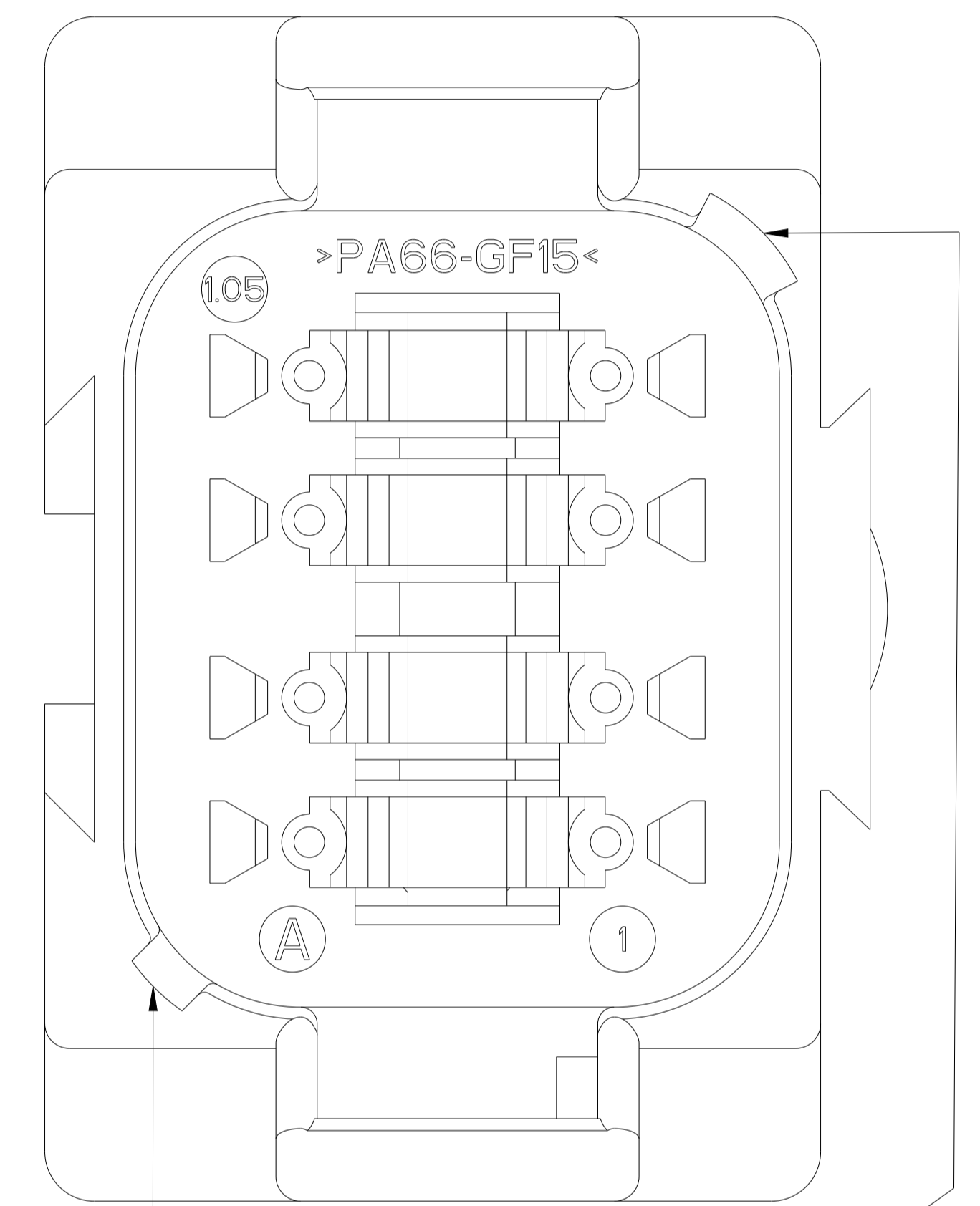
KEY -A-



KEY -B-



KEY -C-



KEY -D-

THIS DRAWING IS A CONTROLLED DOCUMENT.		DWN A. POLO 16DEC2021	
		CHK R. MESSENGER 16DEC2021	
DIMENSIONS: IN [mm]	TOLERANCES UNLESS OTHERWISE SPECIFIED:	APVD J. GRANICHAROVA 16DEC2021	NAME 8 WAY RECEPTACLE, STANDARD SEAL EXTRA THING SEAL, SHORT AND LONG CAP, DT SERIES
0 PLC ±	1 PLC ±	PRODUCT SPEC	SIZE
2 PLC ±	3 PLC ±0.25 (0.64)	APPLICATION SPEC	CAGE CODE
4 PLC ±	ANGLES ±0°30'0"	114-151009	DRAWING NO
MATERIAL	FINISH	WEIGHT	RESTRICTED TO
3			A 4AFU8 ©=DT04-08PX-XXXX
CUSTOMER DRAWING		SCALE 6:1	SHEET 2 OF 2 REV B