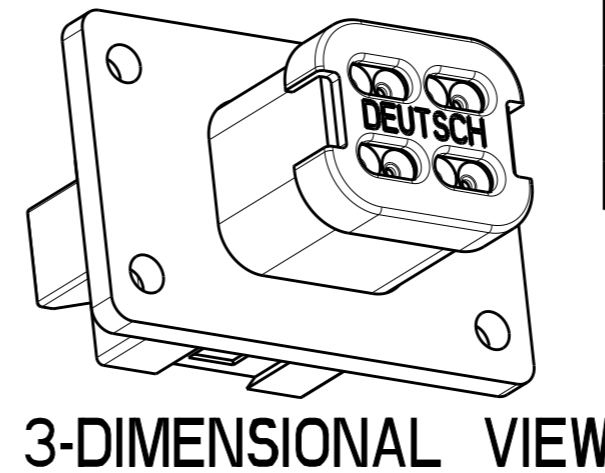
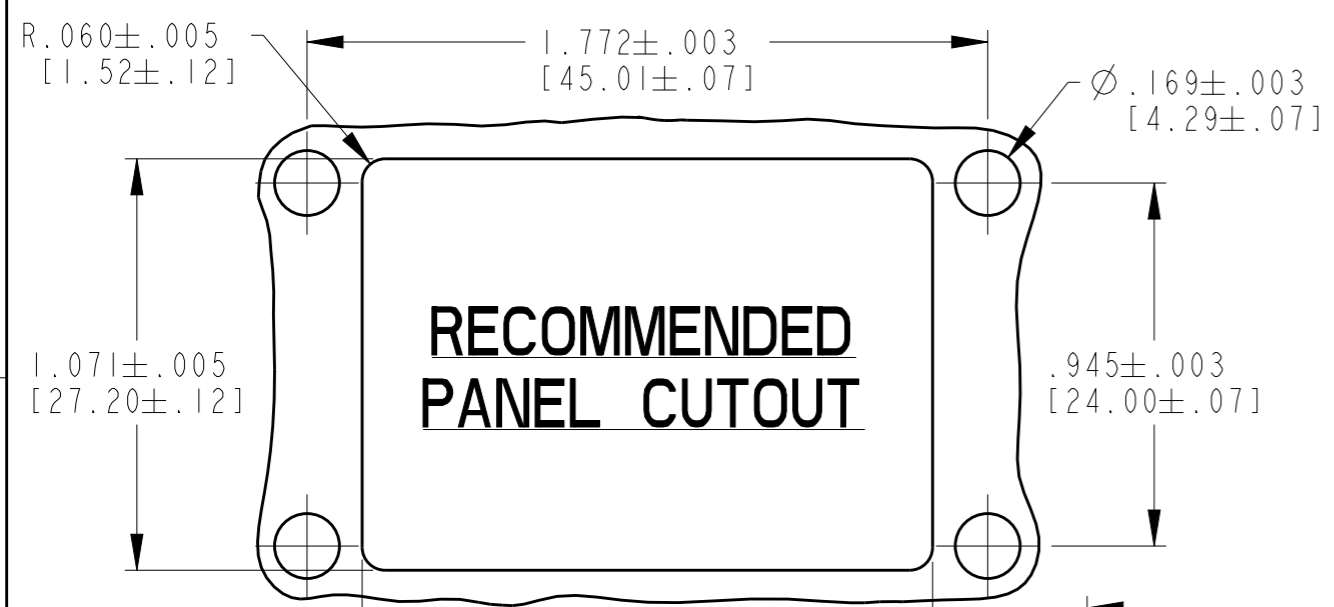
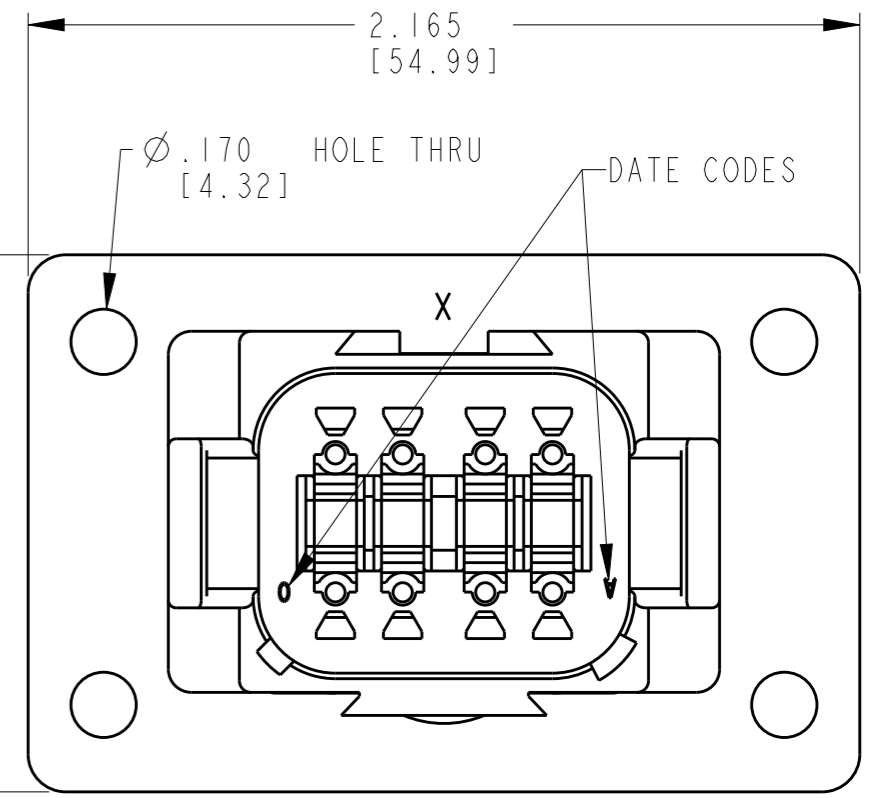
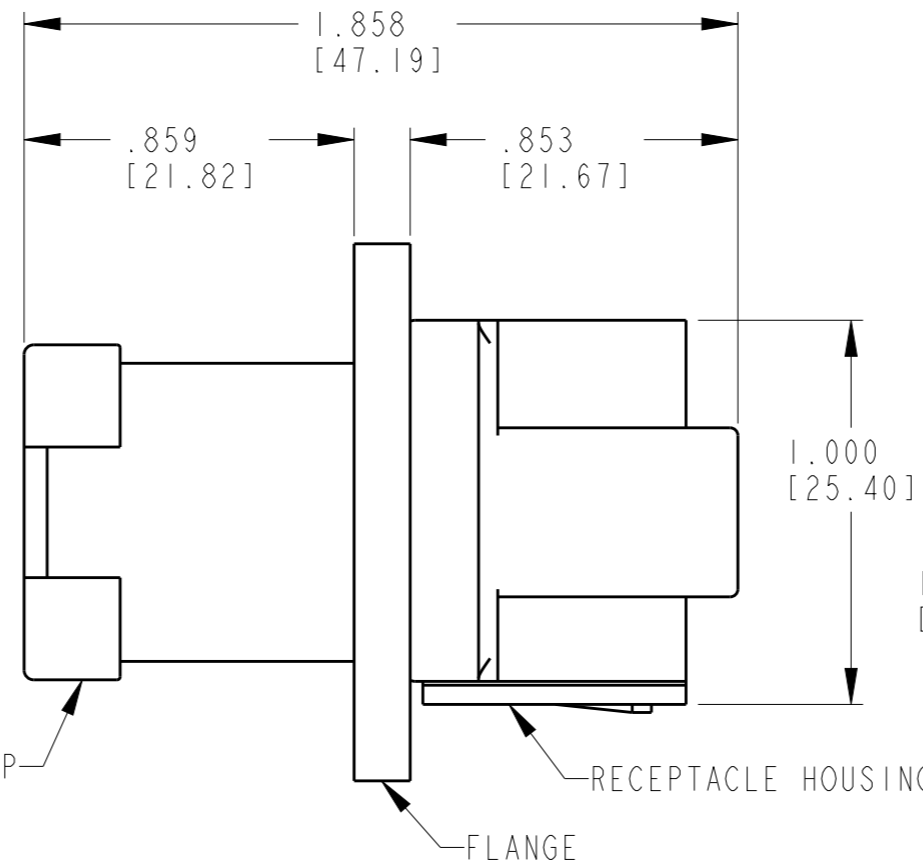
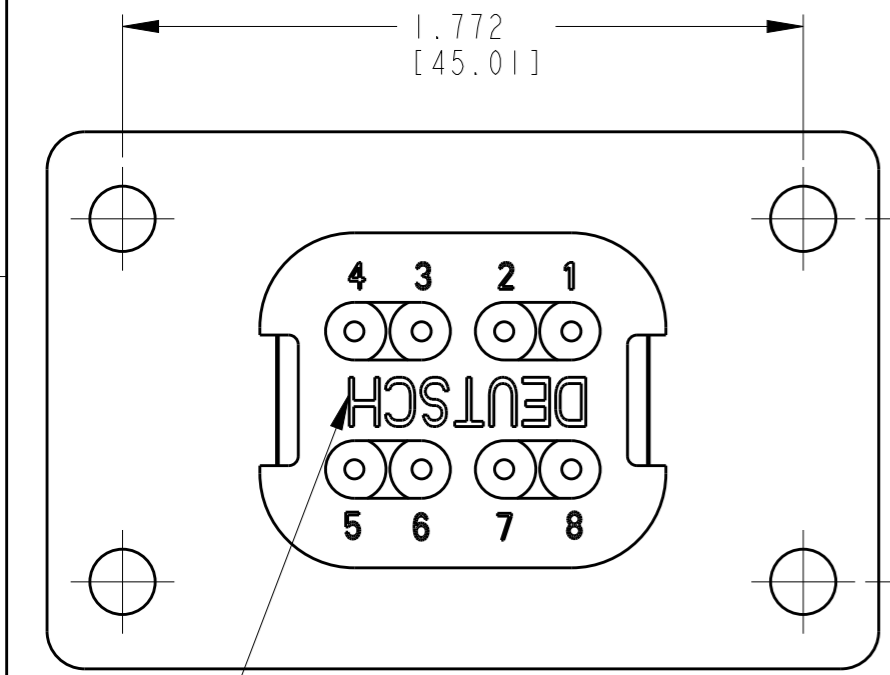


P	LTR	DESCRIPTION	DATE	DWN	APVD
	B1	REVISED PER PCN E-17-017147	16NOV2017	SS	DM



CONTACT SIZE	MIN. INSUL O.D.	MAX. INSUL O.D.	WIRE RANGE [mm <sup>2</sup> ]
16	.088 [2.23]	.145 [3.68]	14-20 AWG [2.0-0.5]



-DATE CODE-  
 MONTH IS REPRESENTED BY SEQUENTIAL ALPHA CHARACTERS.  
 EX: A=JANUARY  
 YEAR IS REPRESENTED BY LAST DIGIT. EX: 0=2010.

3. MATERIAL: HOUSING, CAP, FLANGE: PA66 GF15 (BLACK)  
 GROMMET: VMQ (RED-ORANGE)
2. THIS RECEPTACLE MATES WITH DT06-08SA-XXXX (XXXX = ALL MODIFICATIONS). CONSULT FACTORY FOR MODIFICATIONS.
1. FOR CONTACTS AND WIRE PERFORMANCE AND APPLICATION CHARACTERISTICS SEE ENVELOPE DRAWING 0425-015-0000.

NOTES:

TE INTERNAL PN	DEUTSCH PN
DT04-08PA-LE11	DT04-08PA-LE11

THIS DRAWING IS A CONTROLLED DOCUMENT.		DWN S. THEIS 22MAY2000	TE Connectivity	
DIMENSIONS: INCHES [MM]		CHK I. GRANTCHAROVA 13JUN2008		
TOLERANCES UNLESS OTHERWISE SPECIFIED:		APVD S. BEARD 11JUN2008	NAME 8 WAY RECEPTACLE W/ FLANGE AND WELD CAP -A- KEY COLOR: BLACK DT SERIES	
0 PLC ± 1 PLC ± 2 PLC ± 3 PLC ±.025[0.63] 4 PLC ± ANGLES ±0°30'0"		PRODUCT SPEC 108-151009	SIZE A3	
MATERIAL 3		APPLICATION SPEC 0425-017-0000	CAGE CODE 4AFU8	DRAWING NO DT04-08PA-LE11
FINISH -		WEIGHT 24.67 G	RESTRICTED TO -	
		CUSTOMER DRAWING	SCALE 1:1	SHEET 1 OF 1 REV B1