

## Technical Data

### Construction

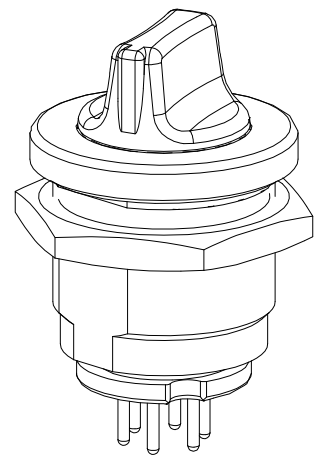
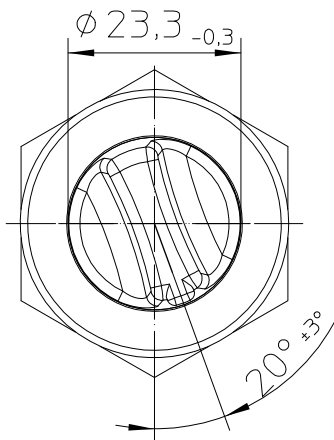
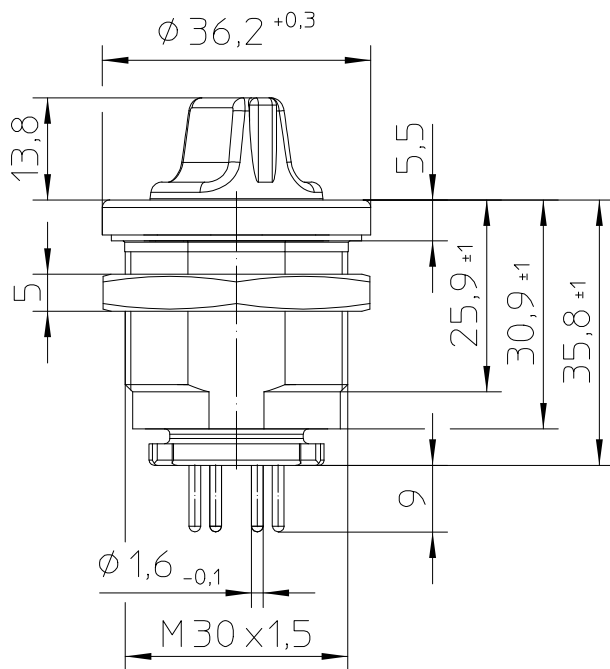
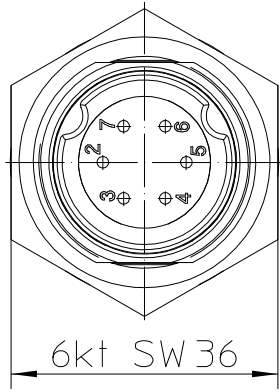
Socket material ..... PA black  
 Button material ..... PA red  
 Protection interior ..... IP6K9K IEC 60529  
 connector..... IP00 IEC 60529  
 Max. torque ..... max. 6 Nm  
 Weight ..... approx. 30g

### Mechanical Data

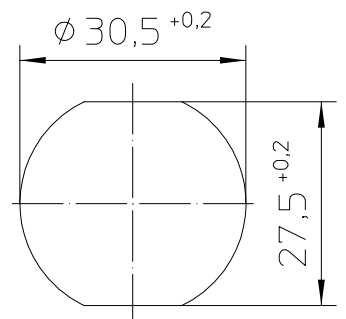
Contact travel..... 40 ±3°  
 Operating force..... 25 ±5N  
 Actuation force..... 40N  
 Current carrying parts ..... Cu-alloy  
 Contact material ..... Ag-alloy  
 Mechanical life ..... 100 000 cycles  
 Temperature Range ..... -40°C to +90°C

### Electrical Data

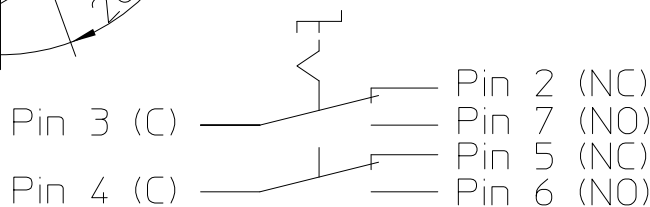
Voltage Range ..... 9VDC to 32VDC  
 Electrical load ..... 10mA to 5A



### Mounting Dimensions



### Circuit



	Date	Name	mm	Scale		Drawing No:
Drawn	29.11.2017	Baumg	↔	1:1		DS-222-RT1
Check	05.07.2018	Baumg	General Tolerances DIN ISO 2768 cL			NSN: