

Technical Data

Construction

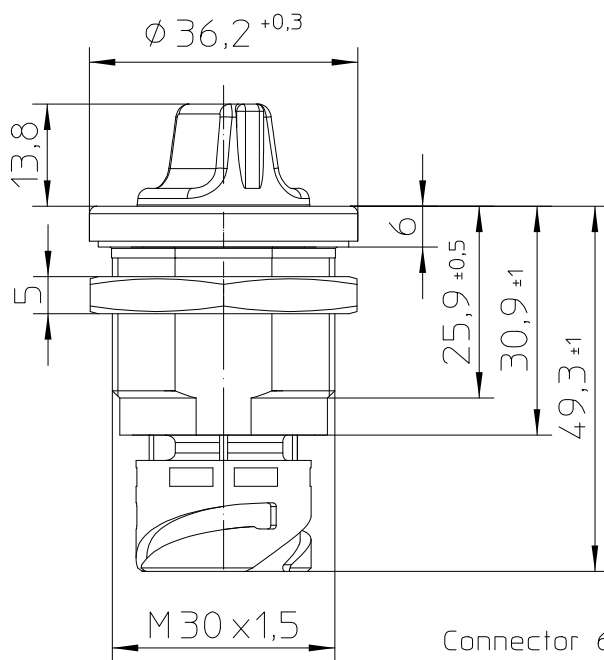
Material, housing PA, black
 Material, button PA red
 Protection interior IP6K9K IEC 60529
 connector..... IP00 IEC 60529
 Torque max. 6 Nm
 Weight 32g

Mechanic Data

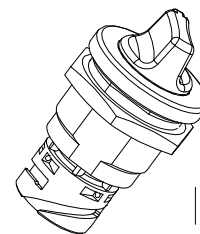
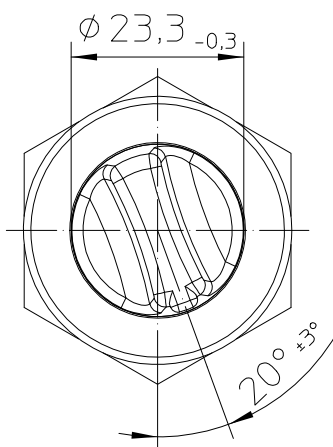
Contact travel 40 ±3°
 Operating force 25 ±5N
 Actuation force 40N
 Current carrying parts..... Cu alloy
 Contact material Ag alloy
 Mechanical life 100 000 cycles
 Temperature range -40°C to +90°C

Electrical Data

Voltage range 9VDC to 32VDC
 Resistive load 10mA to 5A



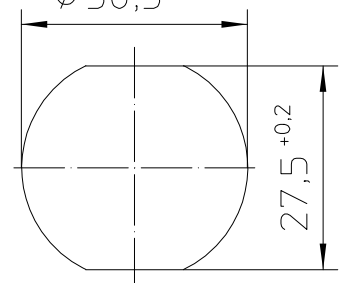
Connector 6-pol
DIN 72585 / ISO 15170



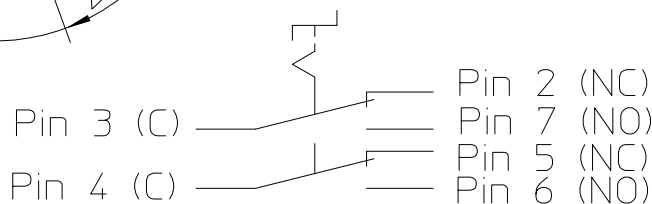
ISO 1:2

Mounting

Ø 30,5 ±0.2



Circuit



	Date	Name	mm	Scale		Drawing No:
Drawn	03.05.2013	Mielk	↔	1:1		DS-221-RT1
Check	05.07.2018	Baumg	General Tolerances DIN ISO 2768 cL		NSN:	