

## Technical Data

### Construction

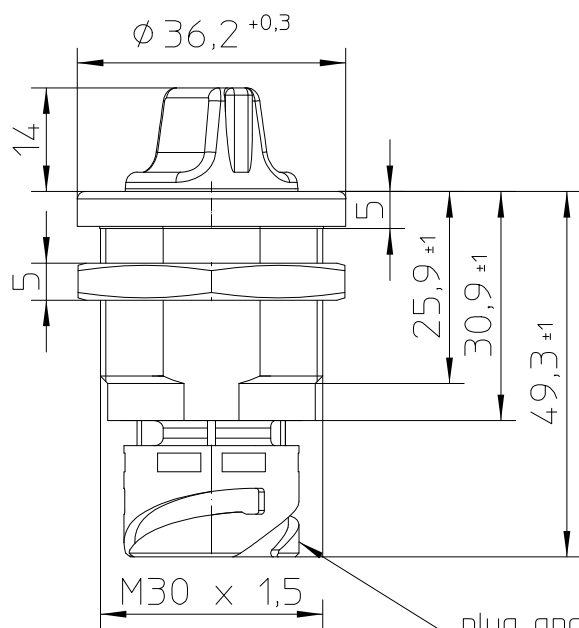
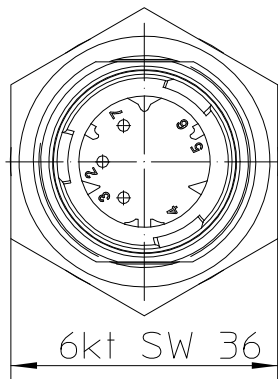
Socket material ..... PA black  
 Knob material ..... PA yellow  
 Protection interior..... IP6K9K IEC 60529  
 connector..... IP00 IEC 60529  
 Max. torque ..... max. 6 Nm  
 Weight ..... approx. 35g

### Mechanical Data

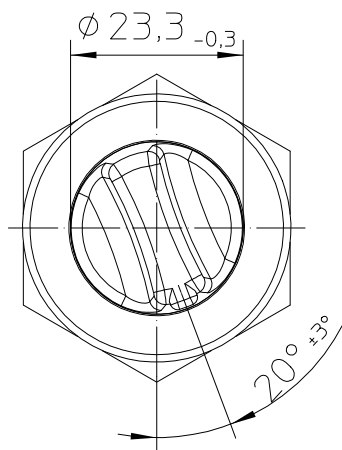
Contact travel..... 40 ±3°  
 Operating force..... max. 40N  
 Current carrying parts ..... Cu-alloy  
 Contact material ..... Ag-alloy  
 Mechanical life ..... 100 000 cycles  
 Temperature Range ..... -40°C to +90°C

### Electrical Data

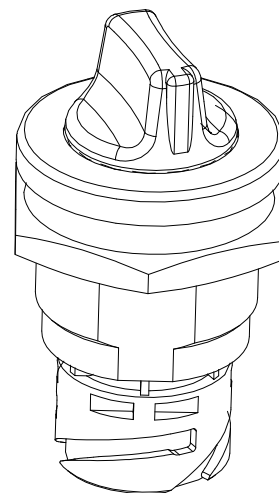
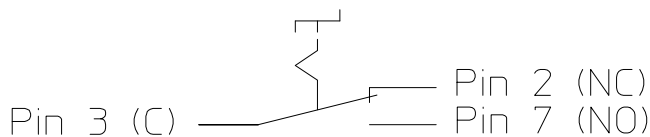
Voltage Range ..... 9VDC to 32VDC  
 Electrical load ..... 10mA to 5A



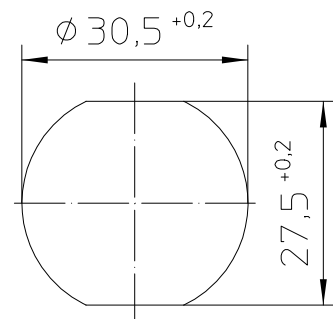
plug and socket device  
 6-pol in accordance to  
 DIN 72585 / ISO 15170




Change Over 1pol, maintained



### Mounting Dimensions



	Date	Name	mm	Scale		Drawing No:
Drawn	31.01.2018	Dicks	General Tolerances DIN ISO 2768 cL	1:1		DS-211-GE1
Check	29.08.2018	Baumg				NSN: