

EC-No.
22188
22577
22687
22014

Technical Data

Construction

Material, housing	PA, black
Material, cover	PA, black
Material, button	PA, RAL 5010
Material, front cover symbols	G0-FT
Colour symbols	RAL 7037
Illumination color, symbols	green
Protection interior	IP65 IEC 60529
connector	IP00 IEC 60529
Torque (M5)	max. 5 Nm
Torque (actuating button)	max. 4,5 Nm
Weight	approx. 150g

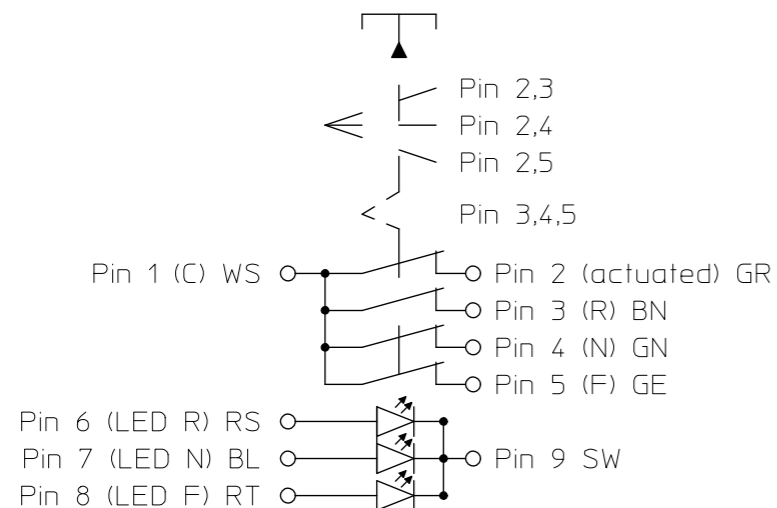
Mechanic Data

Contact travel	5 ±0,5mm
Connected Pin 3,4,5	0 to 2,5 ±0,5mm
Connected Pin 2	2,5 ±0,5 to 5mm
Operating force	25 ± 5N
Current carrying parts	Cu alloy
Contact material	Ag alloy
Mechanical life	50 000 cycles
Temperature range	-45°C to +85°C
Vibration	i.a.w. ISO 16750-3 Test 4.1.2.9
Shock	i.a.w. ISO 16750-3 Test 4.2.2

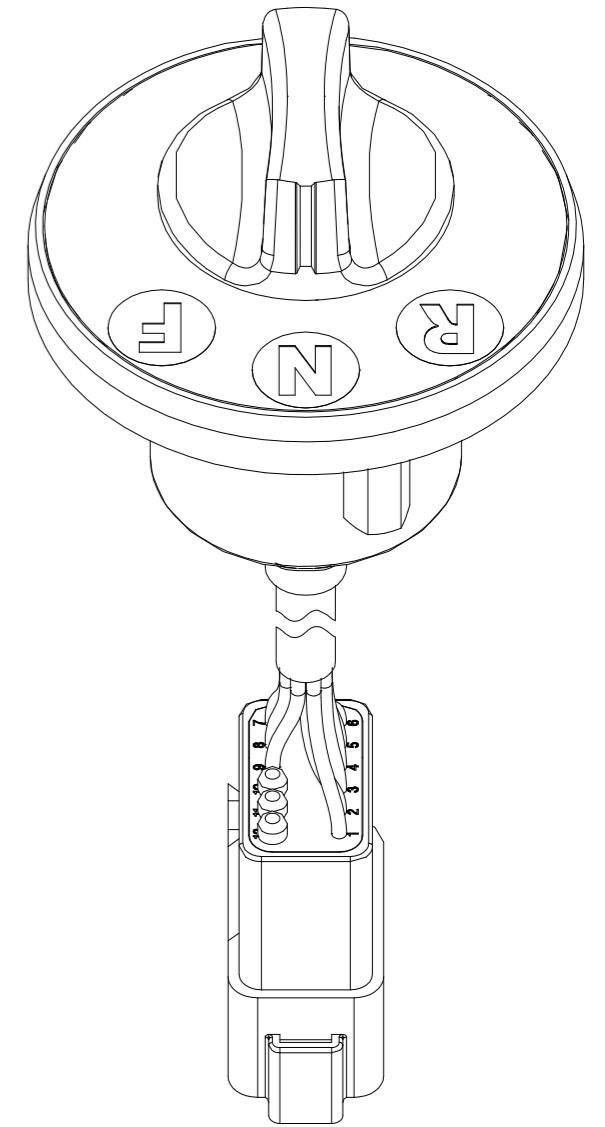
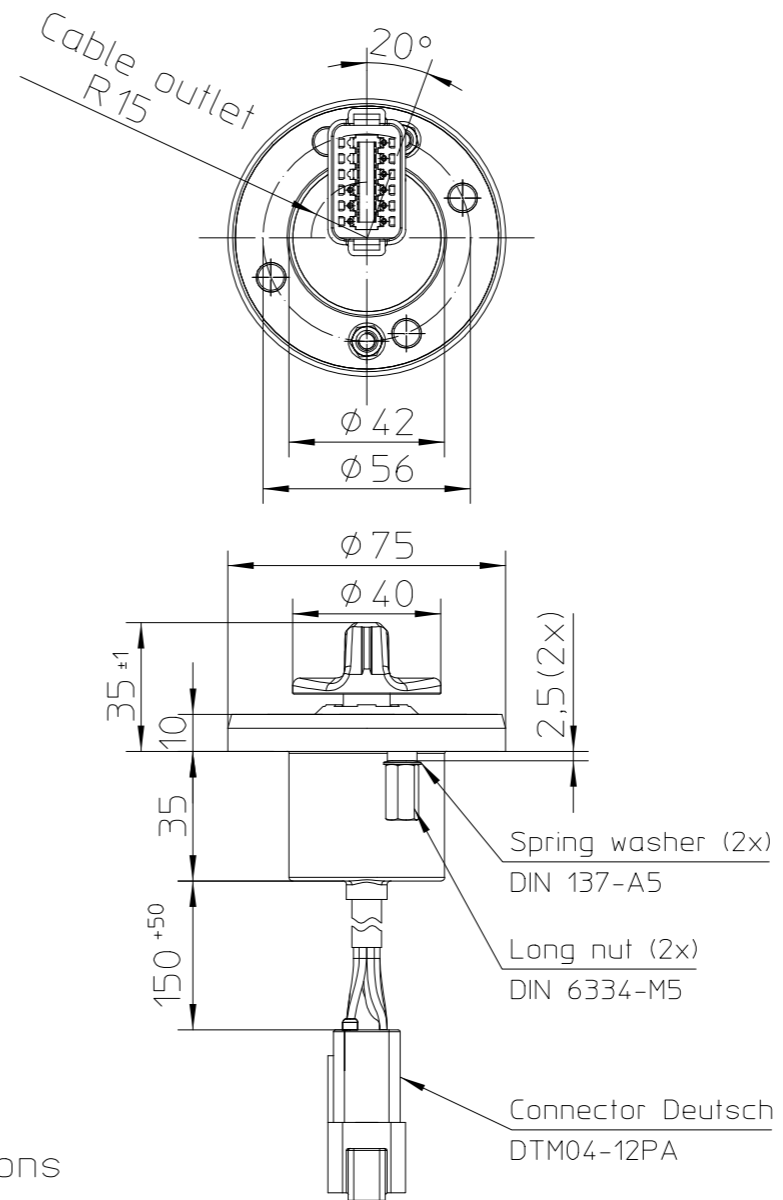
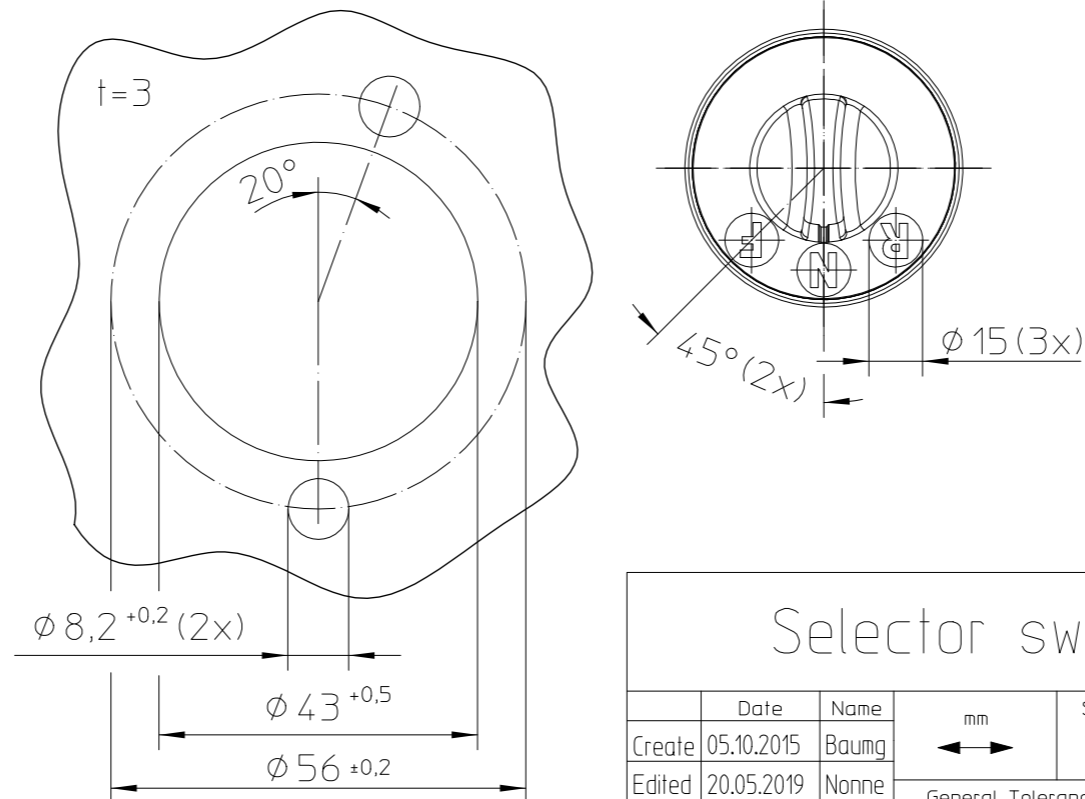
Electrical Data

Voltage range	9VDC to 32VDC
Resistive load	10mA to 1A

Circuit diagram



Mounting dimensions (dashboard)



M 1:1

Selector switch - steering types

Page 1 of 1

	Date	Name	mm	Scale
Create	05.10.2015	Baumg	↔	1:2
Edited	20.05.2019	Nonne		
Check	20.05.2019	Baumg		
			General Tolerances DIN ISO 2768 cL	



Drawing No.:

DS-133-BL12 902

NSN.: