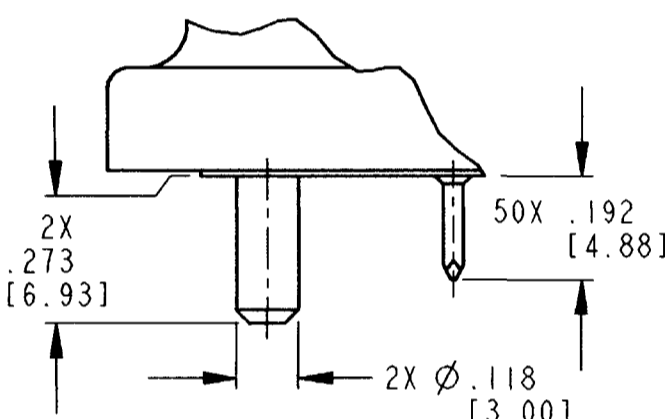


REV NC DRC20-60P**

REVISIONS			
SYM	DESCRIPTION	DATE	APPROVED
NC	NEW RELEASE PER E.O. P20138	2-24-09	RDR



DETAIL A
SCALE 3:1
FLANGE SEAL NOT SHOWN FOR CLARITY

3. MATERIAL - PLASTIC (BLACK), INSERT - STEEL, SEALS - RUBBER.
2. DIMENSION TOLERANCE: ±.025 [1.64]; PANEL CUTOUT: ±.010 [1.25]
1. DIMENSIONS ARE IN INCHES [mm].
NOTES: UNLESS OTHERWISE SPECIFIED.

- 7. SEE SHEET 2 FOR KEY ARRANGEMENTS AND RECOMMENDED PANEL CUTOUT.
- 6. RECOMMENDED SCREW: 6-19 [M3.63x1.34] THREAD FORMING SCREW. TORQUE: 18-20 IN-LB [2.03-2.26 Nm]
- 5. THIS RECEPTACLE MATES WITH DRC26-60S***-**** PLUG. (** = 01 THROUGH 10 KEYS, **** = ALL MODIFICATIONS.)
- 4. CONTACT PLATING: MATING SIDE - GOLD, PCB SIDE - TIN.

SIGNATURE & DATE	
DR	J. APOSTOL 11FEB2009
CHK	[Signature] 2/24/09
PE	[Signature] 7/11/05
APPD	R. Rosal 2-24-09
SCALE	NONE
WT	

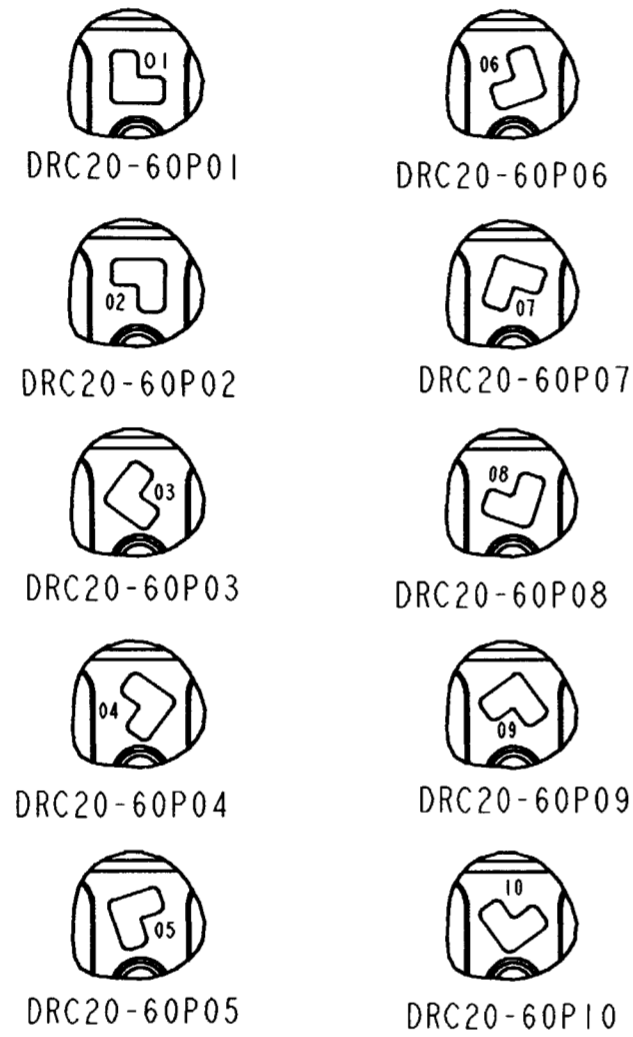
RECEPTACLE, PCB MOUNT
60 PIN #20
KEYING 01-10
DRC SERIES

ENVELOPE

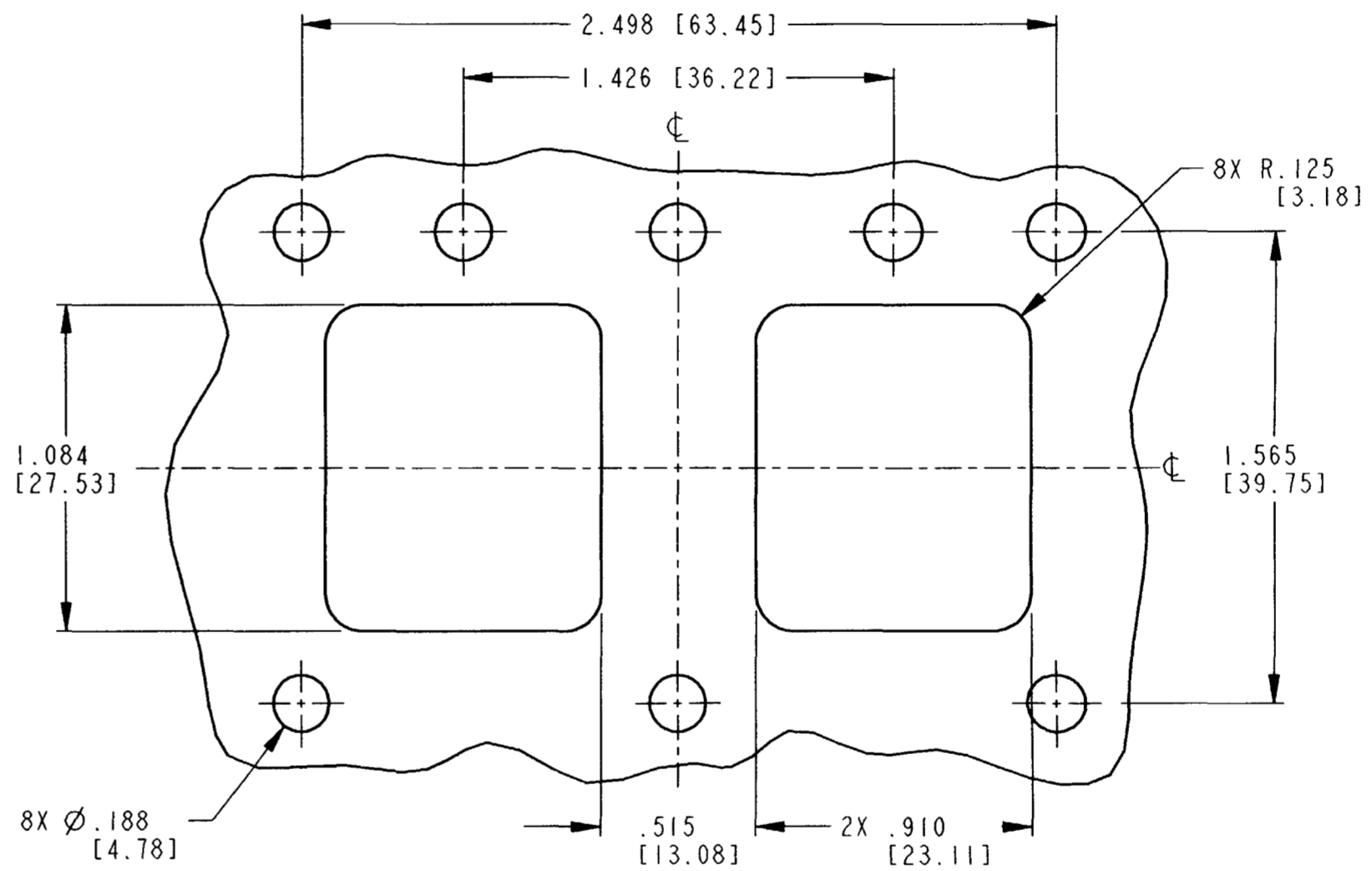
EP 113	MATL. CODE
3850 INDUSTRIAL AVE. HEMET, CA 92545	
B	DRC20-60P**
DWG SIZE	CODE 11139 SHEET 1 OF 2

REV
NC **DRC20-60P****

REVISIONS			
SYM	DESCRIPTION	DATE	APPROVED
NC	SEE SHEET 1	2-24-09	RDR



** = KEYING ARRANGEMENTS



RECOMMENDED PANEL CUTOUT

THICKNESS: .080 [2.0]

NOTES:

SIGNATURE & DATE	
DR	J. APOSTOL 11FEB2009
CHK	B. Boyd 2/24/09
PE	D. Neys 7/11/09
APPD	P. Rosed 2-24-09
SCALE	NONE
WT	

RECEPTACLE, PCB MOUNT
 60 PIN #20
 KEYING 01-10
 DRC SERIES

ENVELOPE

EP 075	MATL. CODE
3850 INDUSTRIAL AVE. HEMET, CA 92545	
DEUTSCH INDUSTRIAL	
B	DRC20-60P**
DWG SIZE	CODE 11139 SHEET 2 OF 2