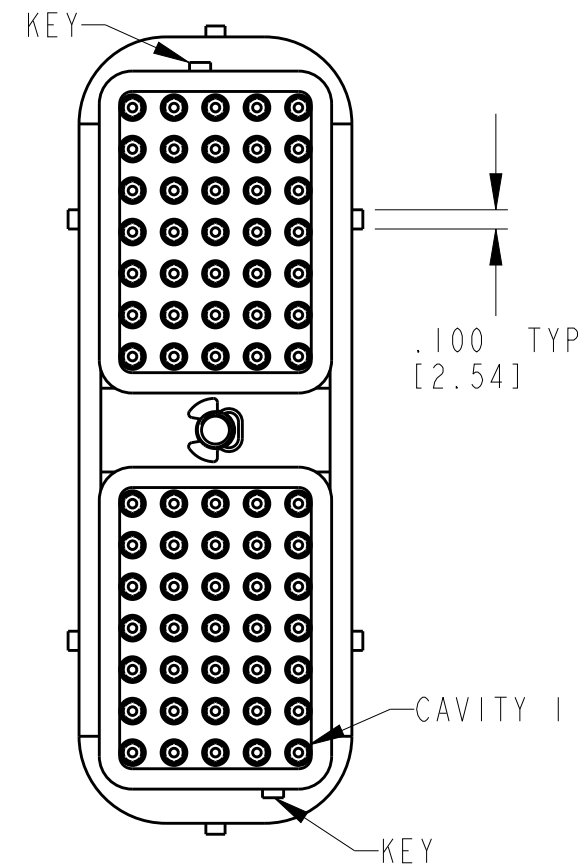
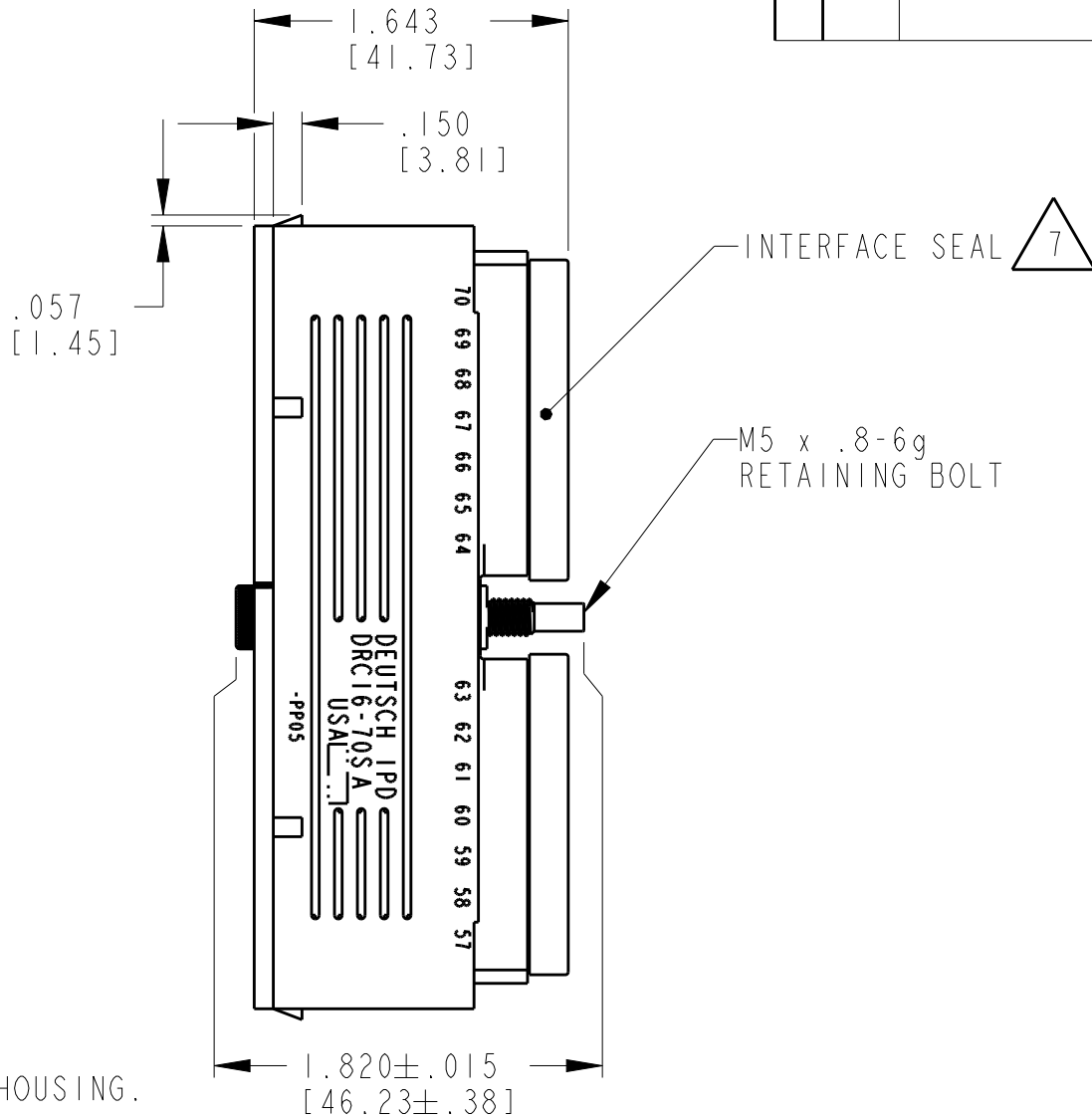
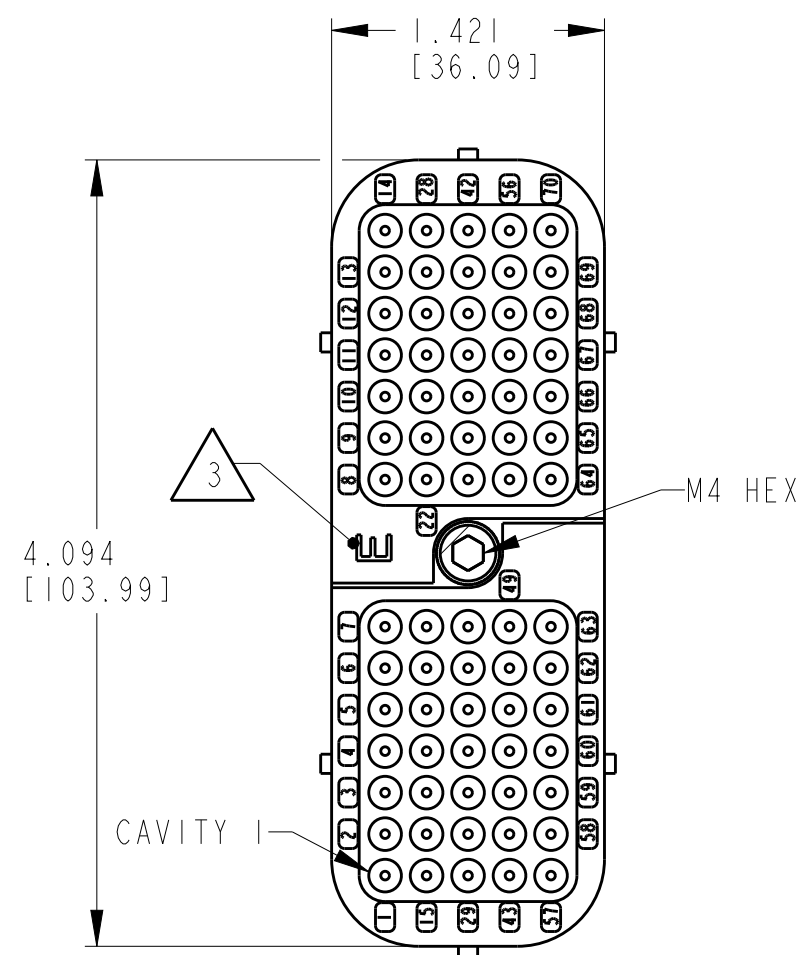


THIS DRAWING IS UNPUBLISHED  
 RELEASED FOR PUBLICATION 2017  
 © COPYRIGHT 2017 BY - TE CONNECTIVITY ALL RIGHTS RESERVED.

REVISIONS					
P	LTR	DESCRIPTION	DATE	DWN	APVD
	A	REVISED PER E-17-009100	18MAY2017	CM	DM

MIN. INSUL. O.D.	MAX. INSUL. O.D.	WIRE RANGE [mm <sup>2</sup> ] REF ONLY
.053 [1.35]	.120 [3.05]	14-20 AWG [2.0-0.50]



7. PART MODIFICATION: INTERFACE SEALS ARE BONDED TO PLUG HOUSING.

6. SEE SHEET 2 FOR OTHER KEYS ARRANGEMENTS.

5. MATERIAL:  
 PLUG: PPS GF40 (BLACK)  
 SEAL/GROMMET: VMQ (RED-ORANGE)  
 BOLT/CLIP: STAINLESS STEEL.

4. MATING TORQUE REQUIREMENT: 25-28 IN-LB [2.82-3.16 Nm].

3. WHEN X = E: LETTER "E" IDENTIFIES "E" WIRE SEAL.  
 WHEN X = BLANK: IDENTIFIES "NORMAL" WIRE SEAL (NOT SHOWN).

2. THIS PLUG MATES WITH DRC12-70PAX-XXXX; DRC13-70PA-XXXX;  
 DRC14-70PAX-XXXX.  
 (XXXX= ALL MODIFICATIONS) CONSULT FACTORY FOR MODS.

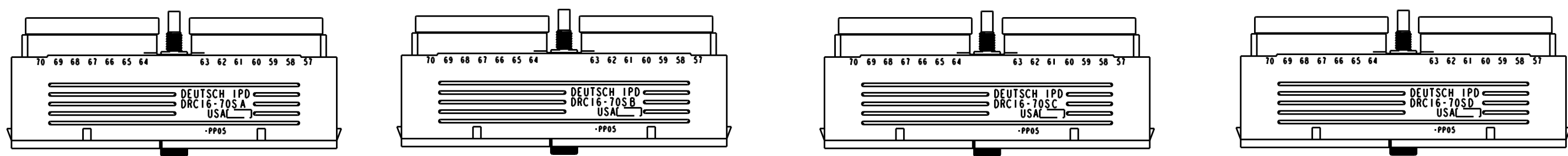
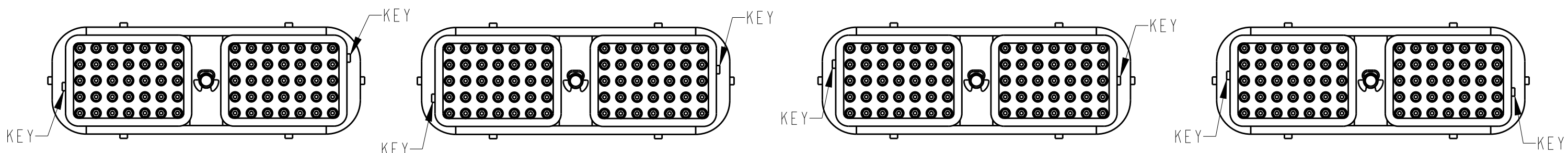
1. PLUG IS SUPPLIED WITH DUST CAP (NOT SHOWN).

NOTES: UNLESS OTHERWISE SPECIFIED

TE INTERNAL PN	DEUTSCH PN
DRC16-70SAE-PP05	DRC16-70SAE-PP05
DRC16-70SBE-PP05	DRC16-70SBE-PP05
DRC16-70SCE-PP05	DRC16-70SCE-PP05
DRC16-70SDE-PP05	DRC16-70SDE-PP05

THIS DRAWING IS A CONTROLLED DOCUMENT.		DWN J. APOSTOL 02NOV2005			
DIMENSIONS: INCHES [mm]		CHK B. BYFORD 28NOV2005			
TOLERANCES UNLESS OTHERWISE SPECIFIED:		APVD R. REED 29NOV2005		NAME PLUG 70 SIZE 16 KEYS: A,B,C,D 'E' SEAL COLOR: BLACK DRC SERIES	
0 PLC ±		PRODUCT SPEC 0425-015-0000		SIZE A3	
1 PLC ±		APPLICATION SPEC 0425-015-0000		CAGE CODE 4AFU8	
2 PLC ±		WEIGHT 154.1 g		DRAWING NO. DRC16-70SXE-PP05	
3 PLC ±.025 [0.64]		CUSTOMER DRAWING		RESTRICTED TO -	
4 PLC ±		SCALE 1:1		SHEET 1 OF 2	
ANGLES ±0° 30' 0"		REV A			
FINISH -					
MATERIAL 5					

REVISIONS					
P	LTR	DESCRIPTION	DATE	DWN	APVD
	-	SEE SHEET 1	-	-	-



**DRC16-70SAE-PP05**  
**KEY ARRANGEMENT -A-**

**DRC16-70SBE-PP05**  
**KEY ARRANGEMENT -B-**

**DRB16-70SCE-PP05**  
**KEY ARRANGEMENT -C-**

**DRC16-70SDE-PP05**  
**KEY ARRANGEMENT -D-**

THIS DRAWING IS A CONTROLLED DOCUMENT.		DWN J. APOSTOL 02NOV2005			
DIMENSIONS: INCHES [mm]		CHK B. BYFORD 28NOV2005			
TOLERANCES UNLESS OTHERWISE SPECIFIED:		APVD R. REED 29NOV2005	NAME PLUG 70 SIZE 16 KEYS: A,B,C,D 'E' SEAL COLOR: BLACK DRC SERIES		
		PRODUCT SPEC 0425-015-0000	SIZE A3	CAGE CODE 4AFU8	DRAWING NO DRC16-70SXE-PP05
MATERIAL		APPLICATION SPEC 0425-015-0000	RESTRICTED TO	-	
FINISH		WEIGHT 154.1 g	SCALE 1:1	SHEET 2 OF 2	REV A
-		CUSTOMER DRAWING			