

4

3

2

1

THIS DRAWING IS UNPUBLISHED

RELEASED FOR PUBLICATION

2018

© COPYRIGHT 2018

BY -TE CONNECTIVITY

ALL RIGHTS RESERVED.

REVISIONS

| P | LTR | DESCRIPTION                 | DATE      | DWN | APVD |
|---|-----|-----------------------------|-----------|-----|------|
|   | A   | REVISED PER PCN E-18-009438 | 14JUN2018 | SS  | DM   |
|   |     |                             |           |     |      |
|   |     |                             |           |     |      |

| MIN. INSUL. O.D. | MAX. INSUL. O.D. | WIRE RANGE [mm <sup>2</sup> ] REF ONLY |
|------------------|------------------|--|
| .053<br>[1.35]   | .120<br>[3.05]   | 14-20 AWG<br>[2.0-0.50]                |

Dimensions: 1.148 [29.16] (width), 2.100 [53.34] (height). Features include an M4 HEX screw and a key (5).

Dimensions: 1.600 [40.64] (length), .065 [1.65] (thickness), .150 [3.81] (width). Features include a retaining bolt (8) and a key (5).

Dimensions: .100 [2.54] (width). Features include a key (5).

8. PART MODIFICATION: INTERFACE SEALS ARE BONDED TO PLUG

7. E-SEAL IS IDENTIFIED BY LETTER "E" MARK.

6. MATING TORQUE REQUIREMENT: 25-28 IN-LB [2.82-3.13 Nm].

5. SEE SHEET 2 FOR OTHER KEY ARRANGEMENTS.

4. MATERIAL - PLUG: PPS GF40 (BLACK)  
SEAL/GROMMET: VMQ (RED-ORANGE)  
CLIP: STEEL, UNPLATED  
BOLT: STAINLESS STEEL WITH SILVER PLATING AND MAY TARNISH

3. THIS PLUG MATES WITH DRC10-24PX-XXXX; DRC12-24PX-XXXX; DRC13-24PX-XXXX; AND DRC14-24PX-XXXX RECEPTACLE. (X=A,B,C,D KEYS; XXXX=ALL MODIFICATIONS). CONSULT FACTORY FOR MODS.

2. FOR CONTACTS AND WIRE PERFORMANCE AND APPLICATION CHARACTERISTICS, SEE ENVELOPE DRAWING 0425-015-0000.

1. PLUG SUPPLIED WITH DUST CAP. PN 0515-005-2405 (NOT SHOWN).

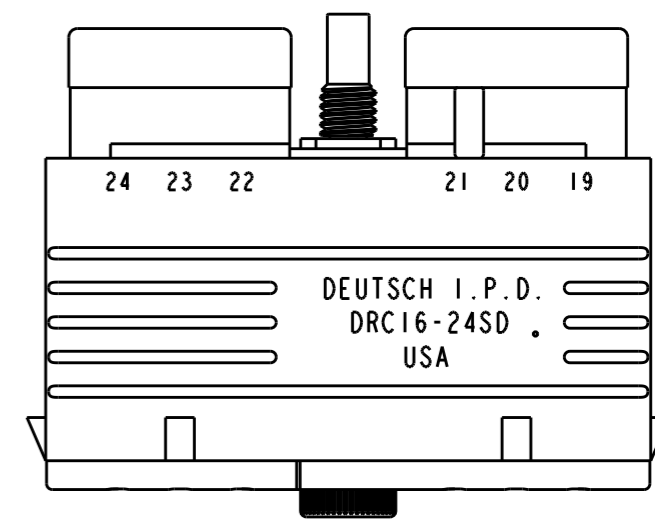
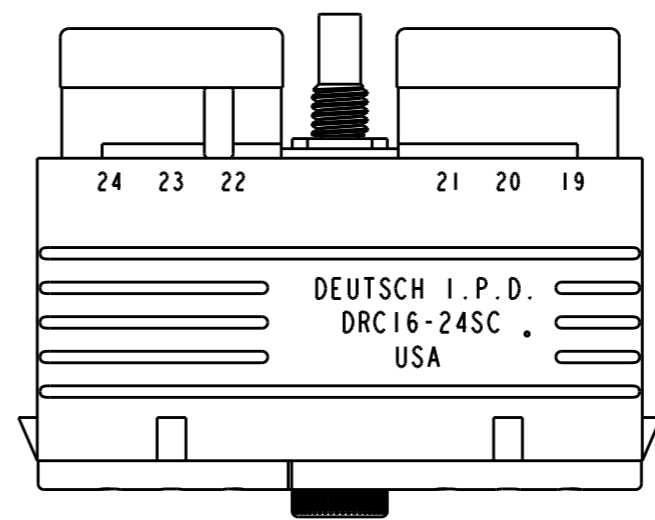
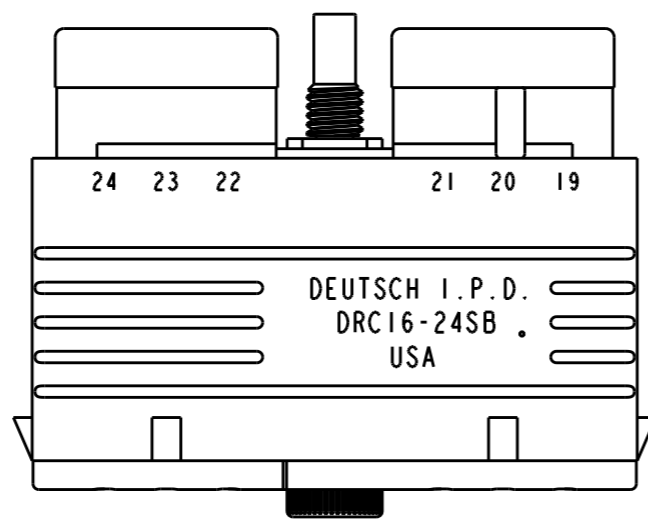
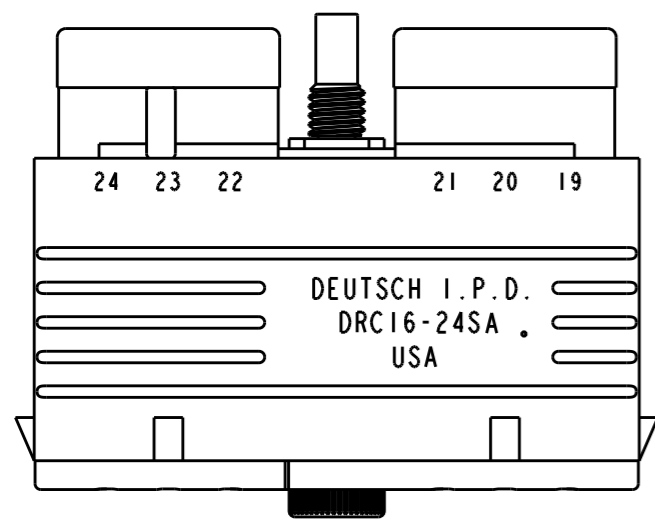
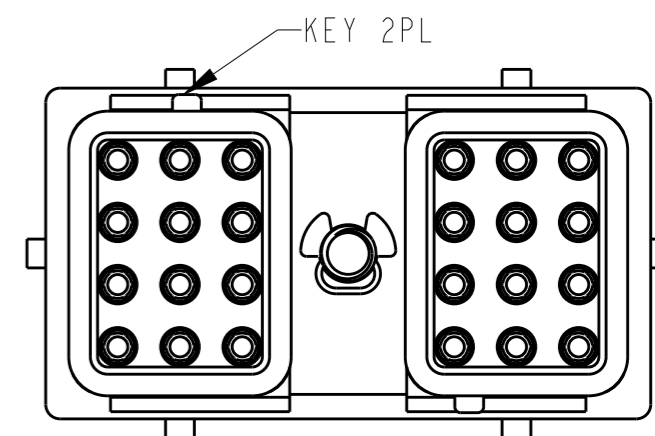
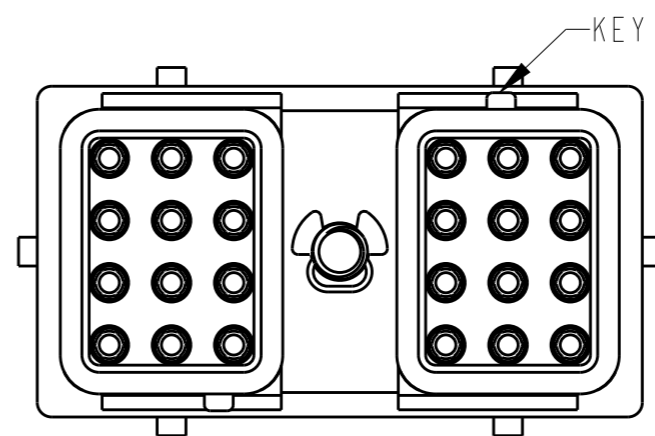
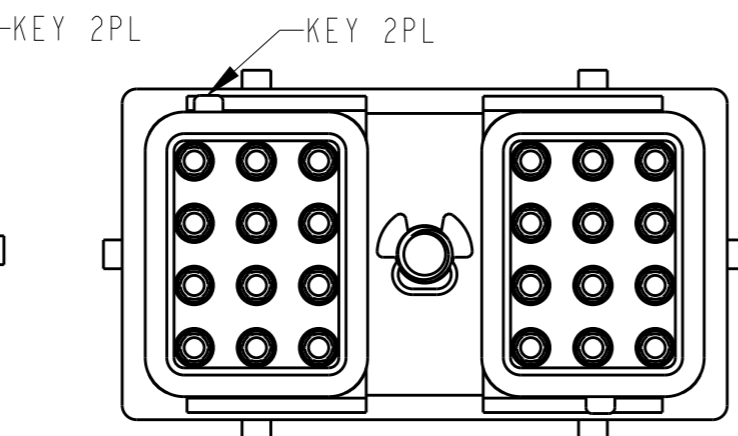
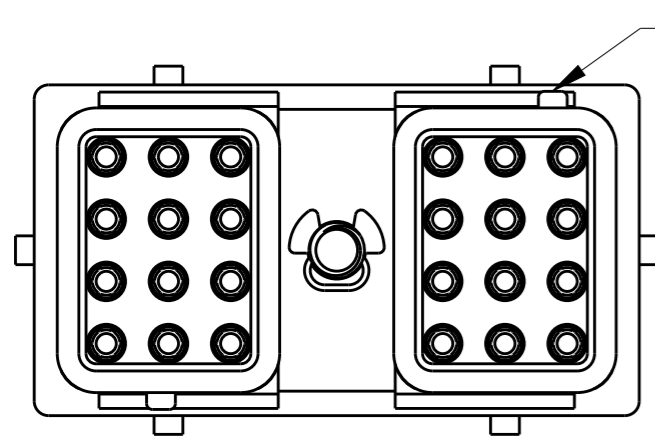
NOTES: UNLESS OTHERWISE SPECIFIED

| TE INTERNAL PN   | DEUTSCH PN       |
|------------------|------------------|
| DRC16-24SAE-P013 | DRC16-24SAE-P013 |
| DRC16-24SBE-P013 | DRC16-24SBE-P013 |
| DRC16-24SCE-P013 | DRC16-24SCE-P013 |
| DRC16-24SDE-P013 | DRC16-24SDE-P013 |

|  |              |                              |  |  |   |       |   |       |   |       |              |       |   |        |
|--|--------------|------------------------------|--|--|---|-------|---|-------|---|-------|--------------|-------|---|--------|
| THIS DRAWING IS A CONTROLLED DOCUMENT.   |              | DWN<br>D. MEYER<br>08APR2002 |  |  |   |       |   |       |   |       |              |       |   |        |
| DIMENSIONS:<br>INCHES [mm]   |              | CHK<br>D. MEYER<br>08APR2002 |  |  |   |       |   |       |   |       |              |       |   |        |
| TOLERANCES UNLESS OTHERWISE SPECIFIED:   |              | APVD<br>R. REED<br>10APR2002 |  |  |   |       |   |       |   |       |              |       |   |        |
| <table border="1"> <tr> <td>0 PLC</td> <td>±</td> </tr> <tr> <td>1 PLC</td> <td>±</td> </tr> <tr> <td>2 PLC</td> <td>±</td> </tr> <tr> <td>3 PLC</td> <td>±.025 [0.64]</td> </tr> <tr> <td>4 PLC</td> <td>±</td> </tr> <tr> <td>ANGLES</td> <td>±0°30'0"</td> </tr> </table> |              | 0 PLC                        |  |  | ± | 1 PLC | ± | 2 PLC | ± | 3 PLC | ±.025 [0.64] | 4 PLC | ± | ANGLES |
| 0 PLC  | ±            |                              |  |  |   |       |   |       |   |       |              |       |   |        |
| 1 PLC  | ±            |                              |  |  |   |       |   |       |   |       |              |       |   |        |
| 2 PLC  | ±            |                              |  |  |   |       |   |       |   |       |              |       |   |        |
| 3 PLC  | ±.025 [0.64] |                              |  |  |   |       |   |       |   |       |              |       |   |        |
| 4 PLC  | ±            |                              |  |  |   |       |   |       |   |       |              |       |   |        |
| ANGLES   | ±0°30'0"     |                              |  |  |   |       |   |       |   |       |              |       |   |        |
| MATERIAL   | FINISH       | APPLICATION SPEC<br>-        | NAME<br>PLUG 24 SIZE 16 KEYS: A,B,C,D<br>E SEAL COLOR: BLACK<br>DRC SERIES |  |   |       |   |       |   |       |              |       |   |        |
|  |              | WEIGHT<br>-                  | SIZE<br>A3   |  |   |       |   |       |   |       |              |       |   |        |
|  |              | CUSTOMER DRAWING             | CAGE CODE<br>4AFU8   |  |   |       |   |       |   |       |              |       |   |        |
|  |              |                              | DRAWING NO<br>DRC16-24SXE-P013   |  |   |       |   |       |   |       |              |       |   |        |
|  |              |                              | RESTRICTED TO<br>-   |  |   |       |   |       |   |       |              |       |   |        |
|  |              |                              | SCALE<br>1.5:1   |  |   |       |   |       |   |       |              |       |   |        |
|  |              |                              | SHEET<br>1 OF 2  |  |   |       |   |       |   |       |              |       |   |        |
|  |              |                              | REV<br>A   |  |   |       |   |       |   |       |              |       |   |        |

1470-19 (3/13)

| REVISIONS |     |             |      |     |      |
|-----------|-----|-------------|------|-----|------|
| P         | LTR | DESCRIPTION | DATE | DWN | APVD |
| -         | -   | SEE SHEET 1 | -    | -   | -    |
|           |     |             |      |     |      |
|           |     |             |      |     |      |



**DRC16-24SAE-P013**  
KEY: -A-

**DRC16-24SBE-P013**  
KEY: -B-

**DRC16-24SCE-P013**  
KEY: -C-

**DRC16-24SDE-P013**  
KEY: -D-

|   |  |                              |                                |  |
|---|--|------------------------------|--------------------------------|--|
| THIS DRAWING IS A CONTROLLED DOCUMENT.  |  | DWN<br>D. MEYER<br>08APR2002 |                                | NAME<br>PLUG 24 SIZE 16 KEYS: A,B,C,D<br>E SEAL COLOR: BLACK<br>DRC SERIES |
| DIMENSIONS:<br>INCHES [mm]  |  | CHK<br>D. MEYER<br>08APR2002 |                                |  |
|   |  | APVD<br>R. REED<br>10APR2002 |                                |  |
| TOLERANCES UNLESS OTHERWISE SPECIFIED:  |  | PRODUCT SPEC                 |                                |  |
| 0 PLC ±<br>1 PLC ±<br>2 PLC ±<br>3 PLC ±.025 [0.64]<br>4 PLC ±<br>ANGLES ±0°30'0" |  | APPLICATION SPEC             | SIZE<br>A3                     | CAGE CODE<br>4AFU8   |
| MATERIAL<br>  |  | FINISH                       | DRAWING NO<br>DRC16-24SXE-P013 | RESTRICTED TO<br>-   |
| CUSTOMER DRAWING  |  |                              | SCALE<br>1.5:1                 | SHEET<br>2 OF 2  |
|   |  |                              | REV<br>A                       |  |