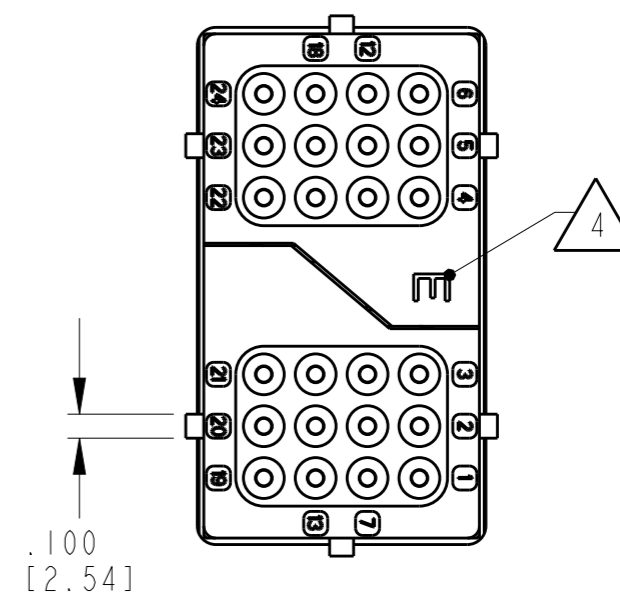
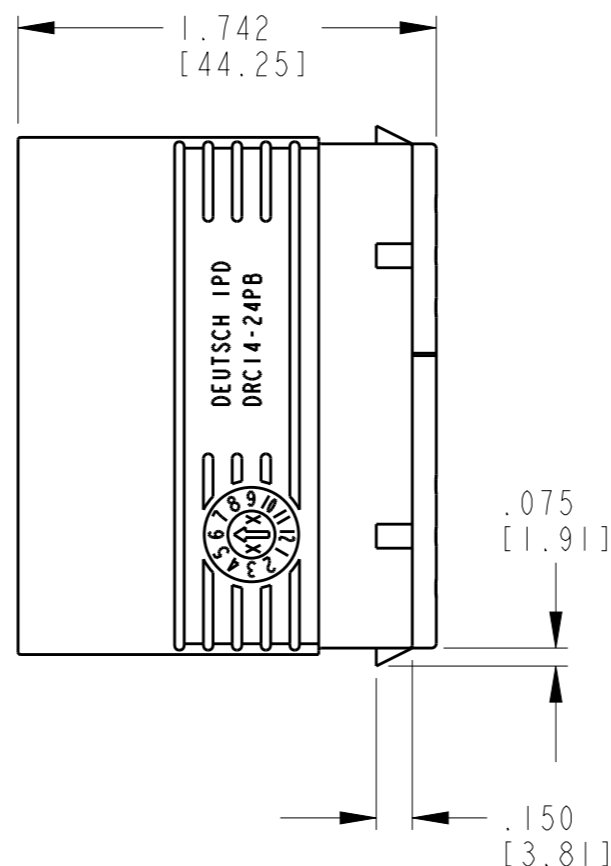
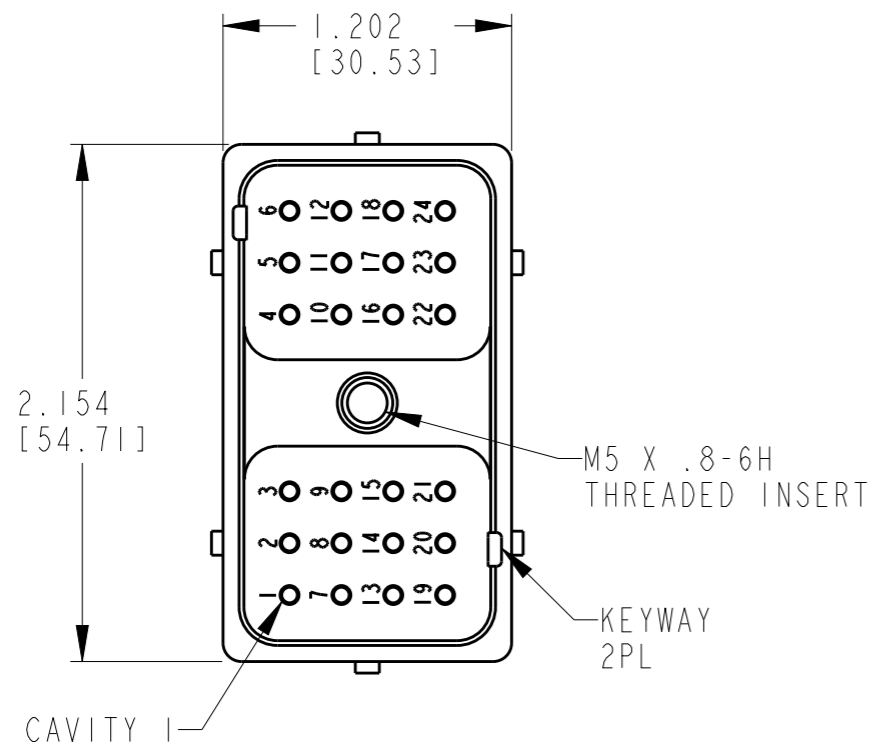


THIS DRAWING IS UNPUBLISHED
 RELEASED FOR PUBLICATION 2017
 © COPYRIGHT 2017 BY -TE CONNECTIVITY ALL RIGHTS RESERVED.

REVISIONS					
P	LTR	DESCRIPTION	DATE	DWN	APVD
	B	REVISED PER PCN E-17-014648	20JUN2017	SS	DM

SEAL TYPE	CONTACT SIZE	MIN. INSUL. O.D.	MAX. INSUL. O.D.	WIRE RANGE [mm ²] REF ONLY
NORMAL	16	.100 [2.54]	.134 [3.40]	14-20 AWG [2.0-.50]
E	16	.053 [1.35]	.120 [3.05]	14-20 AWG [2.0-.50]



5. MATERIAL - HOUSING: PLASTIC (BLACK); GROMMET: RUBBER; INSERT: STEEL.

4. WHEN X = E: MARK LETTER "E" IDENTIFIES "E" WIRE SEAL.
 WHEN X = BLANK: IDENTIFIES "NORMAL" WIRE SEAL.

3. THIS PART MATES WITH DRC16-24SBX-XXXX PLUG.
 (X = WIRE SEAL ID; XXXX= ALL MODIFICATIONS)

2. FOR CONTACT AND WIRE PERFORMANCE AND APPLICATION CHARACTERISTICS, SEE DRAWING 0425-015-0000.

1. RECEPTACLE IS SUPPLIED WITH DUST CAP (NOT SHOWN).

NOTES:

TE INTERNAL PN	DEUTSCH PN
DRC14-24PB	DRC14-24PB
DRC14-24PBE	DRC14-24PBE

THIS DRAWING IS A CONTROLLED DOCUMENT.		DWN J. APOSTOL 03APR2013		 TE Connectivity NAME INLINE RECEPTACLE 24 CONTACTS SIZE 16 DRC SERIES KEY ARRANGEMENT -B-	
DIMENSIONS: INCHES [mm]		CHK D. HASIBUAN 03APR2013			
TOLERANCES UNLESS OTHERWISE SPECIFIED:		APVD D. HASIBUAN 03APR2013			
0 PLC ± 1 PLC ± 2 PLC ± 3 PLC ±.025 [.64] 4 PLC ± ANGLES ±0°30'0"		PRODUCT SPEC -			
MATERIAL 5		FINISH -		APPLICATION SPEC -	
		WEIGHT -		SIZE A3	
		CUSTOMER DRAWING		CAGE CODE 4AFU8	
				DRAWING NO. DRC14-24PBX	
				RESTRICTED TO -	
				SCALE 1.25:1	
				SHEET 1 OF 1	
				REV B	