

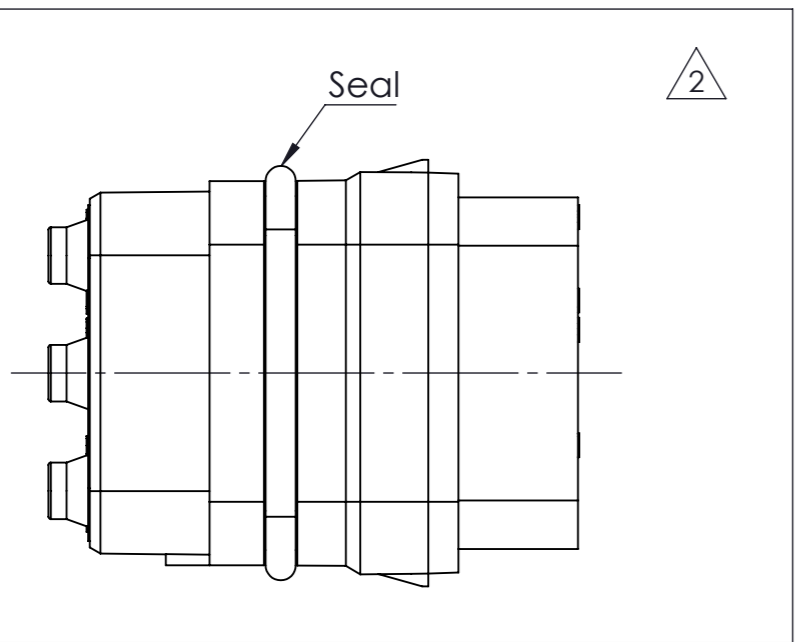
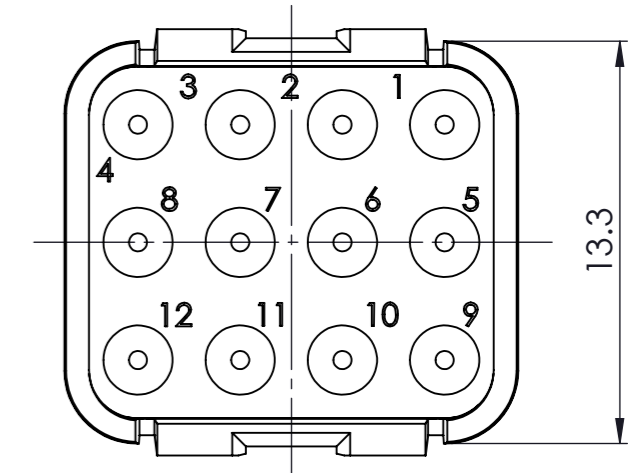
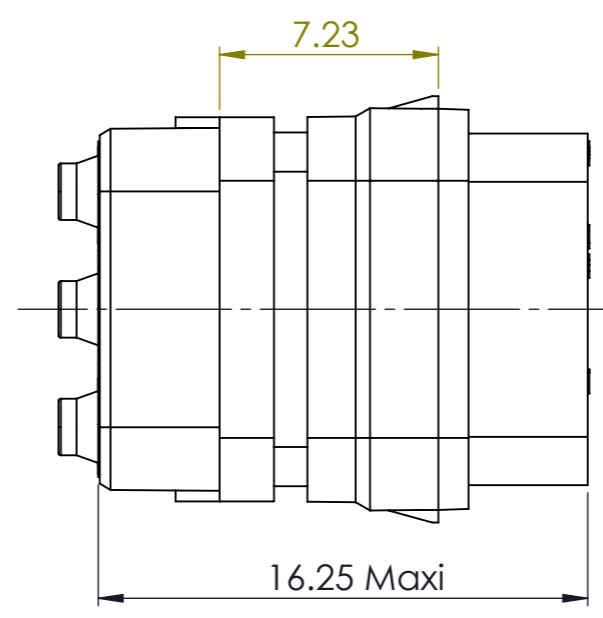
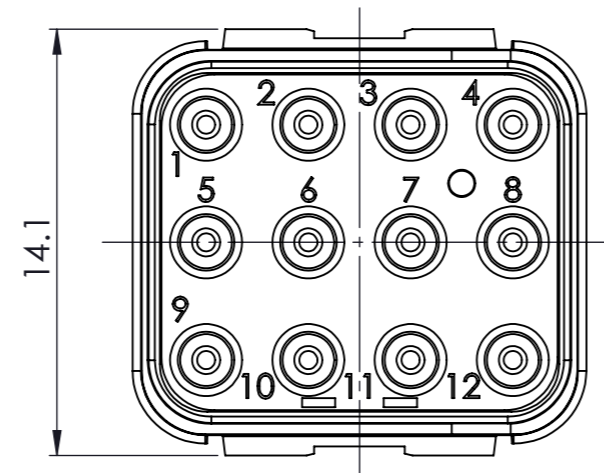
THIS DRAWING IS A CONTROLLED DOCUMENT

DWG NO DMC-M_12-20_P+

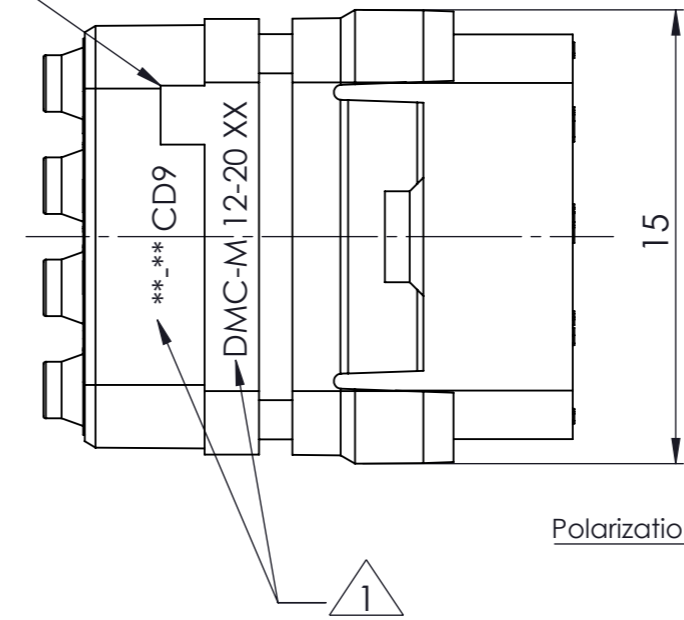
USED DN _

STANADARD MODULE

- CONNECTOR TYPE — DMC-M
- ARRANGEMENT — 12-20
- CONTACTS — P = Standard Male Contact
A = Without Male Contact
- POLARIZATION — N, A, B, C, D
- SEALING (Optional) — Omit - Standard (No Sealing)
E = Sealed 2



Polarization N (X = N)

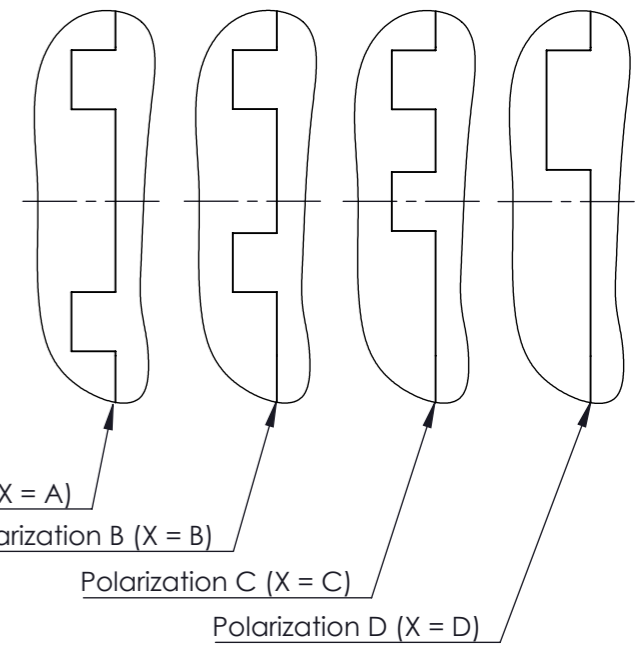


Polarization A (X = A)

Polarization B (X = B)

Polarization C (X = C)

Polarization D (X = D)



CHARACTERISTIQUES

- TEMPERATURE D'UTILISATION : -55°C a +175°C
- MATERIAUX : Thermoplastique et silicone fluore
- TENSION DE TENUE : 1800 V eff. ; 50 Hz
- Ø SUR GAINÉ CABLES ADMISSIBLES : 1.01 a 2.11 mm
- UTILISATION CONTACTS : MIL C 39029/58-363

1 Marquages realises sur la face opposee aux clés

| | | | |
|-----------------|-------|--|--|
| DIMENSIONS: MM | | TOLERANCES UNLESS OTHERWISE SPECIFIED: | |
| | 0 PLC | ± | |
| | 1 PLC | ±0.05 | |
| | 2 PLC | ±0.05 | |
| | 3 PLC | ±0.02 | |
| | 4 PLC | ± | |
| ANGLES ±° | | | |
| SURFACE TEXTURE | | | |

| | | | | | |
|-------|-----------------|-----------------|----|------------|----------------|
| DWN | LAKSHMI SUDHA R | MATERIAL | - | HEAT TREAT | - |
| CHK | RAKESH S | TE Connectivity | | | |
| APVD | VINCENT P | | | | |
| NAME | MODULE P & A | | | | |
| SCALE | 4:1 | SIZE | A3 | DRAWING NO | DMC-M_12-20_P+ |
| SHEET | 1 | OF | 1 | REV | A |