

THIS DRAWING IS A CONTROLLED DOCUMENT

DWG NO  
DMC-M\_01-08\_S+

STANADARD MODULE

CONNECTOR TYPE — DMC-M

ARRANGEMENT — 01-08

CONTACTS —  
S = Standard Female Contact  
B = Without Female Contact

POLARIZATION —  
N, A, B, C, D

SEALING (Optional) —  
Omit - Standard (No Sealing)  
E = Sealed  $\triangle 2$

GROUNDING MODULE

USED DN —

CONNECTOR TYPE — DMC-M

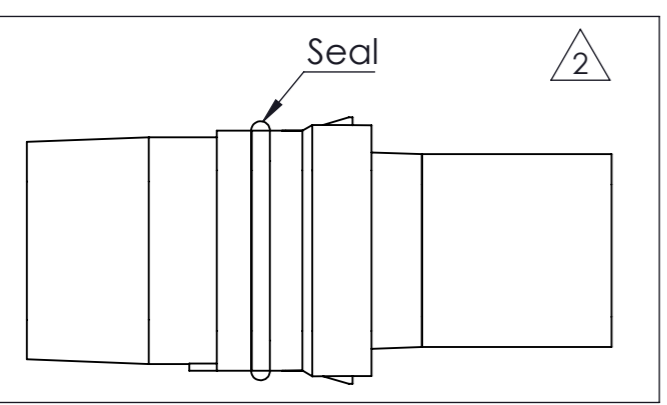
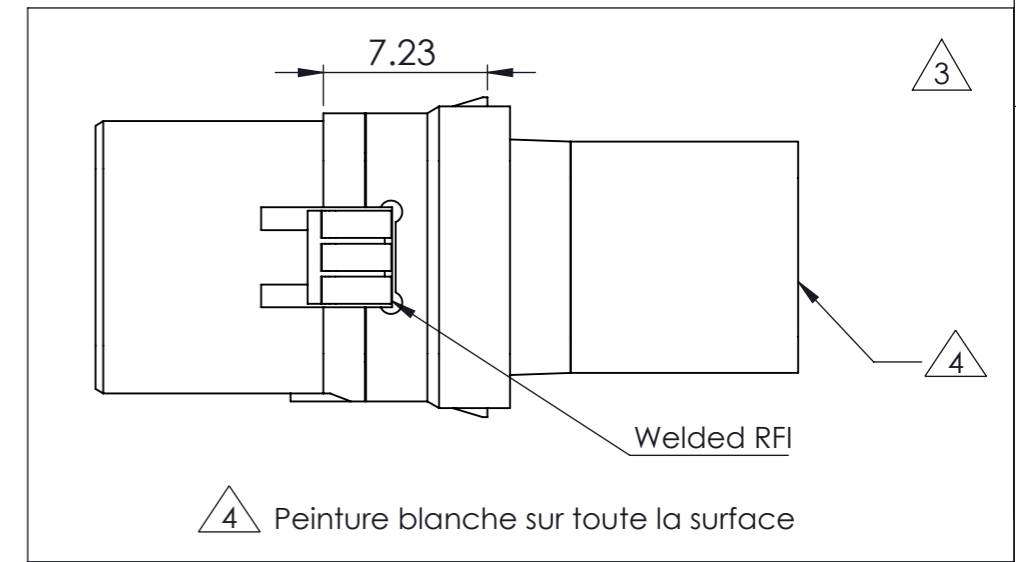
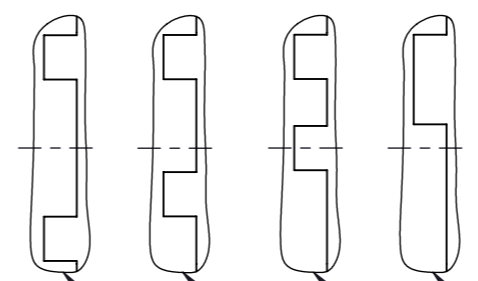
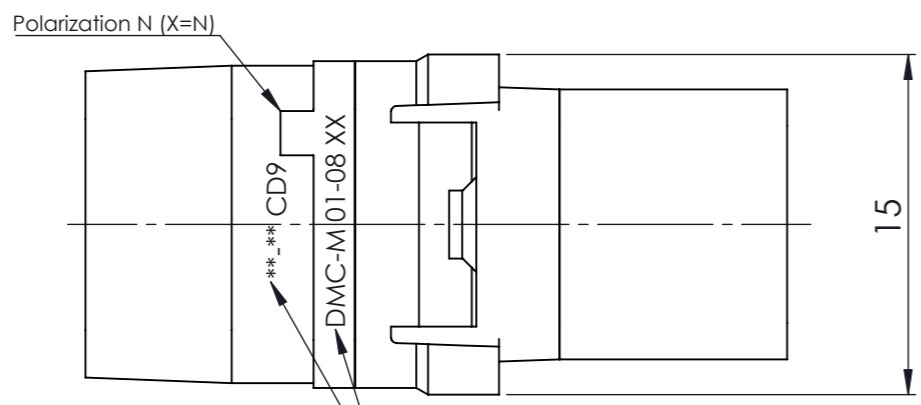
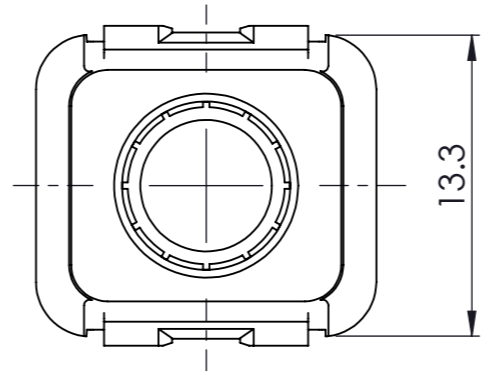
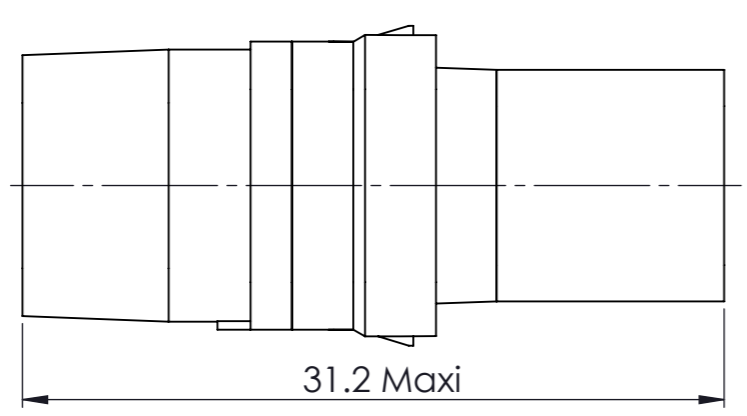
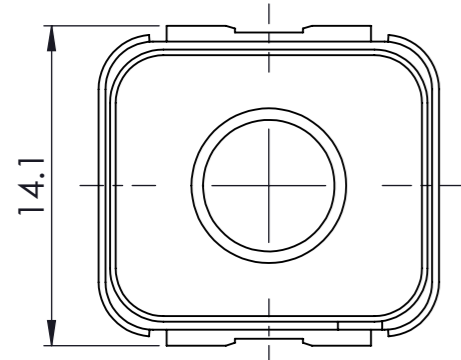
ARRANGEMENT — 01-08

CONTACTS —  
S = Standard Female Contact  
B = Without Female Contact

POLARIZATION —  
N, A, B, C, D

GROUNDING —  
 $G \triangle 3$

PLATING/FINISH (Optional) —  
Aluminium Alloy  
Omit - Black Nickel  
W - Olive Drab Cadmium



**CHARACTERISTIQUES**

TEMPERATURE D'UTILISATION : -55°C a +175°C

MATERIAUX : Thermoplastique et silicone fluore

TENSION DE TENUE : 1800 V eff. ; 50 Hz

Ø SUR GAINE CABLES ADMISSIBLES : 3.80 a 5.15 mm

UTILISATION CONTACTS : Contact DataBus (182-0035-03) ; Contact de Puissance (182-0003-08)

$\triangle 1$  Marquages realises sur la face opposee aux cles

DIMENSIONS: MM		TOLERANCES UNLESS OTHERWISE SPECIFIED:	
	0 PLC	±	
	1 PLC	±	0.05
	2 PLC	±	0.05
	3 PLC	±	0.02
	4 PLC	±	
ANGLES	±	°	
SURFACE TEXTURE			

DWN <b>LAKSHMI SUDHA R</b>	MATERIAL -	HEAT TREAT -
CHK <b>RAKESH S</b>	TE Connectivity	
APVD <b>VINCENT P</b>		
NAME <b>MODULE S &amp; B</b>		
SCALE <b>3:1</b>	SIZE <b>A3</b>	DRAWING NO <b>DMC-M_01-08_S+</b>
	SHEET 1 OF 1	REV <b>A</b>