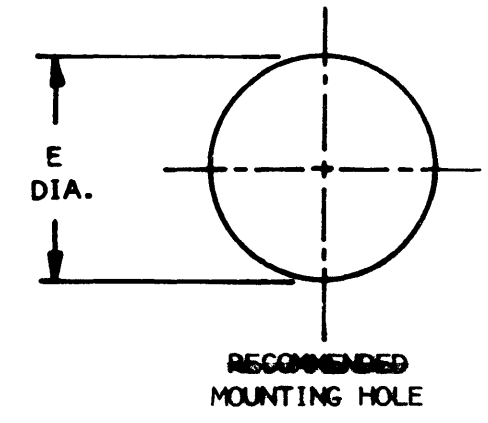
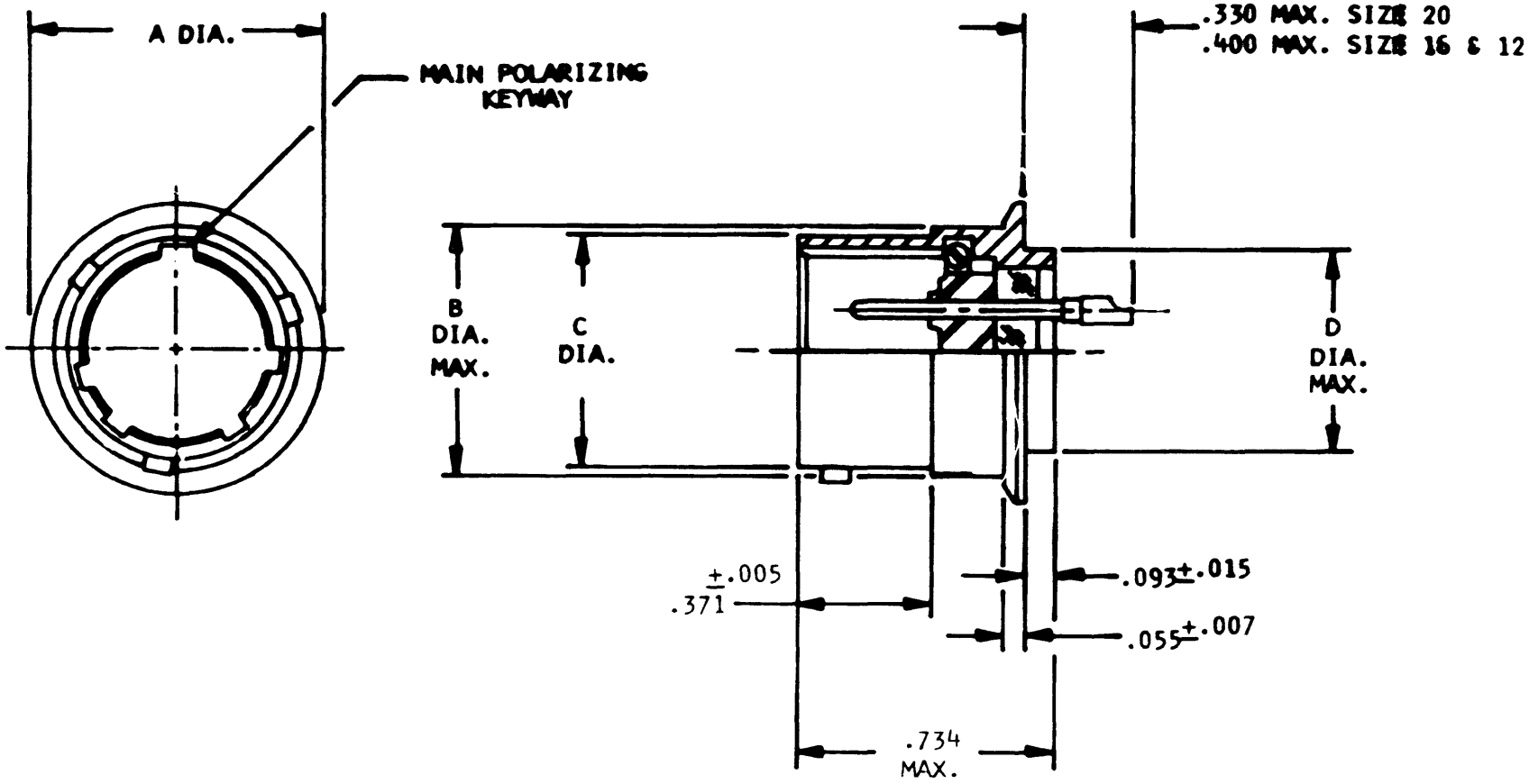


DL61H-x-xxx		REVISIONS		
SYM	DESCRIPTION	DATE	APPROVED	
B	REVISED PER E.O. 91516	3-9-83	F. Holt	



PART NO.	A±.020	B	C ^{±.000} _{-.005}	D	E ^{±.010} _{-.000}	APPROX. WT. IN LBS.
DL61H-8-xxx	.740	.561	.536	.500	.505	
DL61H-10-xxx	.840	.696	.659	.562	.567	
DL61H-12-xxx	1.045	.875	.829	.750	.755	
DL61H-14-xxx	1.090	.935	.898	.812	.817	
DL61H-16-xxx	1.210	1.062	1.025	.937	.942	
DL61H-18-xxx	1.340	1.187	1.131	1.052	1.057	
DL61H-20-xxx	1.430	1.312	1.256	1.187	1.192	
DL61H-22-xxx	1.590	1.437	1.381	1.312	1.317	
DL61H-24-xxx	1.770	1.595	1.539	1.437	1.442	

3. MATERIAL:
 SHELL - MILD STEEL
 CONTACTS - HIGH NICKEL-IRON ALLOY
 INSERT, PIN FRONT - ELASTOMER
 INSERT, HERMETIC - COMPRESSION GLASS
 "O" RING - SILICONE BASE ELASTOMER

2. FINISH:
 SHELL: TIN OVER NICKEL
 CONTACTS: GOLD PLATED

1. FOR AVAILABLE CONTACT ARRANGEMENTS AND ALTERNATE CLOCKING POSITIONS, SEE PAGE 94500 IN DL SECTION OF CATALOG.

NOTE:

SIGNATURE & DATE		RECEPTACLE CONNECTOR, HERMETIC, TRI-KAM COUPLING, SOLDER MOUNTING, MIL-C-83723 TYPE (ENVELOPE)	CP	MATL. CODE	
DR	<i>W. Holt 3-10-69</i>		The Deutsch Company ELECTRONIC COMPONENTS DIVISION Municipal Airport Brea, California		
CHK	<i>F. Holt 3-11-69</i>		B DL61H-x-xxx	DWG. SIZE	CODE 11139
PE	<i>L. Mahan</i>			SHEET 1 OF 1	
APPD	<i>F. Holt 3/10/83</i>		SCALE	NONE	WT