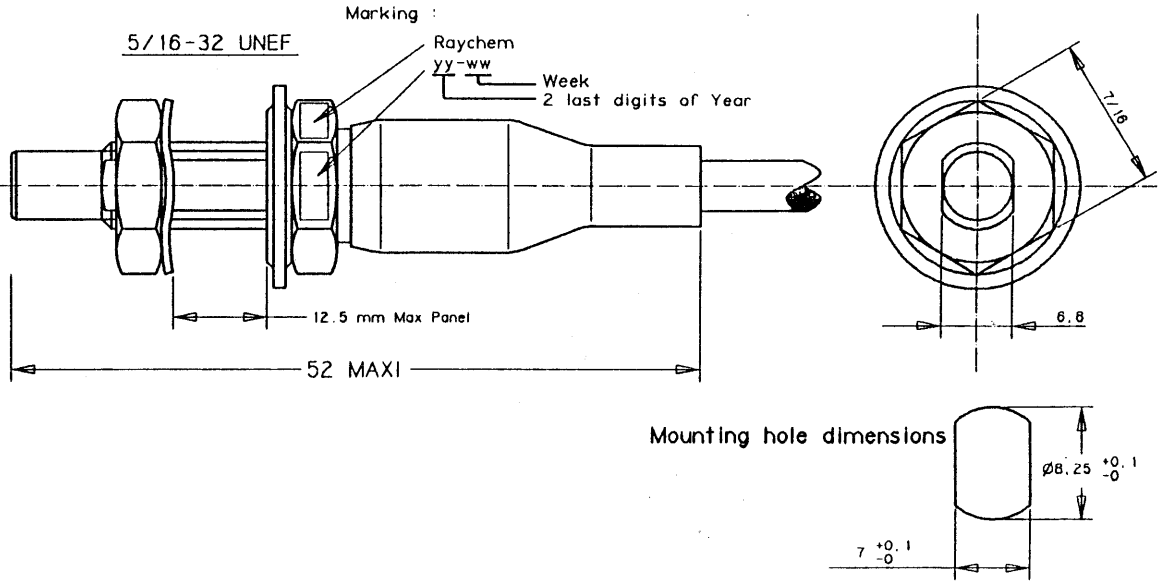
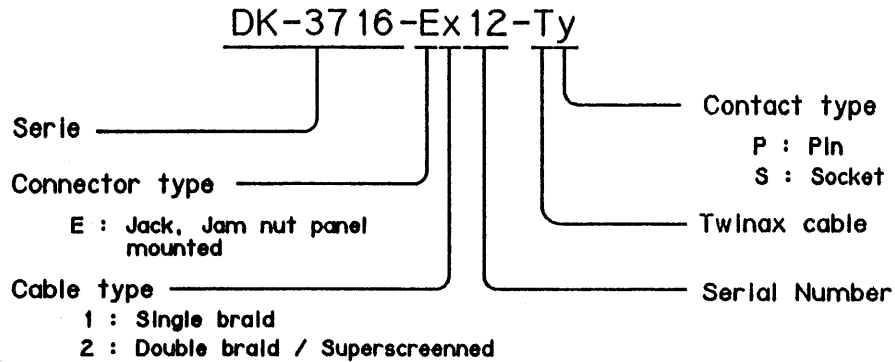


Raychem	SPECIFICATION CONTROL DRAWING	Product name DK-3716-Ex12-Ty	Date 15/NOV/91
			Revision Ø

THREADED, TRIAXIAL CONNECTOR , LONG REACH
TO
AECMA EN 3716-003 SPECIFICATION



PART NUMBERING SYSTEM



**If this document is printed it becomes uncontrolled.
Check with the web for latest revision.**

Dimensions are in millimeters

DIFFUSION	DRAWN Ph.ROUCAUTE Engineering <i>R</i>	APPROVED R.DE CONTI Product Manager <i>Roucaute</i>	REPLACES
	APPROVED Ph.GUILLON Development <i>Guillon</i>	APPROVED B.DAUVILLIERS Quality Assurance <i>Dauvilliers</i>	PROJECT NUMBER ECN: F-19444 CAD : 1R914602

*A trademark of Raychem Corporation.

This drawing and the information set forth hereon are the property of Raychem Corporation, and are to be held in trust and confidence. Publication, duplication, disclosure or use for any purpose not expressly authorized in writing by Raychem Corporation is prohibited.

Raychem	SPECIFICATION CONTROL DRAWING	Product name DK-3716-Ex12-Ty	Date 15/NOV/91
			Revision Ø

1 MATERIALS AND FINISHES If this document is printed it becomes uncontrolled.
Check with the web for latest revision.

1.1 Housing Body: Brass Alloy per QQ-B-626D
Tin Plated per MIL-T-10727
Over Nickel per MIL-C-26074

* 1.2 Jam Nut: Brass Alloy per QQ-B-626D
Over Nickel per MIL-C-26074

1.3 Wave Washer: Spring Steel
Over Nickel per MIL-C-26074

Sealing Washer

Elastomer: Silicone per AMS-3304

Washer: CRES per MIL-S-5059 Half Hard or Annealed
Passivated per QQ-P-35

Insulation: Polyethersulfone

* Jam nut shall be torqued 1.13-1.7 m.N when installing connector in panel.

2 WIRE ACCOMMODATIONS

2.1 The connector will terminate to a shielded twisted pair AWG 26 to AWG 22.

2.2 Termination procedure : Raychem RPIP-695-01.

3 INTERMATEABILITY

3.1 This connector will mate with DK-3716-Fxxx-yy.

4 CONTACTS

4.1 This connector will accommodate the following Raychem contacts :

Part No.	Description
D-602-0126	Twinax, Pin
D-602-0127	Twinax, Socket

5 PERFORMANCE CAPABILITIES

5.1 Design to meet Raychem Performance Specification D-6025 and AECMA EN 3716-003.

5.2 General Characteristics

5.2.1 Maximum Operating Temperature : 150°C.

5.2.2 Current Rating : 3 amps maximum.

5.2.3 Insulation Resistance : 5000 megohms minimum.

5.2.4 High Potential, Mated, Sea Level : 900 volts at 60 Hz.

5.2.5 Contact Resistance, Initial : 8 milliohms maximum.

5.2.6 Connector Mating Coupling Torque : 1.13 m.N maximum.

5.2.7 Insertion Force : 1.4 kg maximum.

5.2.8 Withdrawal Force : 30 g maximum.

5.2.9 Contact Retention Terminated : 9 kg minimum.

5.2.10 Durability : 500 cycles.

5.2.11 Corrosion Resistance : 500 hours.

5.2.12 Weight : 10 g Max.

DIFFUSION

*A trademark of
Raychem Corporation.

This drawing and the information set forth herein are the property of Raychem Corporation, and are to be held in trust and confidence. Publication, duplication, disclosure or use for any purpose not expressly authorized in writing by Raychem Corporation is prohibited.

ORIGINAL DOCUMENT