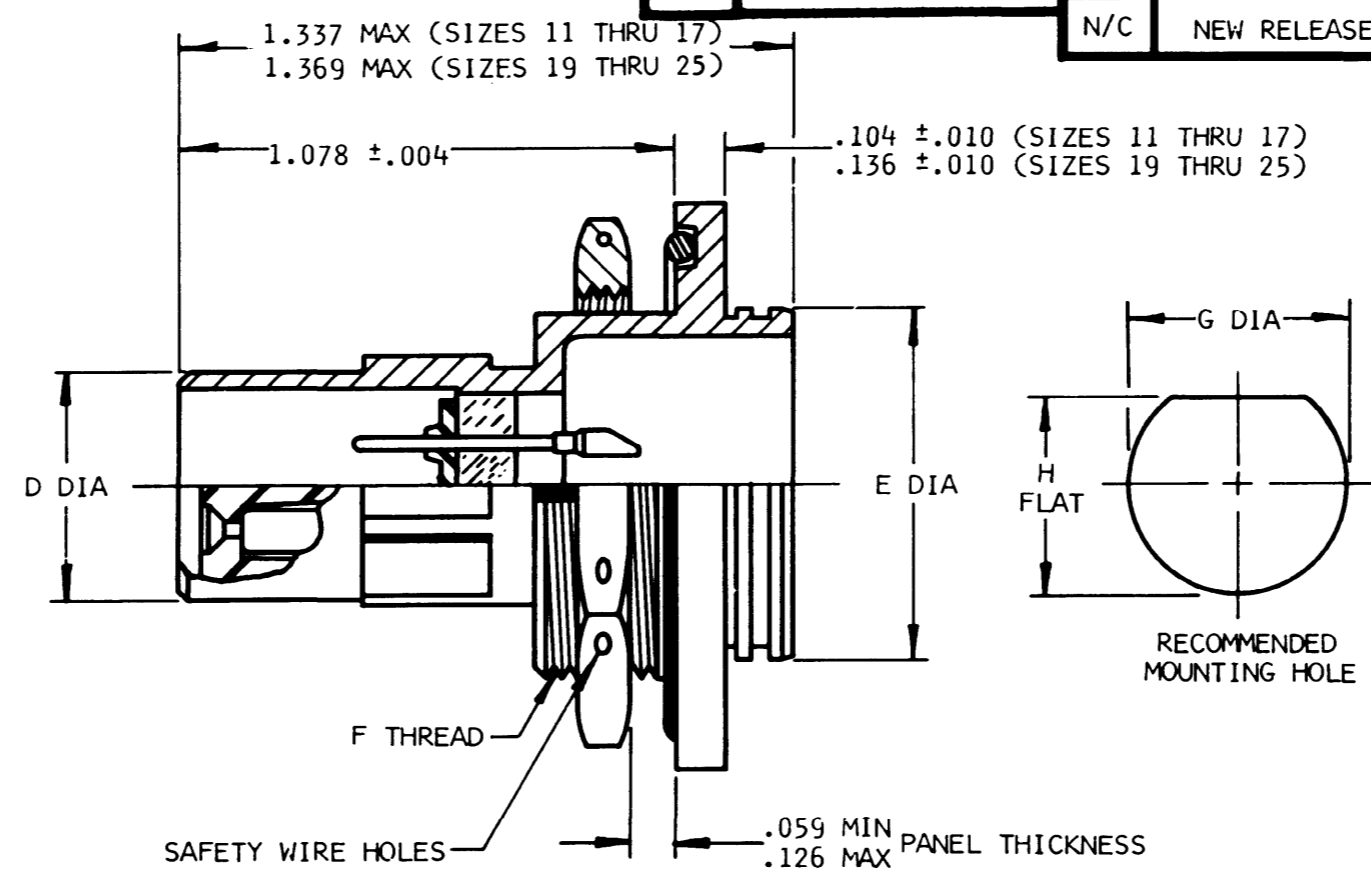
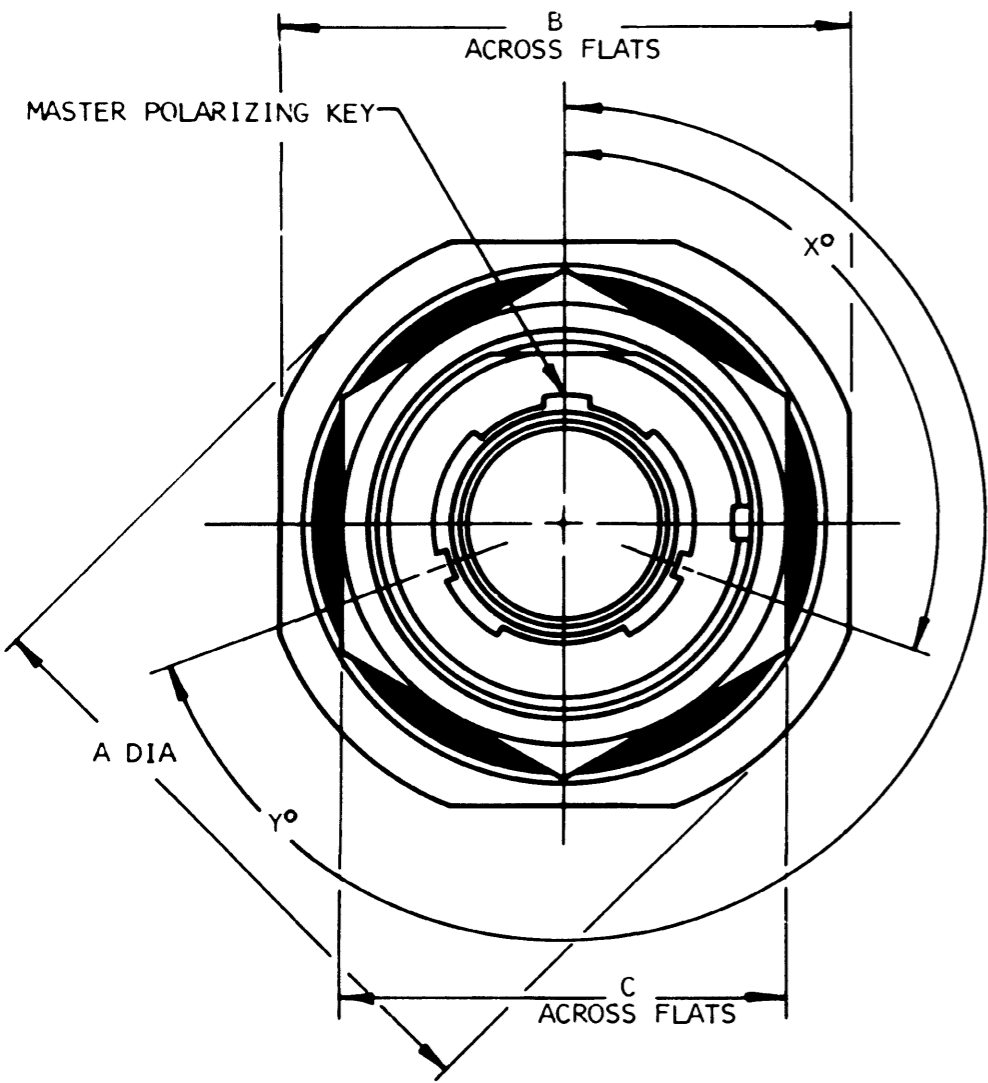


N/C DIV44H...P/S

REVISIONS

SYM	DESCRIPTION	DATE	APPROVED
N/C	NEW RELEASE PER E.O.92893	12/15/81	T.H.

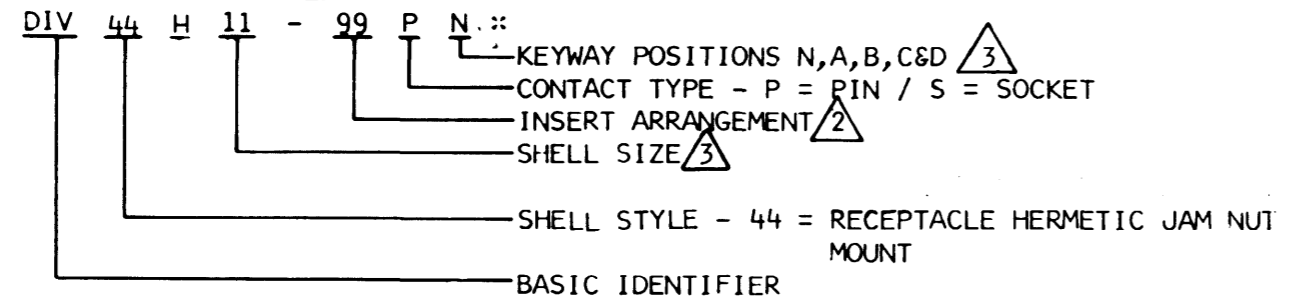


SHELL SIZE	G +.010 -.000	H +.000 -.010
11	.822	.769
13	1.007	.955
15	1.134	1.084
17	1.259	1.208
19	1.384	1.333
21	1.507	1.459
23	1.634	1.584
25	1.759	1.709

SHELL SIZE	A ±.010	B ±.016	C ±.012	D ±.003	E ±.009	F THREAD
11	1.375	1.250	1.047	.505	.770	M20 X 1-6g 0.100R
13	1.500	1.375	1.247	.630	.900	M25 X 1-6g 0.100R
15	1.625	1.500	1.405	.755	1.026	M28 X 1-6g 0.100R
17	1.750	1.625	1.441	.881	1.148	M32 X 1-6g 0.100R
19	1.938	1.812	1.598	1.005	1.274	M35 X 1-6g 0.100R
21	2.062	1.938	1.797	1.130	1.400	M38 X 1-6g 0.100R
23	2.188	2.062	1.954	1.255	1.526	M41 X 1-6g 0.100R
25	2.312	2.188	1.954	1.380	1.648	M44 X 1-6g 0.100R

ALTERNATE KEYWAY POSITIONS	X°	Y°
N	110°	250°
A	100°	260°
B	90°	270°
C	80°	280°
D	70°	290°


- 7. MATERIAL:  
SHELL AND JAM NUT - STAINLESS STEEL  
CONTACTS - NICKEL IRON  
O-RING - FLUID RESISTANT SILICONE BASE ELASTOMER  
GLASS - COMPRESSION GLASS (CORNING 9013)  
INSERT - POLYAMIDE - IMIDE PLASTIC (SOCKET CONNECTOR)  
SEALS - DEUTSCH FLUID RESISTANT SILICONE ELASTOMER
- 6. FINISH:  
SHELL AND JAM NUT - ELECTRODEPOSITED NICKEL  
CONTACTS - GOLD PLATED PER MIL-G-45204, TYPE II, CLASS 1 OVER NICKEL
- 5. THIS CONNECTOR WILL INTERMATE WITH APPLICABLE MIL-C-38999 SERIES IV TYPE CONNECTORS.
- 4. PART NUMBER EXAMPLE:  
DIV 44 H 11 - 99 P N::



**NOTE:**  
 1. DIMENSIONS ARE IN INCHES UNLESS OTHERWISE SPECIFIED  
 2. FOR INSERT ARRANGEMENT INFORMATION SEE DEUTSCH DRAWING 1225-201-000  
 3. FOR AVAILABLE SHELL SIZES AND ALTERNATE KEYWAY POSITIONS CONSULT DEUTSCH COMPANY.

SIGNATURE & DATE	
DR	<i>J. Brandes</i> 11/13/81
CHK	<i>Timothy J. G. 82</i>
PE	<i>P. Tripp</i> 12/11/81
APPD	
SCALE	NONE
WT	

RECEPTACLE  
HERMETIC JAM NUT MOUNTING  
BREECH COUPLING  
MIL-C-38999 SERIES IV  
  
ENVELOPE

CP	MATL CODE
<b>The Deutsch Company</b> ELECTRONIC COMPONENTS DIVISION  Municipal Airport Banning, California	
B	DIV44H...P/S
DWG SIZE	CODE 11139 SHEET 1 OF 1