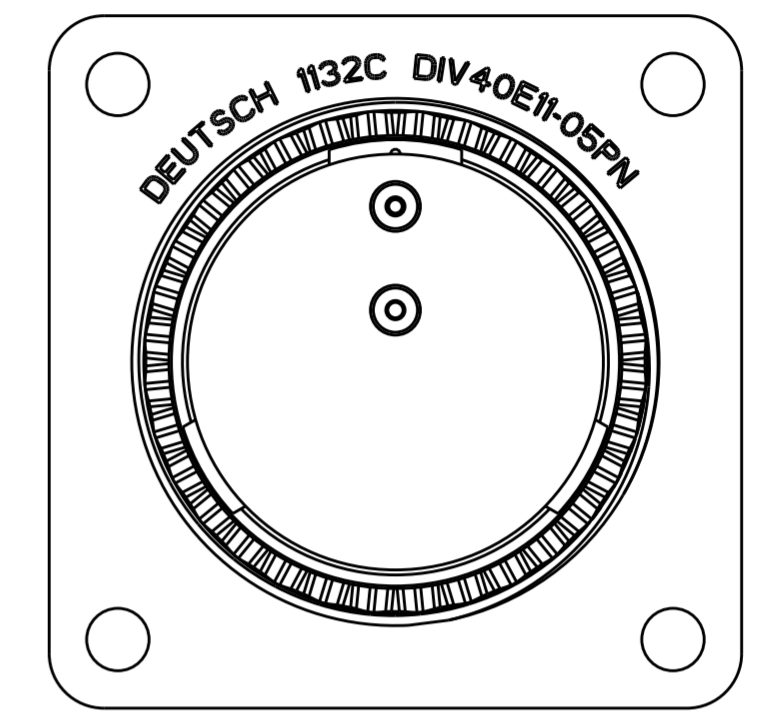
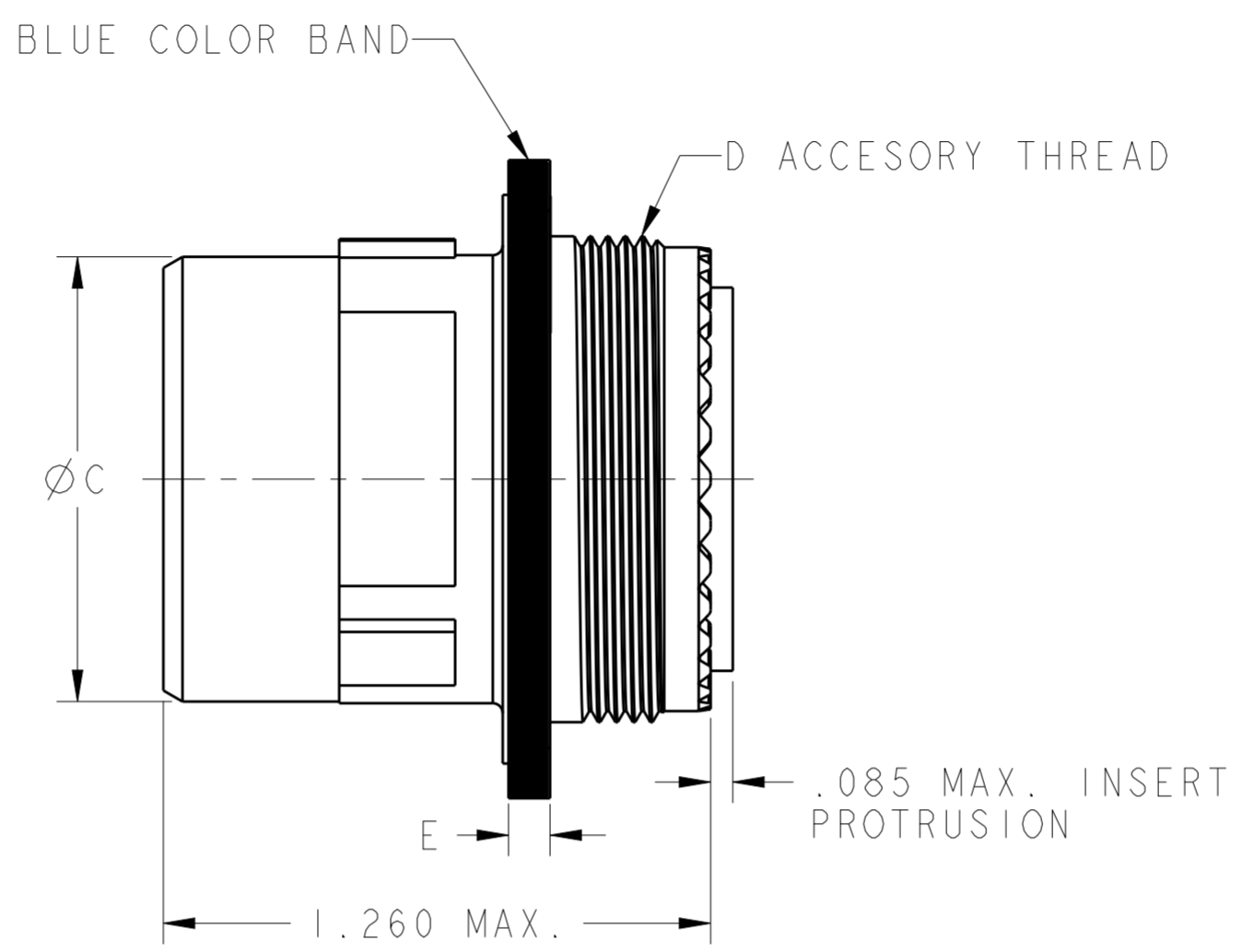
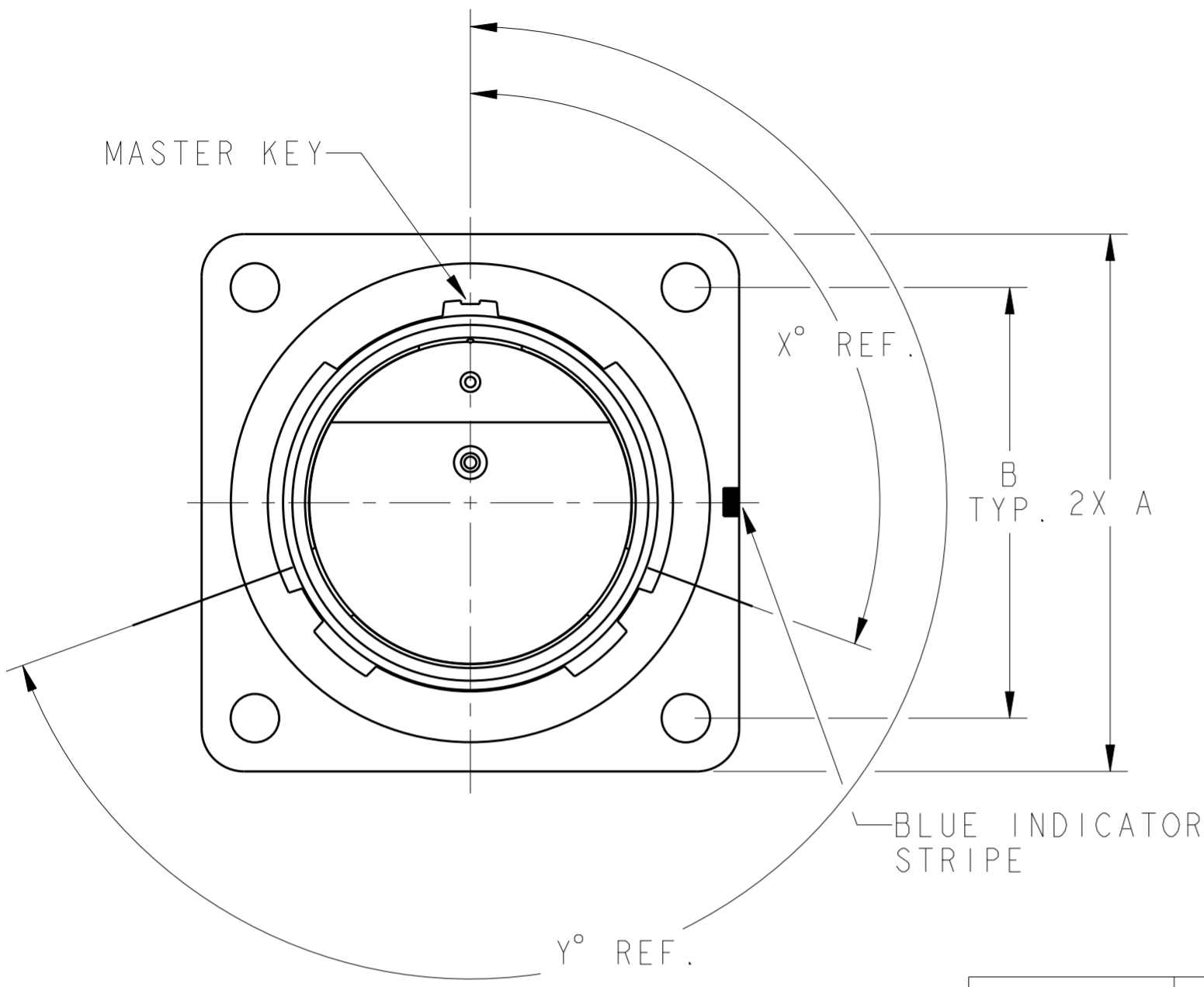


THIS DRAWING IS UNPUBLISHED. RELEASED FOR PUBLICATION 2015
 © COPYRIGHT 2015 BY - TE CONNECTIVITY OCEANSIDE ALL RIGHTS RESERVED.

PROPERTY OF TE CONNECTIVITY
 THIS INFORMATION IS CONFIDENTIAL AND PROPRIETARY TO TYCO ELECTRONICS CORPORATION AND ITS WORLDWIDE SUBSIDIARIES AND AFFILIATES (TE). IT MAY NOT BE DISCLOSED TO ANYONE, OTHER THAN TE PERSONNEL, WITHOUT AUTHORIZATION FROM TE (www.TE.com).

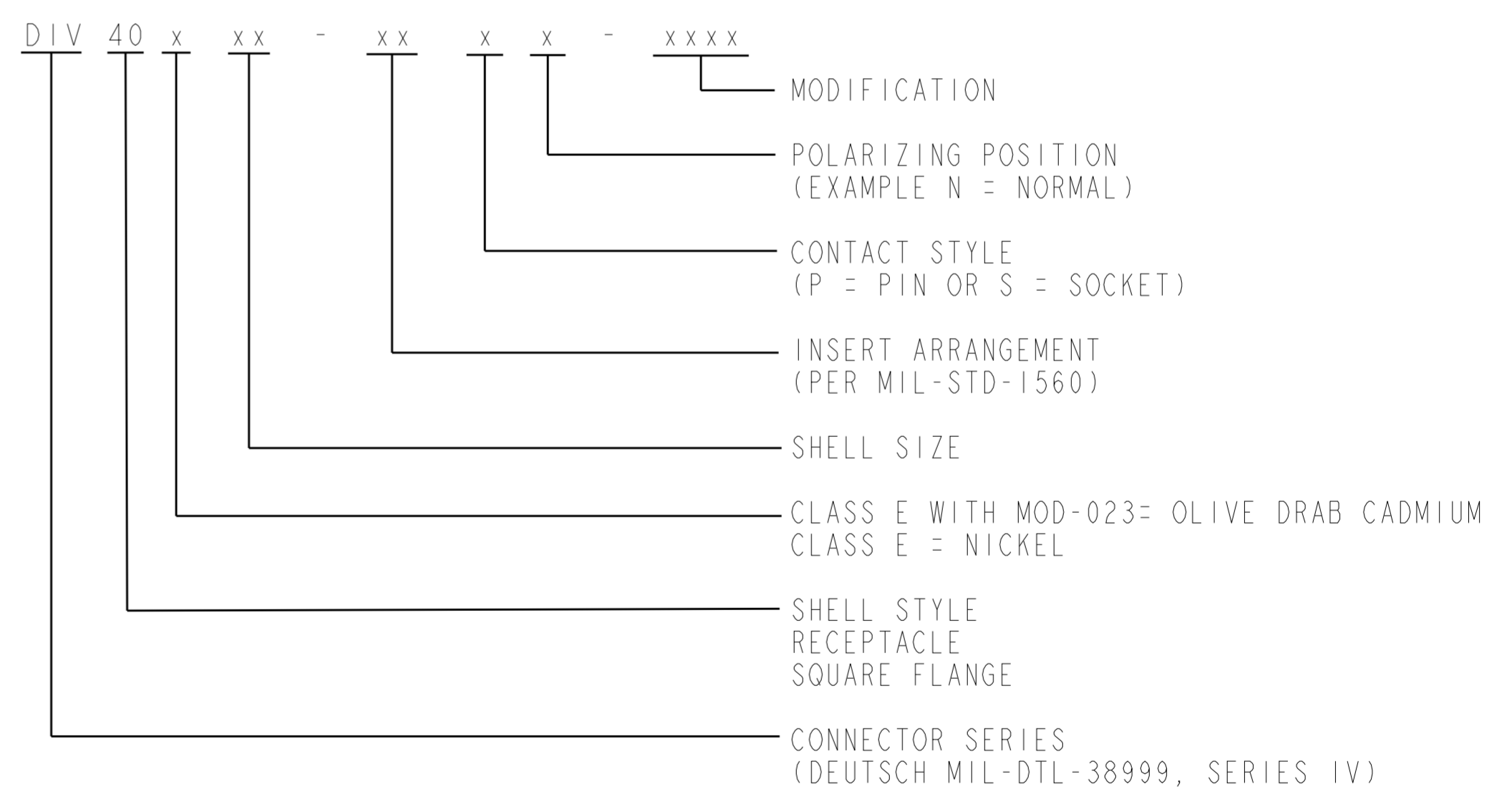
| REVISIONS | | | | | |
|-----------|-----|---------------------------|------|-----|------|
| P | LTR | DESCRIPTION | DATE | DWN | APVD |
| | A | REVISED PER ECO-16-000573 | SS | AT | |



| CLOCKING | X° REF | Y° REF |
|----------|--------|--------|
| N | 110 | 250 |
| A | 100 | 260 |
| B | 90 | 270 |
| C | 80 | 280 |
| D | 70 | 290 |
| K | 120 | 255 |

| PART NUMBER | A±.020 | B±.005 | C±.003 | D THREAD METRIC | E±.009 |
|-----------------|--------|--------|--------|-------------------|--------|
| DIV40x11-xxP/Sx | 1.030 | .812 | .506 | M15X1.0-6g 0.100R | .093 |
| DIV40x13-xxP/Sx | 1.124 | .906 | .631 | M18X1.0-6g 0.100R | .093 |
| DIV40x15-xxP/Sx | 1.219 | .969 | .756 | M22X1.0-6g 0.100R | .093 |
| DIV40x17-xxP/Sx | 1.313 | 1.062 | .882 | M25X1.0-6g 0.100R | .093 |
| DIV40x19-xxP/Sx | 1.439 | 1.156 | 1.006 | M28X1.0-6g 0.100R | .093 |
| DIV40x21-xxP/Sx | 1.561 | 1.250 | 1.131 | M31X1.0-6g 0.100R | .124 |
| DIV40x23-xxP/Sx | 1.687 | 1.375 | 1.256 | M34X1.0-6g 0.100R | .124 |
| DIV40x25-xxP/Sx | 1.813 | 1.500 | 1.381 | M37X1.0-6g 0.100R | .124 |

EXAMPLE OF PART NUMBER:



3. FOR APPLICABLE KEYING DIAGRAM, AVAILABLE INSERT ARRANGEMENTS, AND PANEL CUTOUT DIMENSIONS, SEE MIL-DTL-38999 SERIES IV AND MIL-STD-1560.

2. GENERAL SPECIFICATIONS: THIS CONNECTOR MEETS THE PERFORMANCE AND INTERMATEABILITY REQUIREMENTS OF MIL-DTL-38999, SERIES IV.

⚠ MATERIAL/FINISH: SHELL - ALUMINUM ALLOY / NICKEL PLATED.
 CONTACTS - COPPER ALLOY, GOLD PLATED.
 INSERTS - SILICONE ELASTOMER AND HIGH GRADE PLASTIC.

NOTES: UNLESS OTHERWISE SPECIFIED.

| | | | | | |
|--|--|--------------------------|------------------------|---|-----------------|
| THIS DRAWING IS A CONTROLLED DOCUMENT. | | DWN S. SOTELO 161007 | | TE Connectivity | |
| DIMENSIONS: INCHES | | CHK E. ALAWNEH 161007 | | NAME RECEPTACLE, SQUARE FLANGE MOUNTING BREECH COUPLING DEUTSCH MIL-DTL-38999 SERIES IV CONNECTOR | |
| TOLERANCES UNLESS OTHERWISE SPECIFIED: | | APVD A. TEUNISSEN 161007 | PRODUCT SPEC D38999/40 | | |
| 0 PLC ± | | APPLICATION SPEC | | SIZE A2 | CAGE CODE 11139 |
| 1 PLC ±0.1 | | WEIGHT | | SCALE 1:1 | SHEET OF |
| 2 PLC ±0.01 | | MATERIAL SEE NOTE 1 | | REV A | |
| 3 PLC ±0.005 | | FINISH SEE NOTE 1 | | | |
| 4 PLC ±0.0005 | | | | | |
| ANGLES ±5° | | | | | |