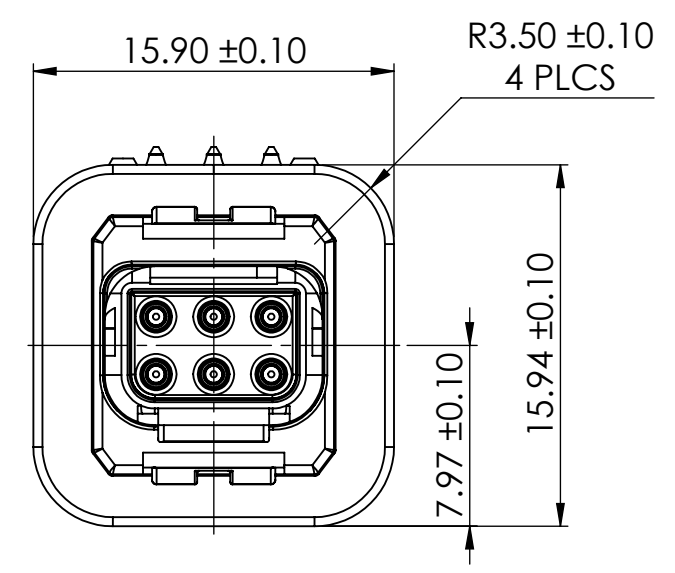
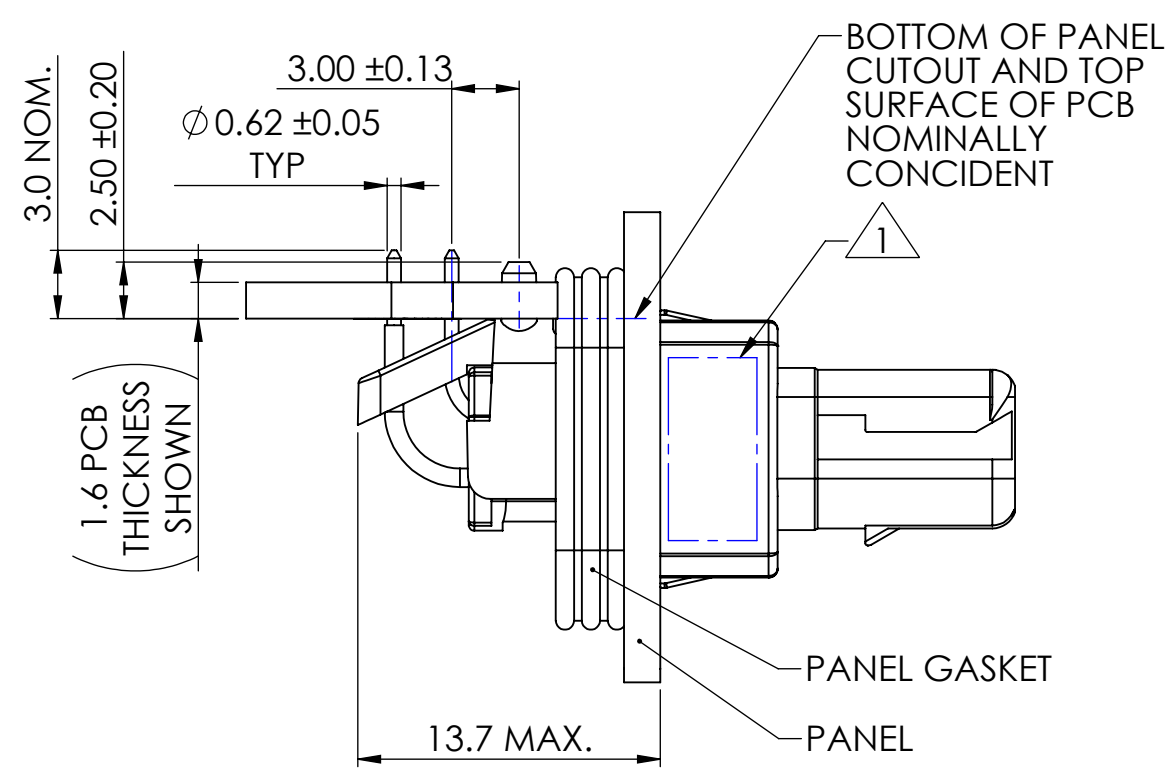
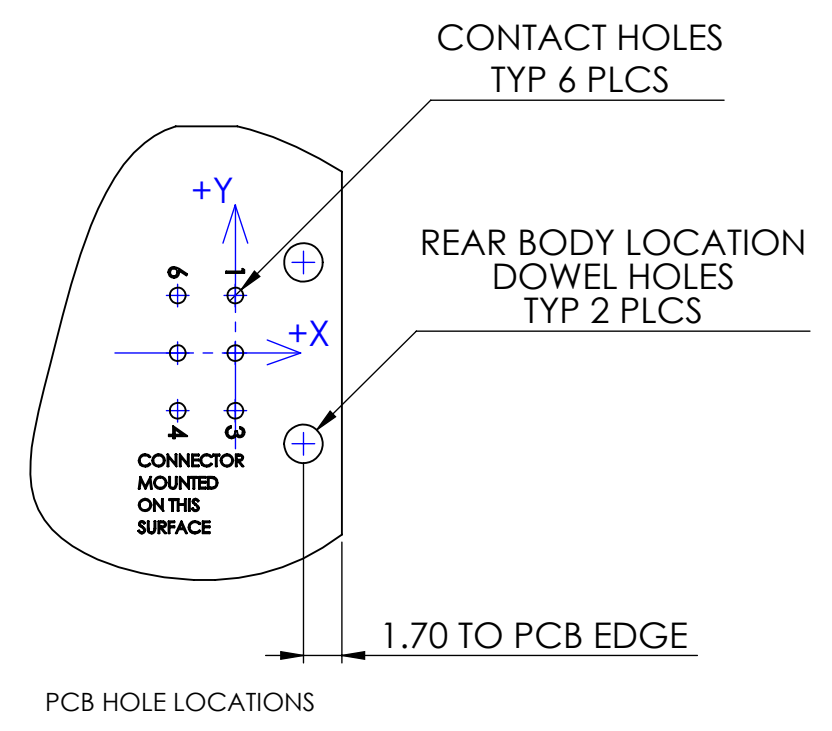
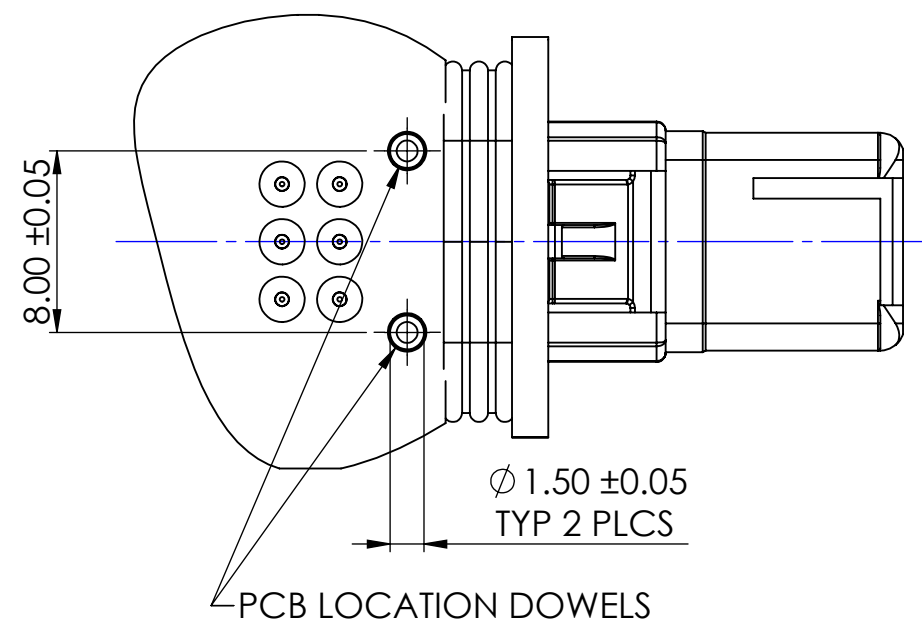
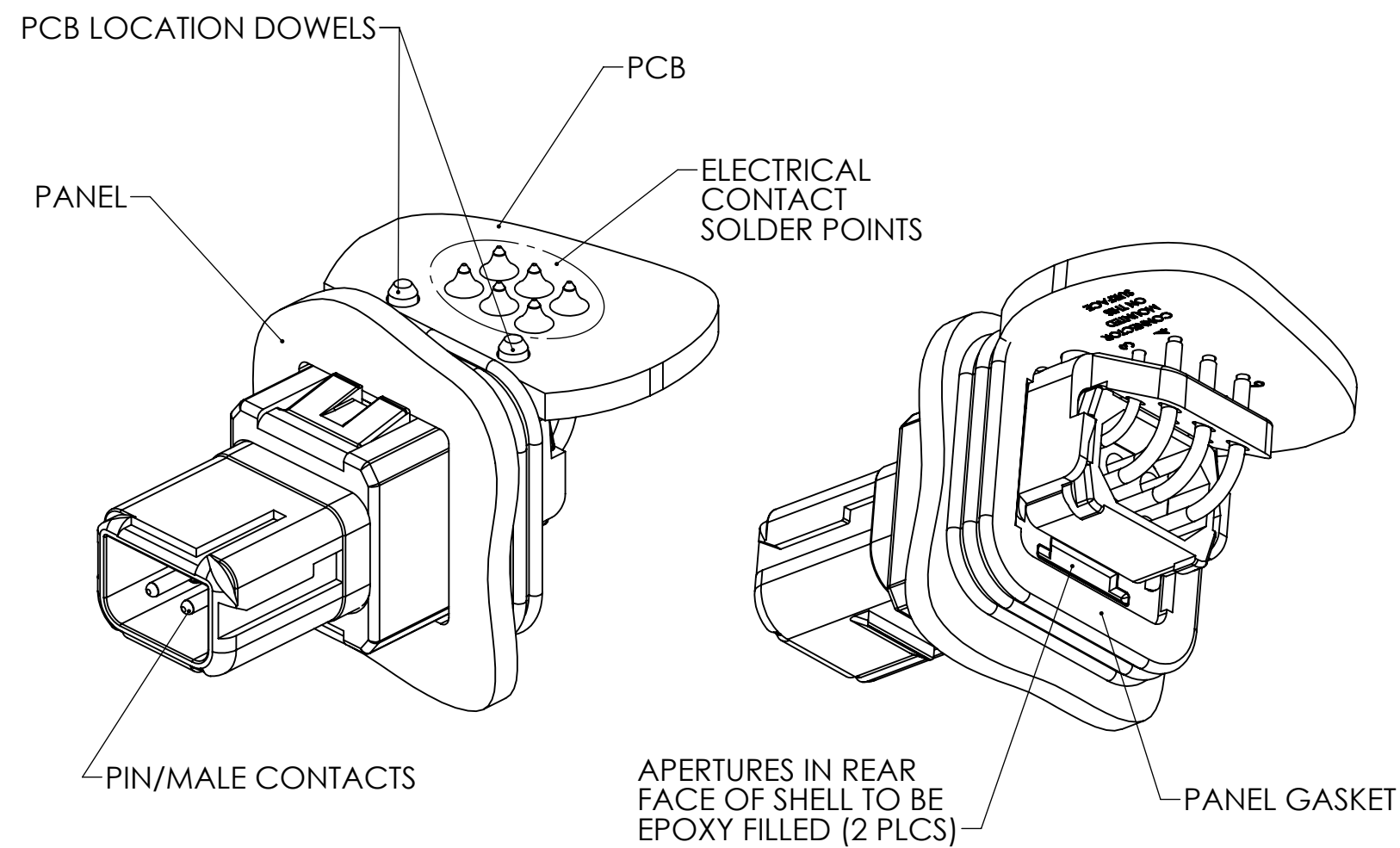


DRAWING NUMBER:  
**ENV-122K**



**NOTES:**

1. MARKED WITH DEUTSCH PART No., DEUTSCH (HASTINGS) CAGE CODE AND DATE CODE.

PART NUMBER EXAMPLE: D369 - B 6 6 - N P 4 - 122K

BASIC PART No.	MOD CODE
SHELL STYLE (FLANGE MOUNT)	CONTACT CONFIGURATION
SHELL SIZE	(GOLD PLATED CONTACTS, 90° PCB MOUNTING.)
CONTACT QTY	CONTACT TYPE (P = PIN/MALE)
(6 = 6 x #22's)	
SHELL KEYING	

2. PERFORMANCE:  
 TEMPERATURE RANGE : -55°C TO +175°C.  
 DIELECTRIC WITHSTAND: 1500VRMS, <2mA.  
 ALTITUDE PERFORMANCE: RTCA DO160 CATEGORY A4  
 HUMIDITY PERFORMANCE: RTCA DO160 CATEGORY A

PANEL SEALING: TO BE VERIFIED ON FIRST BUILD BY CUSTOMER.

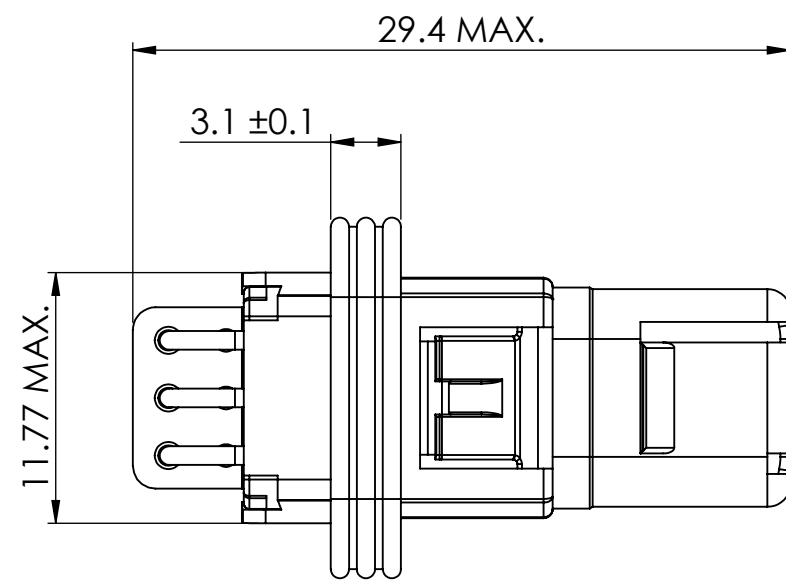
3. MATERIALS:

COMPONENT	MATERIAL (FINISH: NONE UNLESS STATED)
SEALS / PANEL GASKET	FLUOROSILICONE RUBBER
BODY / INSERT COMPONENTS	THERMOPLASTIC

4. RECOMMENDED PANEL THICKNESS: 1.60mm  
 REFER TO INSTRUCTION SHEET 408-32194 FOR PANEL CUTOUT DIMENSIONS.

5. MAXIMUM WEIGHT: 9.5g (TBC)

6. INTERMATEABLE WITH TE PART NUMBER D369-P66-NS\*



HOLE TABLE			
HOLE TYPE	CO-ORDINATES		HOLE POSITION TOLERANCE
	'X'	'Y'	
PCB LOCATION HOLES	+3.00 REF	+4.00 REF	Ø0.10
	+3.00 REF	-4.00 REF	
CONTACT TAIL HOLES	LOCATION	-	HOLE DIAMETER AND TOLERANCE AND HOLE POSITION TOLERANCES TO SUIT CUSTOMER PCB DESIGN GUIDELINES
	1	-2.54	
	2	-2.54	
	3	-2.54	
	4	0	
	5	0	
6	0	-2.54	

BS8888 THIRD ANGLE PROJECTION	MATERIAL: <b>SEE TABLE</b>	FINISH: <b>SEE TABLE</b>	 <b>DEUTSCH</b> <small>TE CONNECTIVITY UK LTD., ST. LEONARDS-ON-SEA, TN38 9RF, UK.</small>
UNLESS OTHERWISE STATED: DIMENSIONS: mm [INCHES]	TITLE: <b>D369 PANEL MOUNT PCB RECEPTACLE - 122K MOD</b> TYPE: CUSTOMER DRAWING		
IF IN DOUBT, ASK	SIZE: <b>A2</b>	SCALE: <b>3:1</b>	DRAWING NUMBER: <b>ENV-122K</b>
			SHEET: <b>1 OF 1</b> ISSUE: <b>AB</b>

THIS INFORMATION IS CONFIDENTIAL AND PROPRIETARY TO TYCO ELECTRONICS CORPORATION AND ITS WORLDWIDE SUBSIDIARIES AND AFFILIATES (TE). IT MAY NOT BE DISCLOSED TO ANYONE, OTHER THAN TE PERSONNEL, WITHOUT AUTHORIZATION FROM TE (www.te.com).

AB	DUK-70564	JCB	NDL	RJM	CEO	29/05/2019
ISSUE	CHANGE NOTE	DRAWN	CHECKED	APP. ENG.	APP. MARKETING	DATE