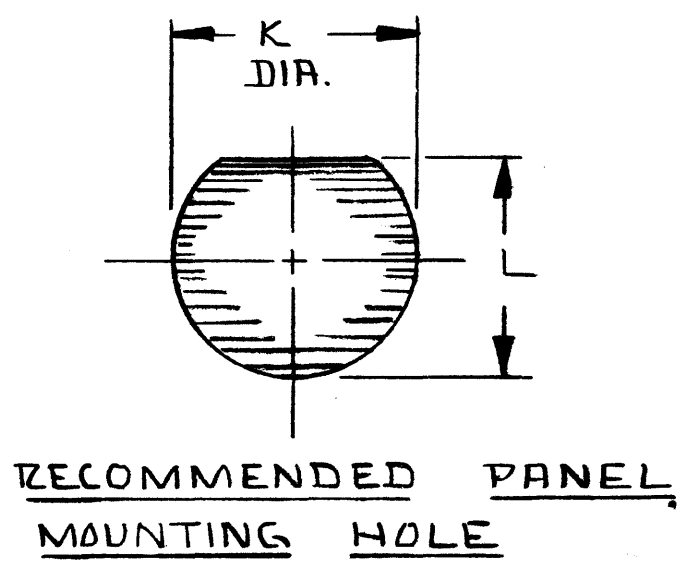
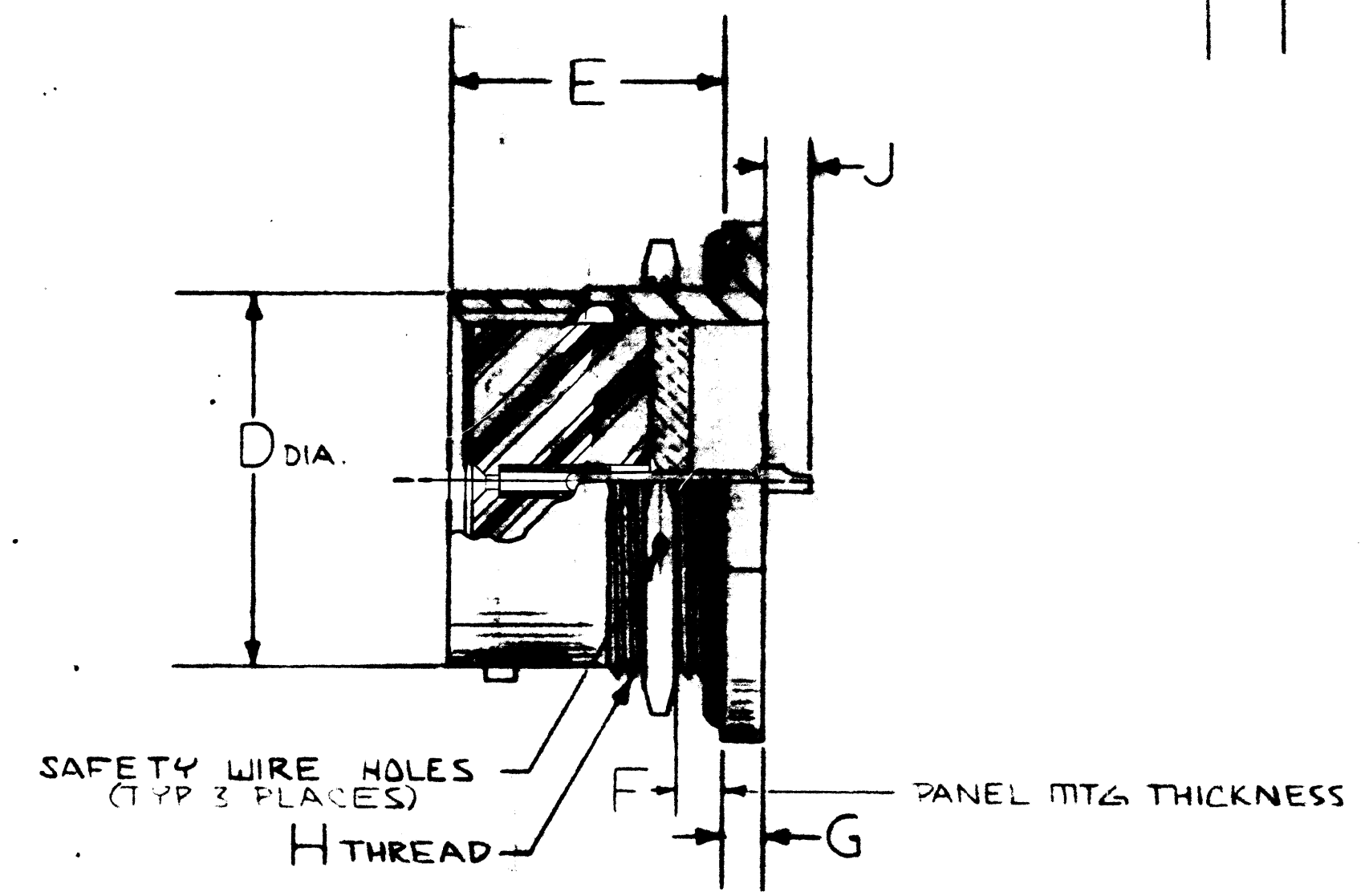
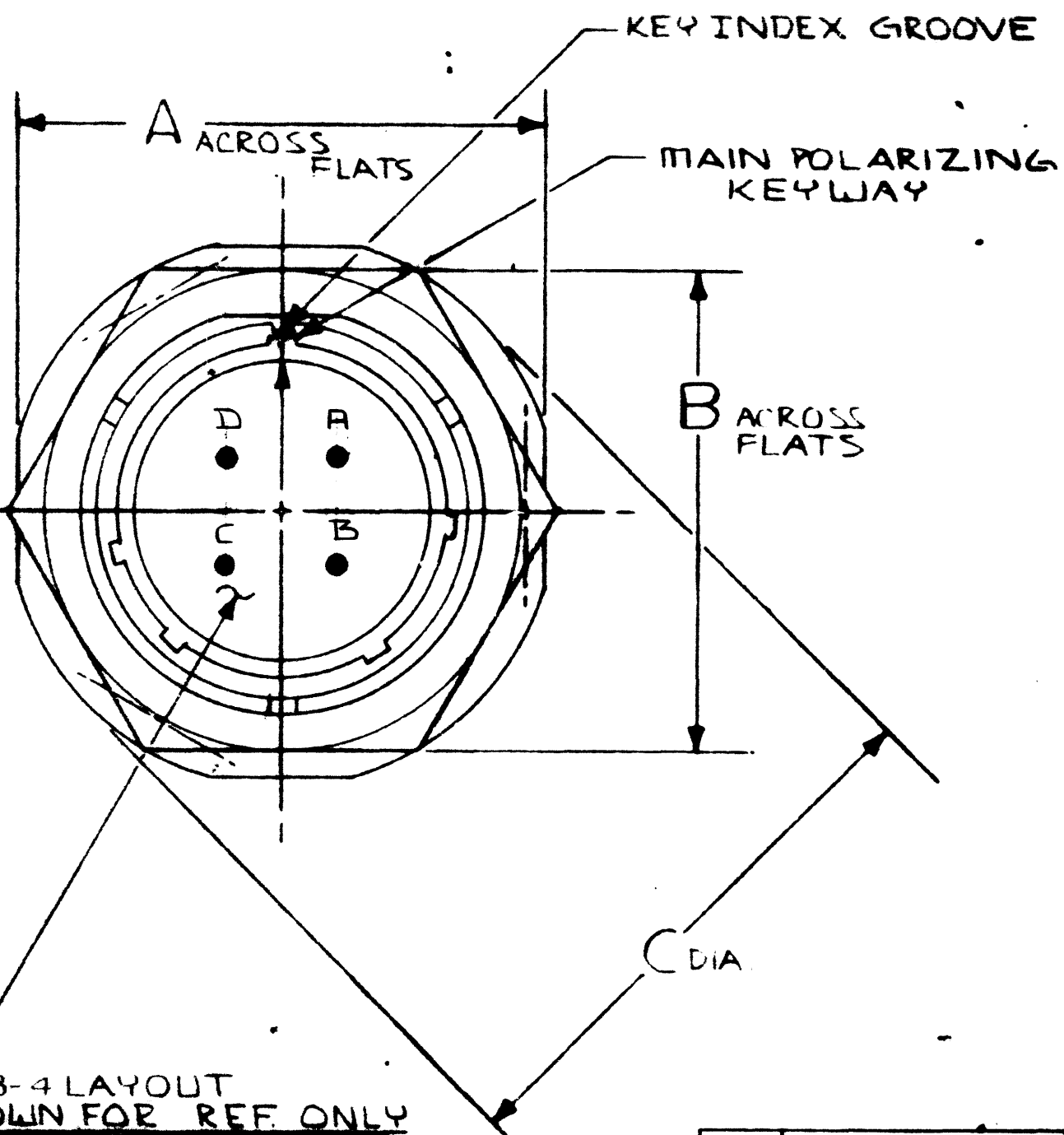


REVISIONS				
REV	DESCRIPTION	DATE	APPROVAL	
NONE	EO 47070 NEW RELEASE	12-7-7	ZJZ	



8-4 LAYOUT
SHOWN FOR REF ONLY

SHELL SIZE	PART NUMBER	A ^{+0.016}	B ^{+0.016}	C MAX	D ^{+0.001 -0.005}	E ^{+0.008}	F ^{MIN/MAX}	G ^{+0.008}	H THREAD CLASS-2 A	CONTACT SIZE	J ^{+0.030}	SHELL SIZE	K ^{+0.010 -0.000}	L ^{+0.000 -0.010}
8	DBC54H-8-MS*	.938	.750	1.078	.473	.699	.062/.187	.105	9/16 - 24UNEF	20	.104	8	.572	.537
10	DBC54H-10-MS*	1.062	.875	1.203	.590				11/16 - 24UNEF	16	.174	THRU	.697	.661
12	DBC54H-12-MS*	1.250	1.062	1.391	.750				7/8 - 20UNEF	12	.174	18	.895	.824
14	DBC54H-14-MS*	1.375	1.188	1.516	.875				1 - 20UNEF	20	.069	20	1.010	.948
16	DBC54H-16-MS*	1.500	1.312	1.641	1.000				1-1/8 - 18UNEF	16	.139	THRU	1.135	1.072
18	DBC54H-18-MS*	1.625	1.438	1.766	1.125	.699	.187	.105	1-1/4 - 18UNEF	12	.139	24	1.260	1.197
20	DBC54H-20-MS*	1.812	1.562	1.954	1.250	.763	.250	.188	1-3/8 - 18UNEF				1.385	1.322
22	DBC54H-22-MS*	1.938	1.688	2.078	1.375	.763			1-1/2 - 18UNEF				1.510	1.447
24	DBC54H-24-MS*	2.062	1.812	2.203	1.500	.794	.062/.250	.138	1-5/8 - 18UNEF				1.635	1.572

REV	DBC54H-MS*
-----	------------

4. MATERIALS - SHELL - BIII3 CR.S
CONTACTS - 152 ALLOY
INSERT - PLASTIC
INSERT - GLASS COMPRESSION
WIRING - SILICONE

3. FINISH - SHELL - TIN OVER NICKEL; SOCKET CONTACTS - GOLD OVER COPPER;
PIN CONTACTS - GOLD OVER NICKEL.

2 CONTACT IDENTIFICATION IS IN CONTRASTING COLOR TO INSERTS

1. INSERTS ARE CONTINUOUS DIELECTRIC

NOTES:

ITEM	QTY	PART NUMBER	DESCRIPTION	NEXT ASSY	USED ON
LIST OF MATERIAL					
TOLERANCES UNLESS OTHERWISE SPECIFIED: FRACTIONS: ± 0.015 DECIMALS: ± .005 ANGLES: ± 0° 30' 0" FINISH: TYP PARTS TO BE FREE OF BURRS AND SHARP EDGES			SIGNATURE & DATE		ENVELOPE RECEPTACLE, CONN HERMETIC DB SERIES JAM NUT MOUNTING TYPE SIZE 8-24 SCALE NONE WT
MATERIAL NOTED			DR	<i>[Signature]</i>	
FINISH NOTED			CHK		
			PE		
			ELC	<i>[Signature]</i>	The Deutsch Company ELECTRONIC COMPOSITIVE SYSTEM Municipal Airport • Brea, California
			APPD		
			C DBC54H-MS* SHEET 1 OF 1		