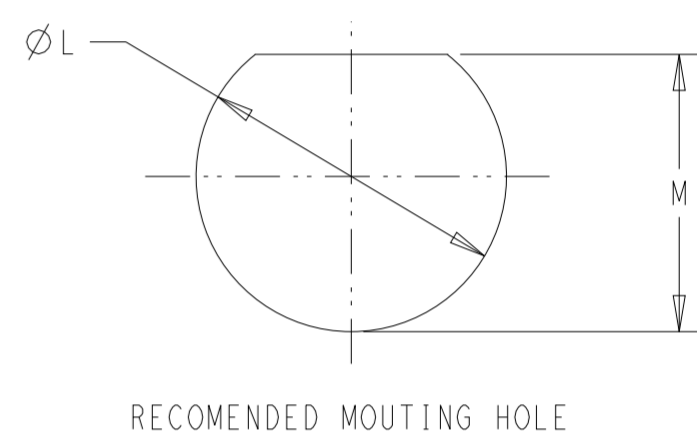
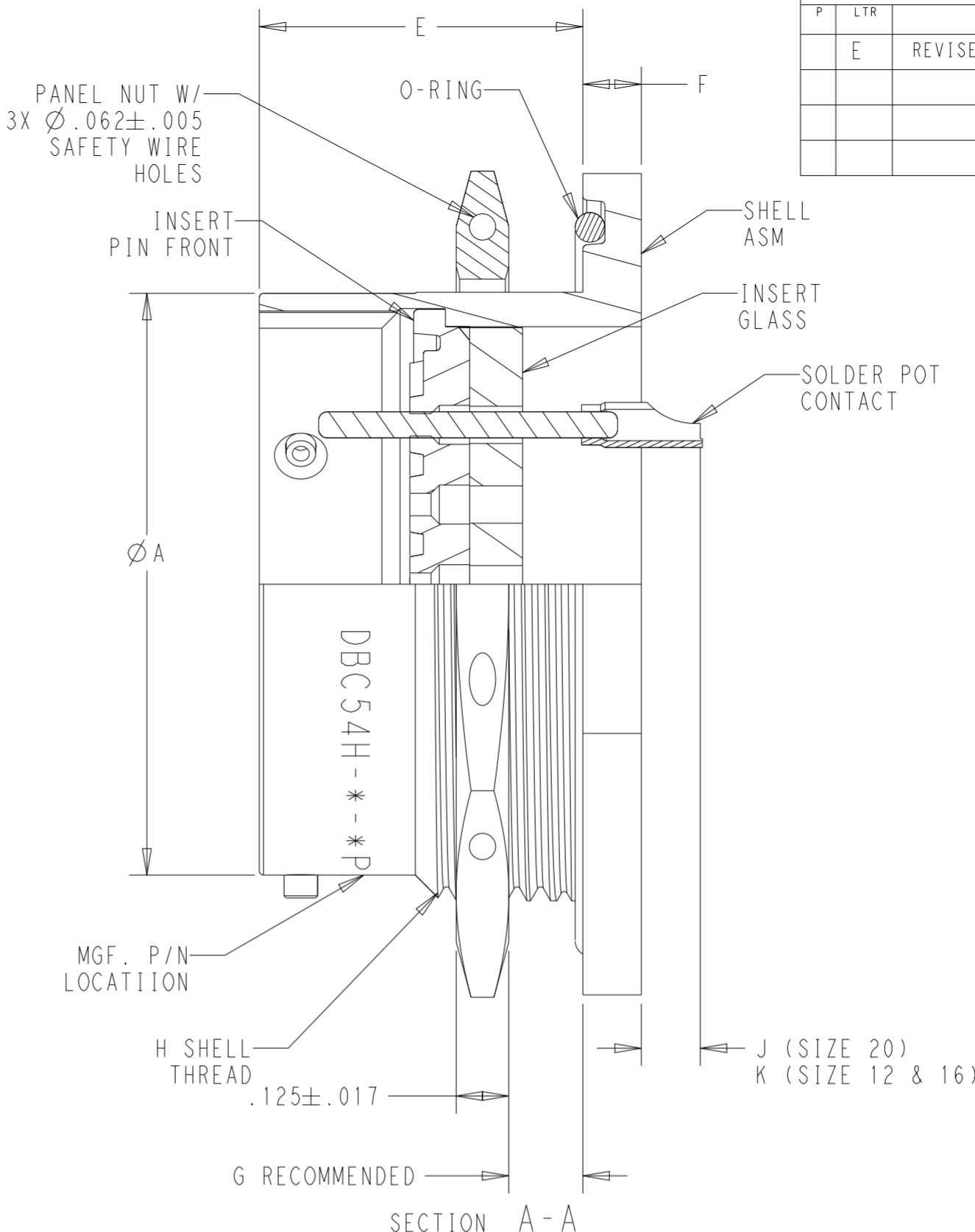
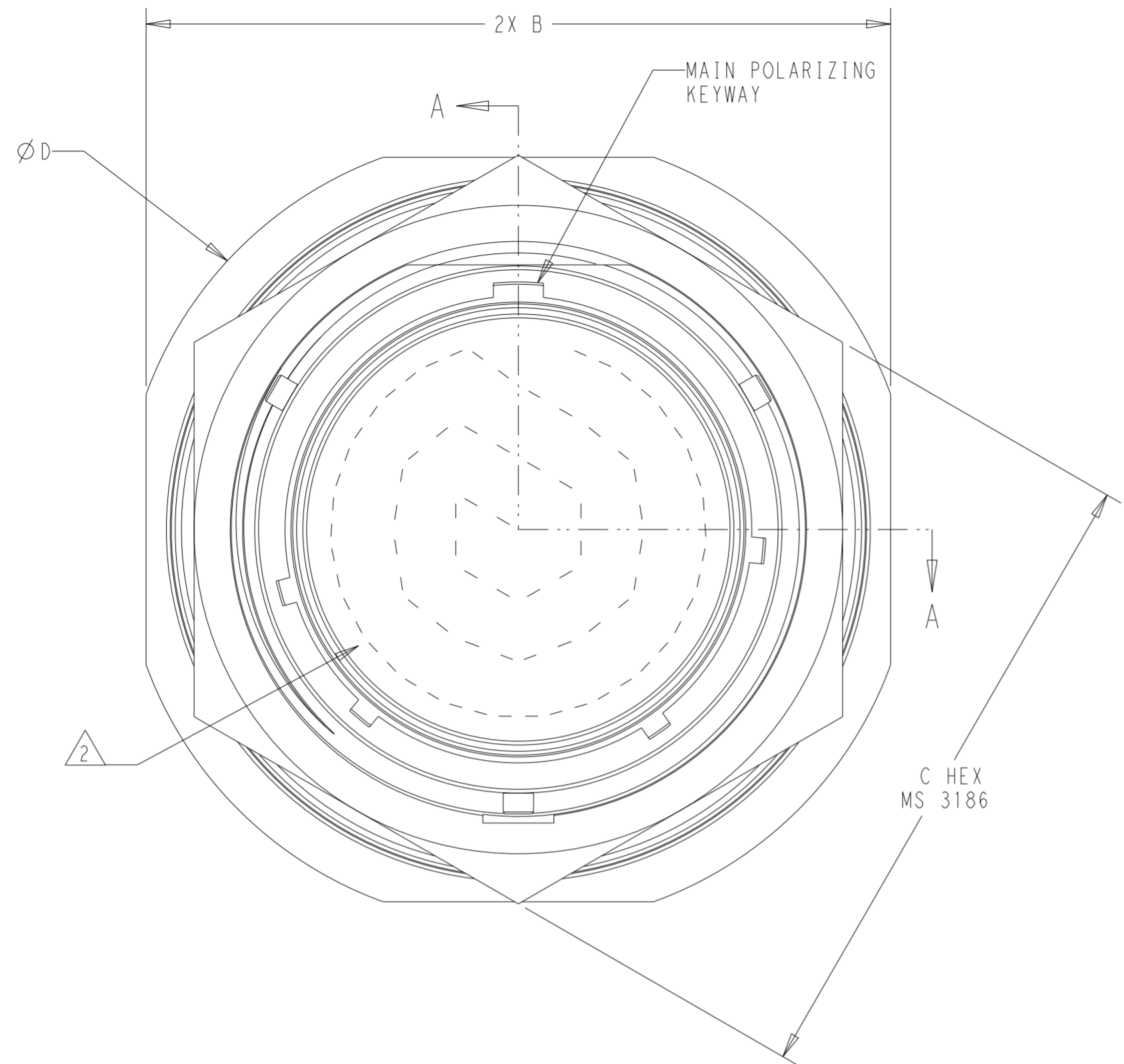


P	LTR	DESCRIPTION	DATE	DWN	APVD
E		REVISED PER ECN-22-152974	09MAY2022	OG	LM



PART No:	+ .001 A- .005	B±.015	C±.017	D±.015	E±.008	F±.008	G PANEL THK. MIN MAX	H THREAD CLASS 2A	J±.030	K±.030	+ .010 L- .000	+ .010 M- .000	WEIGHT MAX (lb.)
DBC54H-8-*P*	.473	.938	.750	1.062	.699	.105	.062 .187	.5625-24UNEF	.104	.174	.572	.537	.043
DBC54H-10-*P*	.590	1.062	.875	1.187	.699	.105	.062 .187	.6875-24UNEF	.104	.174	.697	.661	.061
DBC54H-12-*P*	.750	1.250	1.062	1.375	.699	.105	.062 .187	.8750-20UNEF	.104	.174	.895	.824	.088
DBC54H-14-*P*	.875	1.375	1.188	1.500	.699	.105	.062 .187	1.0000-20UNEF	.104	.174	1.010	.948	.110
DBC54H-16-*P*	1.000	1.500	1.312	1.625	.699	.105	.062 .187	1.1250-18UNEF	.104	.174	1.135	1.072	.131
DBC54H-18-*P*	1.125	1.625	1.438	1.750	.699	.105	.062 .187	1.2500-18UNEF	.104	.174	1.260	1.197	.172
DBC54H-20-*P*	1.250	1.812	1.562	1.938	.763	.138	.062 .250	1.3750-18UNEF	.069	.139	1.385	1.322	.211
DBC54H-22-*P*	1.375	1.938	1.688	2.062	.763	.138	.062 .250	1.5000-18UNEF	.069	.139	1.510	1.447	.242
DBC54H-24-*P*	1.500	2.062	1.812	2.187	.794	.138	.062 .250	1.6250-18UNEF	.069	.109	1.635	1.572	.293

1. DIMENSIONS ARE IN INCHES UNLESS OTHERWISE SPECIFIED.

2. INSERT ARRANGEMENT PER MIL-STD-1669.

3. LEAK RATE: < 1E-8 cc/sec He @ atm.

4. MATER WITH AFD56-**-**S* DEUTSCH PLUG CONNECTOR.

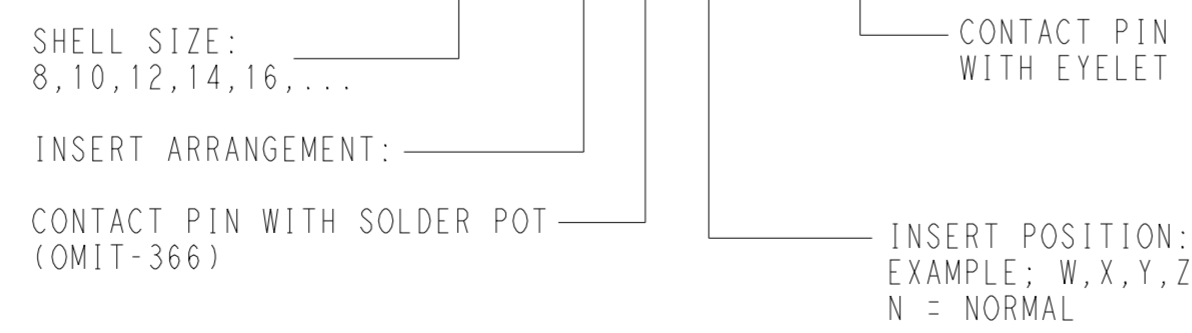
5. MATERIAL:
SHELL & PANEL NUT - C1215 MILD STEEL.
INSULATOR - GLASS INSERT.
CONTACT - 52 HIGH NICKEL - IRON ALLOY.
INSERT PIN FRONT & O-RING - FLUOROSILICONE.

6. FINISH: SHELL - TIN OVER NICKEL PLATE.
CONTACT - GOLD OVER NICKEL PLATE.

NOTE(S):

PART NUMBER DESCRIPTION:

DBC54H - * - * P * - 366



MC: 73 FINISH: SEE NOTE 6

DESCRIPTION:
CONNECTOR, RECEPTACLE
HERMETIC
PIN UNIT
JAM-NUT MOUNT
BAYONET COUPLING
MIL-C-26482 SERIES 2
MS3449
ENVELOPE

CP CAGE CODE 11139

FOR BEST WORKMANSHIP PRACTICES,
REFERENCE TE SPEC 101-32119

THIS DRAWING IS A CONTROLLED DOCUMENT.		DWN 08MAR2022 DAVID CALVARIO	TE Connectivity	
DIMENSIONS: in		CHK 08MAR2022 LUIS MARTINEZ		
TOLERANCES UNLESS OTHERWISE SPECIFIED: 0 PLC ±.1 1 PLC ±.02 2 PLC ±.005 3 PLC ±.005 4 PLC ±.0005 ANGLES ±		APVD 08MAR2022 LUIS MARTINEZ	NAME CONNECTOR, RECEPTACLE HERMETIC	
MATERIAL SEE NOTE 5		FINISH SEE NOTE 6	SIZE A2	CAGE CODE 00779
CUSTOMER DRAWING		SCALE 1:1	DRAWING NO. C-DBC54H-x-xPx	RESTRICTED TO -
		WEIGHT -	SHEET 1	OF 1
			REV E	