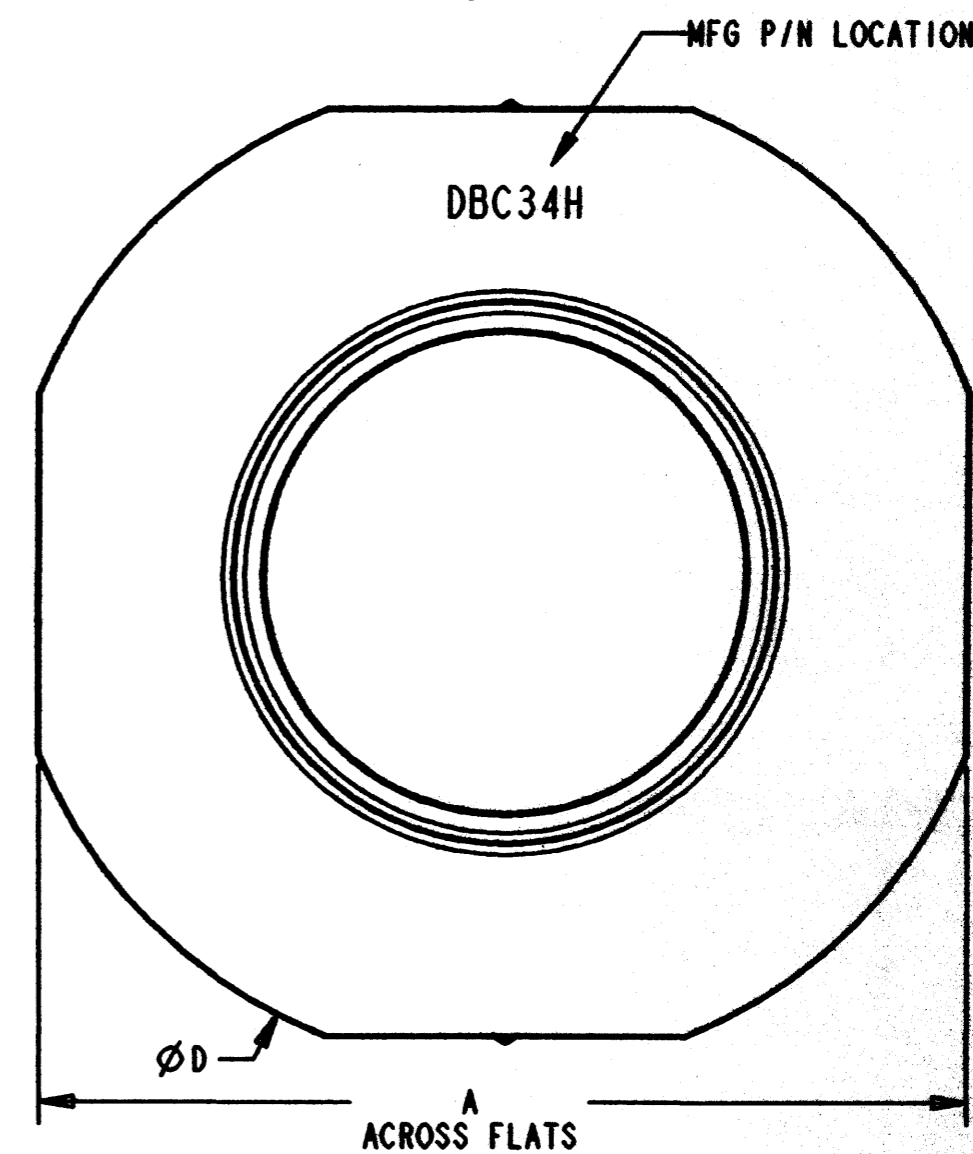
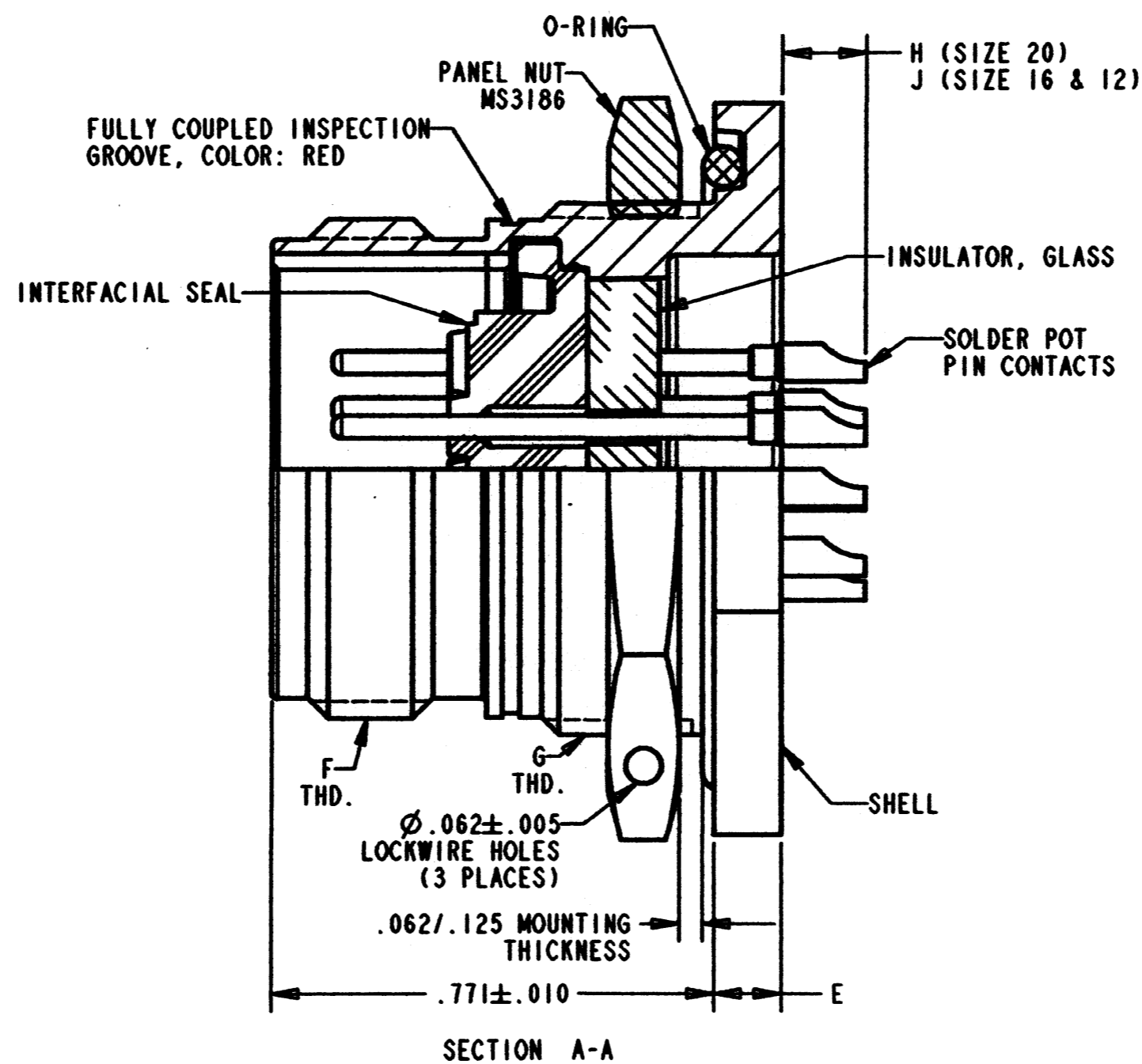
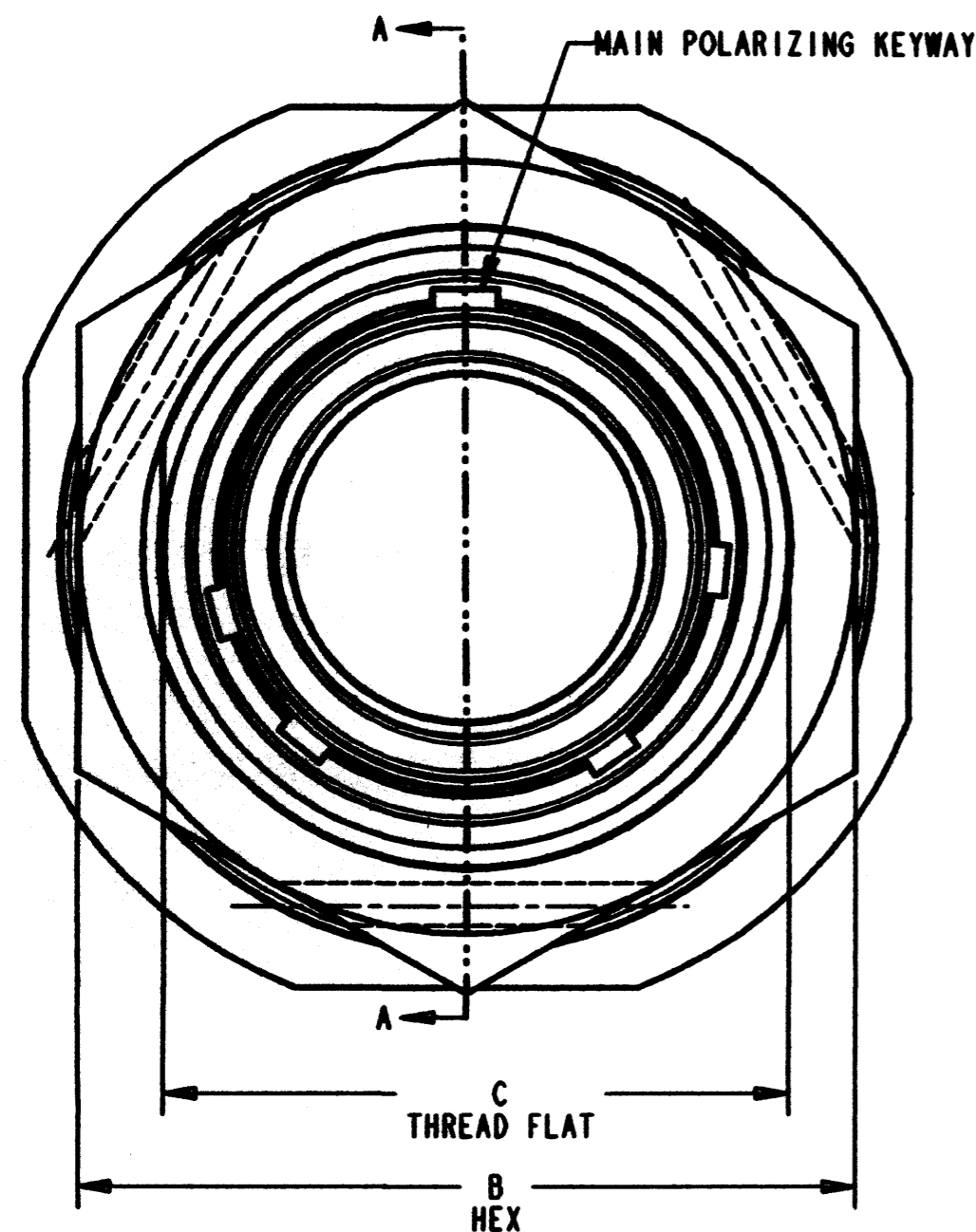


PROPERTY OF DEUTSCH E.C.D.  
THIS DRAWING CONTAINS PROPRIETARY INFORMATION THAT SHALL NOT BE DISCLOSED, DUPLICATED,  
OR USED IN WHOLE OR IN PART FOR ANY PURPOSE OTHER THAN TO EVALUATE THIS DRAWING.

E DBC34H-X-XP\*

REVISIONS			
REV	DESCRIPTIONS	DATE	APPROVED
C	REVISED PER E.O. 91518	3-9-83	T.HOLT
D	NEW RELEASE PER E.O.H2756	8-31-99	L.STOLLE
E	REVISED PER E.O.H2859	11-3-99	L.F. [Signature]



1. DIMENSIONS ARE IN INCHES UNLESS OTHERWISE SPECIFIED.

2. INSERT ARRANGEMENT PER MIL-STD-1554

3. LEAK RATE:  $< 1 \times 10^{-8}$  cc/sec He @ 1 atm.

4. ELECTRICAL REQUIREMENTS MEET MIL-C-83723 SERIES III.

5. MATERIAL:  
SHELL - C1215 COLD ROLLED STEEL  
INSULATOR - COMPRESSION GLASS INSERT  
CONTACT - 52 HIGH NICKEL-IRON ALLOY  
INTERFACIAL SEAL - FLUOROSILICONE ELASTOMER  
O-RING - FLUOROSILICONE ELASTOMER  
PANEL NUT - ALUMINUM ALLOY

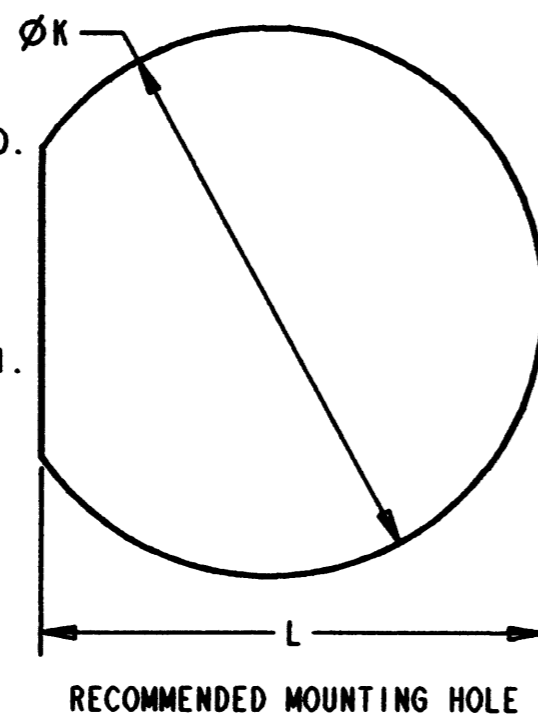
6. FINISH:  
SHELL - TIN OVER NICKEL PLATED  
CONTACT - GOLD OVER NICKEL PLATED  
PANEL NUT - NICKEL PLATED

7. MATES WITH DBA36--\*S\*, CONSULT FACTORY FOR INSERT ARRANGEMENT.

8. MIL-C-83723 SERIES III CONNECTORS ARE INTERCHANGEABLE WITH INACTIVE MIL-C-26500.

9. CONSULT FACTORY FOR AVAILABILITY.

NOTE(S):



SHELL SIZE	PART NO.	A $\pm .015$	B MAX.	C $\pm .003$	D $\pm .015$	E $\pm .010$	F THREAD 2A	G THREAD 2A	H $\pm .030$	J $\pm .030$	$\phi K$ $\pm .005$	L $\pm .005$
8	DBC34H-8-*P*	.964	.829	.593	1.062	.117	.5625-24 UNEF	.6250-20 UNEF	.150	.180	.635	.605
10	DBC34H-10-*P*	1.088	.953	.718	1.177	.117	.6875-24 UNEF	.7500-20 UNEF	.150	.180	.760	.730
12	DBC34H-12-*P*	1.275	1.140	.905	1.364	.117	.8750-20 UNEF	.9375-20 UNEF	.150	.180	.947	.917
14	DBC34H-14-*P*	1.375	1.205	.968	1.500	.117	.9375-20 UNEF	1.0000-20 UNEF	.150	.180	1.010	.980
16	DBC34H-16-*P*	1.500	1.329	1.093	1.625	.117	1.0625-18 UNEF	1.1250-18 UNEF	.150	.180	1.135	1.105
18	DBC34H-18-*P*	1.625	1.455	1.217	1.750	.117	1.1875-18 UNEF	1.2500-18 UNEF	.150	.180	1.260	1.229
20	DBC34H-20-*P*	1.750	1.579	1.342	1.938	.138	1.3120-18 UNEF	1.3750-18 UNEF	.150	.180	1.385	1.354
22	DBC34H-22-*P*	1.938	1.705	1.467	2.062	.138	1.4375-18 UNEF	1.5000-18 UNEF	.139	.169	1.510	1.479
24	DBC34H-24-*P*	2.081	1.892	1.592	2.250	.148	1.5625-18 UNEF	1.6250-18 UNEF	.139	.169	1.635	1.604

FILE: DBC34H-X-XPX-ENV-SNAP

SIGNATURE & DATE	
DR	F. BAUTISTA 7-8-99
CHK	L. STOLLE 8-31-99
PE	J. AGUILERA 8-31-99
APPD	J. AGUILERA 8-31-99
SCALE: 4.000	

RECEPTACLE, CONNECTOR  
THREADED COUPLING  
SOLDER MOUNT  
MIL-C-83723 SERIES III  
HERMETIC  
ENVELOPE

CP	MATL CODE 74
<b>DEUTSCH</b> HERMETIC PRODUCTS OPERATION 250 Eddie Jones Way Oceanside, CA 92054	
C	DBC34H-X-XP*
DWG SIZE	CAGE CODE 11139 SHEET 1 OF 1