

DBAS 78 G XX - XX X X 8 XX ****

CONNECTOR TYPE

SHELL TYPE
78 - Plug with heavy duty lanyard and nut

Grounding continuity index (only for plugs)
Without Index: no RFI fingers on shell
With G Index: with RFI fingers on shell
With GR Index: with RFI fingers on shell + increased minimum release force

SHELL SIZE
3-7-12-19-27-37-61

ARRANGEMENTS

CONTACT TYPE
P Pin Contact
S Socket Contact

INSERT CLOCKING POSITION
N - Normal
W-X-Y-B-C Others

INDEX FOR CONTACTS

KEY ORIENTATION
DA, DB, DC, DD, DE, DF, DG

SPECIAL MODIFICATIONS

- 1A Without nut
- 031 Black anodised
- 059 Straight cable clamp
- 081 Elbowed cable clamp
- 090 Without contact
- 395 Kerosene-resistant insert
- A083 Potting cup
- A108 Reverse marking
- A127 Panel nut with lockwire holes
- A140 Adaptor
- A264 PCB contacts
- A838 Olive drab cadmium
- 6116 Black anodised + without nut
- 6117 Olive drab cadmium + without nut
- 5005 Black anodised + straight cable clamp
- A1123 High temperature + 260 °C
- A5532 Kerosene-resistant insert + without nut
- **** For other modifications, consult TE.

For DBAS 78 - ESA/SCC QPL
European Space Agency (ESA)/Space Components Coordination Group (SCC)
Qualified Parts List (QPL)

DBAS 78 G XX - XX X X XX 090 **** SCC

CONNECTOR TYPE

SHELL TYPE
78 - Plug with heavy duty lanyard and nut

Grounding continuity index (only for plugs)
Without Index: no RFI fingers on shell
With G Index: with RFI fingers on shell

SHELL SIZE
3-7-12-19-27-37-61

ARRANGEMENTS

CONTACT TYPE
P Pin Contact
S Socket Contact

INSERT CLOCKING POSITION
N - Normal
W-X-Y-B-C Others

KEY ORIENTATION
DA, DB, DC, DD, DE, DF, DG

MANDATORY MODE CODE

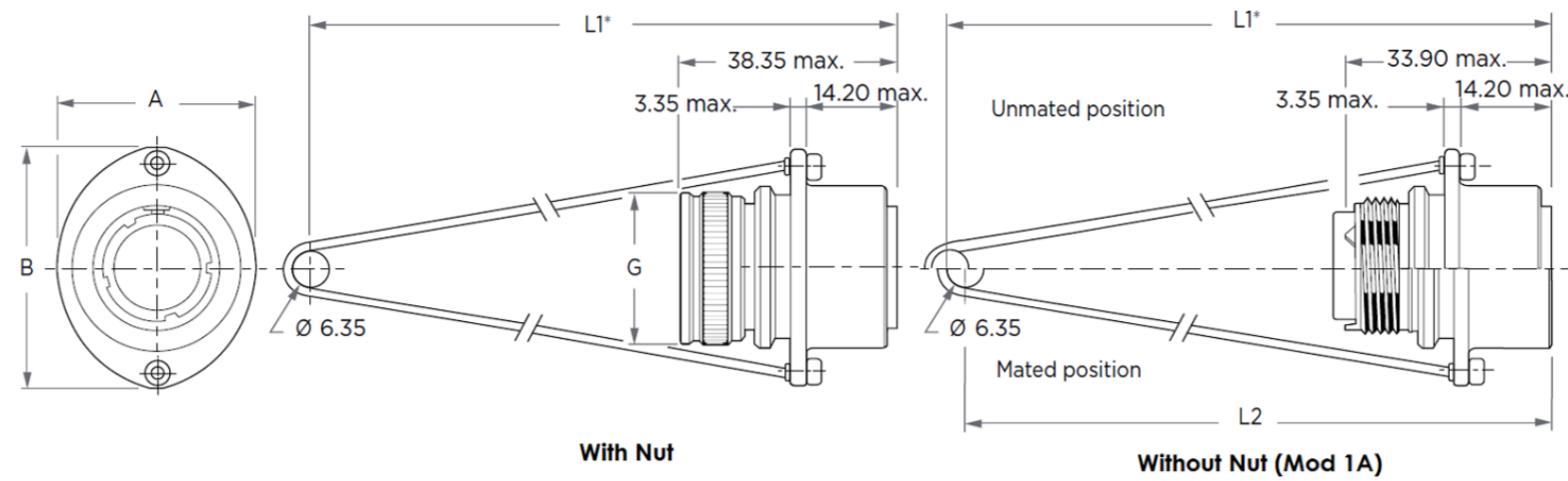
SPECIAL MODIFICATIONS

- 090 Without contact
- 090-1A Without contact + Without nut
- 090 A614 Without contact + lanyard length 134.3 ± 2.1 mm
- 090 B614 Without contact + lanyard length 164.3 ± 2.1 mm
- 090 C614 Without contact + lanyard length 194.3 ± 2.1 mm
- **** For other modifications, consult TE.

ESA SPACE GRADE

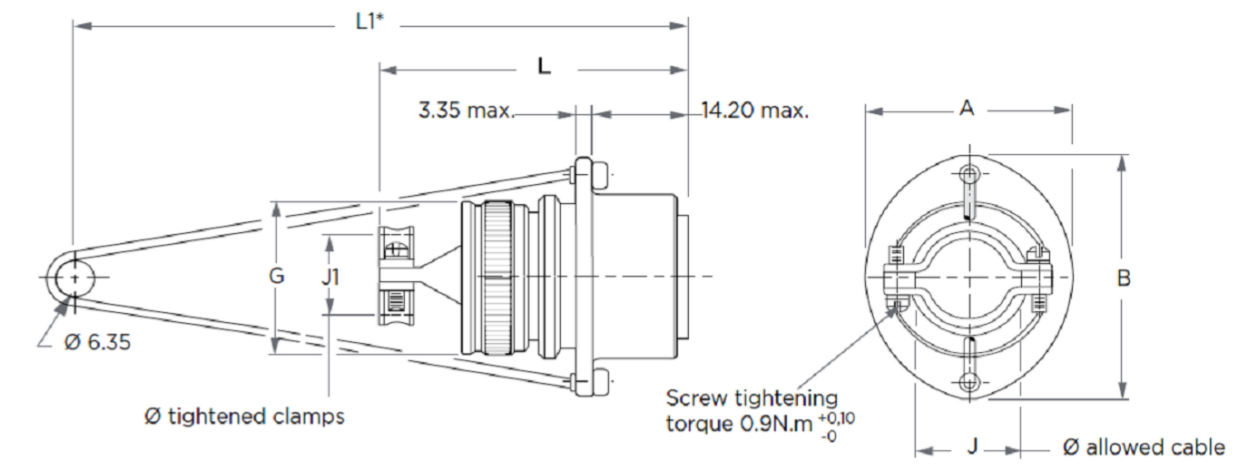
NOTE : ESA grade sealed connectors are delivered without Contact and can be delivered only with Nut.
For other accessory, please indicate mod code "090-1A" instead of "090" on connector part number and order requested accessory separately.

DBAS 78 - PLUG WITH HEAVY DUTY LANYARD



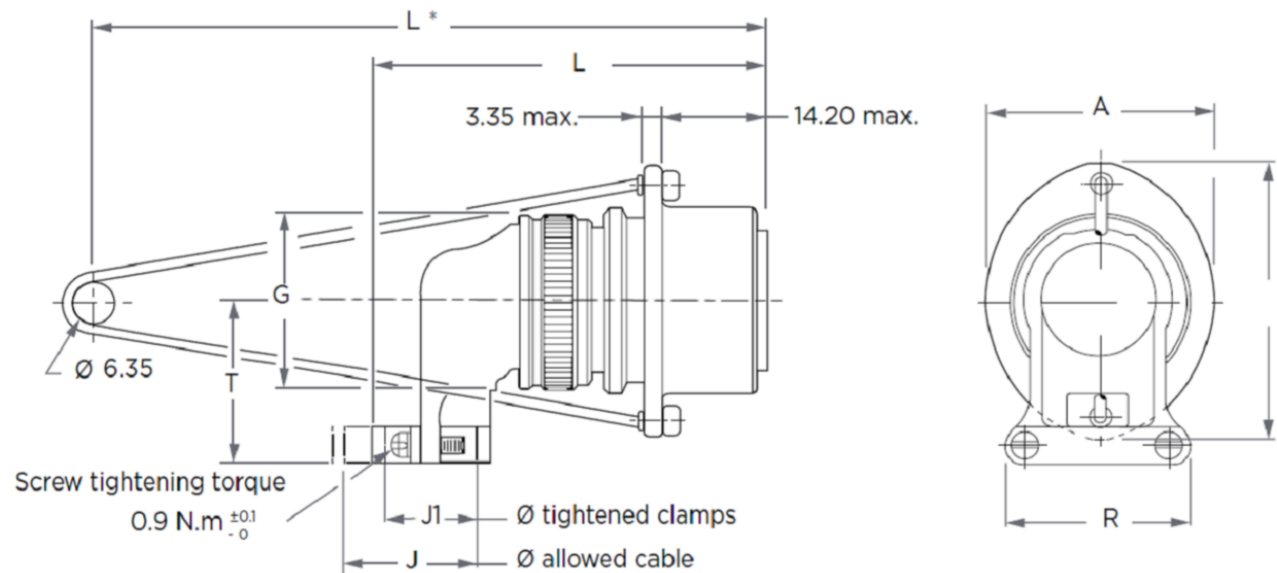
Part Number	A max	B max	G max	L2 +2.1	L1 +2.1	Part Number
DBAS 78-3-** P/S *	23.30	31.85	17.00	117.65	120.35	DBAS 78-3-** P/S * 1A
DBAS 78-7-** P/S *	26.80	35.65	21.80	117.40	120.10	DBAS 78-7-** P/S * 1A
DBAS 78-12-** P/S *	29.60	38.70	25.00	117.25	119.95	DBAS 78-12-** P/S * 1A
DBAS 78-19-** P/S *	33.55	42.50	28.25	117.00	119.70	DBAS 78-19-** P/S * 1A
DBAS 78-27-** P/S *	37.20	46.20	30.95	116.70	119.40	DBAS 78-27-** P/S * 1A
DBAS 78-37-** P/S *	40.70	48.45	34.15	116.50	119.20	DBAS 78-37-** P/S * 1A
DBAS 78-61-** P/S *	47.85	56.60	42.00	115.64	118.35	DBAS 78-61-** P/S * 1A

DBAS 78 - WITH STRAIGHT CABLE CLAMP (MOD 059) AND HEAVY DUTY LANYARD



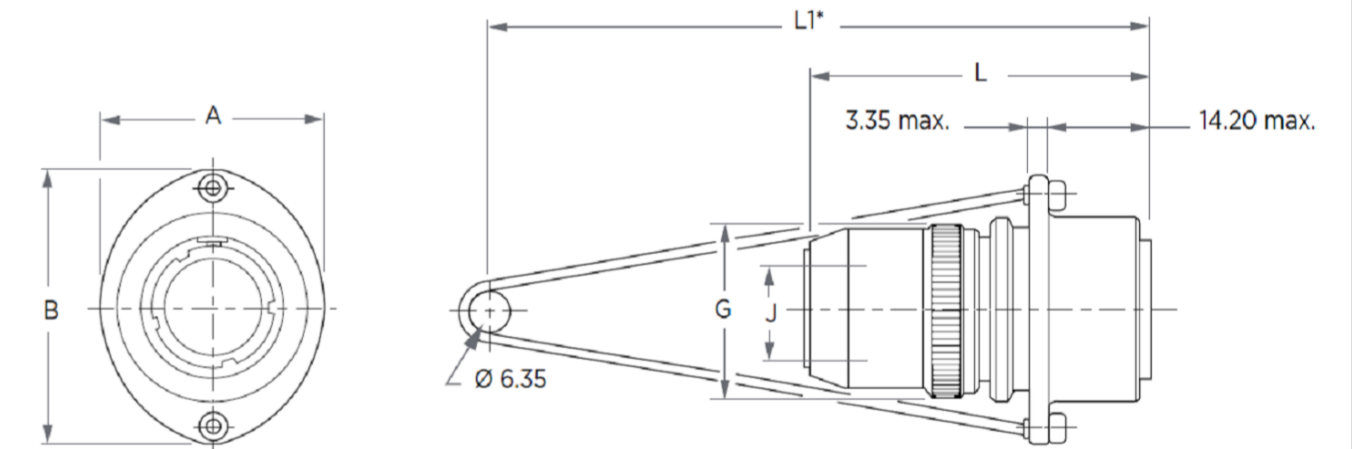
Part Number	A max	B max	G max	J min	J1 max	L max	L1 +2.1
DBAS 78-3-** P/S * 059	23.30	31.85	17.00	6.60	5.15	47.35	120.35
DBAS 78-7-** P/S * 059	26.80	35.65	21.80	12.75	10.55	47.35	120.10
DBAS 78-12-** P/S * 059	29.60	38.70	25.00	14.60	12.05	53.35	119.95
DBAS 78-19-** P/S * 059	33.55	42.50	28.25	17.80	15.85	53.35	119.70
DBAS 78-27-** P/S * 059	37.20	46.20	30.95	19.80	17.90	53.35	119.40
DBAS 74-37-** P/S * 059	40.70	48.45	34.15	23.00	21.05	53.35	119.20
DBAS 78-61-** P/S * 059	47.85	56.60	42.00	30.10	27.40	53.35	118.35

DBAS 78 - WITH ELBOWED CABLE CLAMP (MOD 081)



Part Number	A max	B max	G max	J min	J1 max	L max	L1 +2.1	R max	T max
DBAS 78-3-** P/S * 081	23.30	31.85	17.00	6.60	5.15	51.50	120.35	17.40	21.40
DBAS 78-7-** P/S * 081	26.80	35.65	21.80	12.75	10.55	56.60	120.10	23.60	23.80
DBAS 78-12-** P/S * 081	29.60	38.70	25.00	14.60	12.05	58.85	119.95	25.50	25.30
DBAS 78-19-** P/S * 081	33.55	42.50	28.25	17.80	15.85	62.25	119.70	29.70	26.80
DBAS 78-27-** P/S * 081	37.20	46.20	30.95	19.80	17.90	65.70	119.40	32.60	28.30
DBAS 78-37-** P/S * 081	40.70	48.45	34.15	23.00	21.05	69.05	119.20	36.00	29.90
DBAS 78-61-** P/S * 081	47.85	56.60	42.00	30.10	27.40	75.65	118.35	42.80	33.50

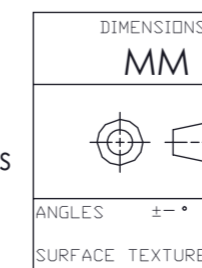
DBAS 78 - WITH POTTING CUP (MOD A083)



Part Number	A max	B max	G max	J max	L max	L1 +2.1
DBAS 78-3-** P/S * A 083	23.30	31.85	17.00	4.60	46.20	120.35
DBAS 78-7-** P/S * A 083	26.80	35.65	21.80	10.00	46.20	120.10
DBAS 78-12-** P/S * A 083	29.60	38.70	25.00	11.50	51.70	119.95
DBAS 78-19-** P/S * A 083	33.55	42.50	28.25	15.30	51.70	119.70
DBAS 78-27-** P/S * A 083	37.20	46.20	30.95	17.30	51.70	119.40
DBAS 78-37-** P/S * A 083	40.70	48.45	34.15	20.50	51.70	119.20
DBAS 78-61-** P/S * A 083	47.85	56.60	42.00	26.80	51.70	118.35

CHARACTERISTICS

1. Shell Material : Aluminium alloy, Nickel plated.
2. RFI ring Material : Beryllium Copper, Nickel plated.
3. Insert Material : Fluorinated silicone and thermosetting resin
4. Contact : Crimp Type, Gold over Nickel plated.
5. Service Temperature
For DBAS 78 : - 55° C to + 200° C
For DBAS 78 - ESA/SCC QPL : - 65° C to + 200° C
6. Withstanding Voltage :
For DBAS 78 : At sea level - Service 1 : 1500 V eff. 50 Hz
Service 2 : 2300 V eff. 50 Hz
In altitude - At 33000 m - Service 1 : 350 V
Service 2 : 500 V
For DBAS 78 - ESA/SCC QPL : At sea level - Contacts Size 20, 16, 12, 08 : 375 Vrms
& Contacts Size 22 : 250 Vrms
In altitude - At 33000 m - 200 Vrms



DIMENSIONS: MM

TOLERANCES UNLESS OTHERWISE SPECIFIED:

0 PLC	±
1 PLC	±0.05
2 PLC	±0.05
3 PLC	±0.02
4 PLC	±

DWN	LAKSHMI SUDHA R	MATERIAL	-	HEAT TREAT	-
CHK	RAKESH S				
APVD	VINCENT P				
NAME	DBAS 78_Plug with Heavy Duty Lanyard				
SCALE	1:1	SIZE	A2	DRAWING NO	DBAS_78-XX_++
SHEET	1 OF 1	REV	A1		