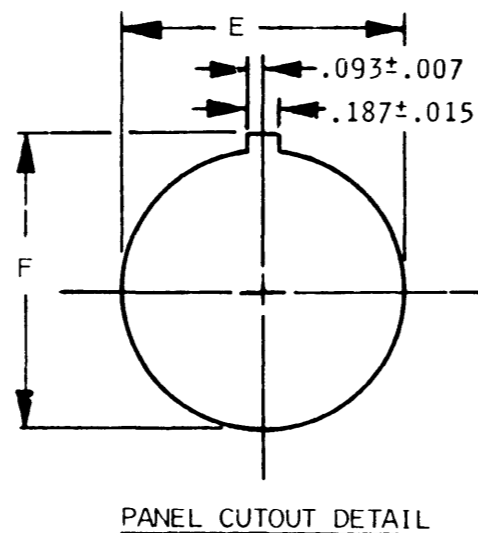
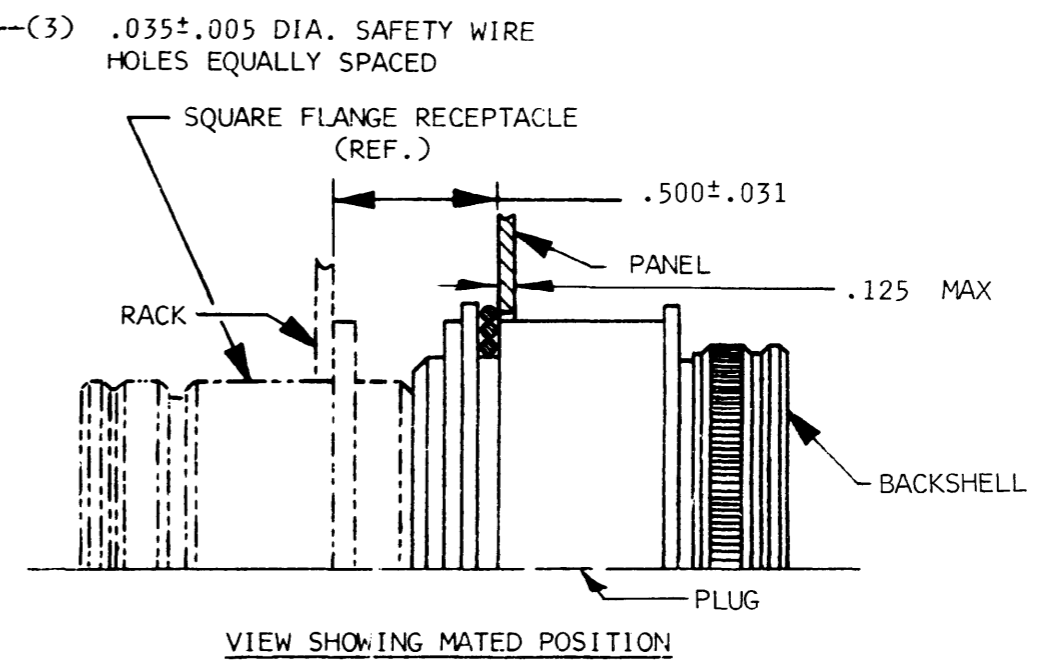
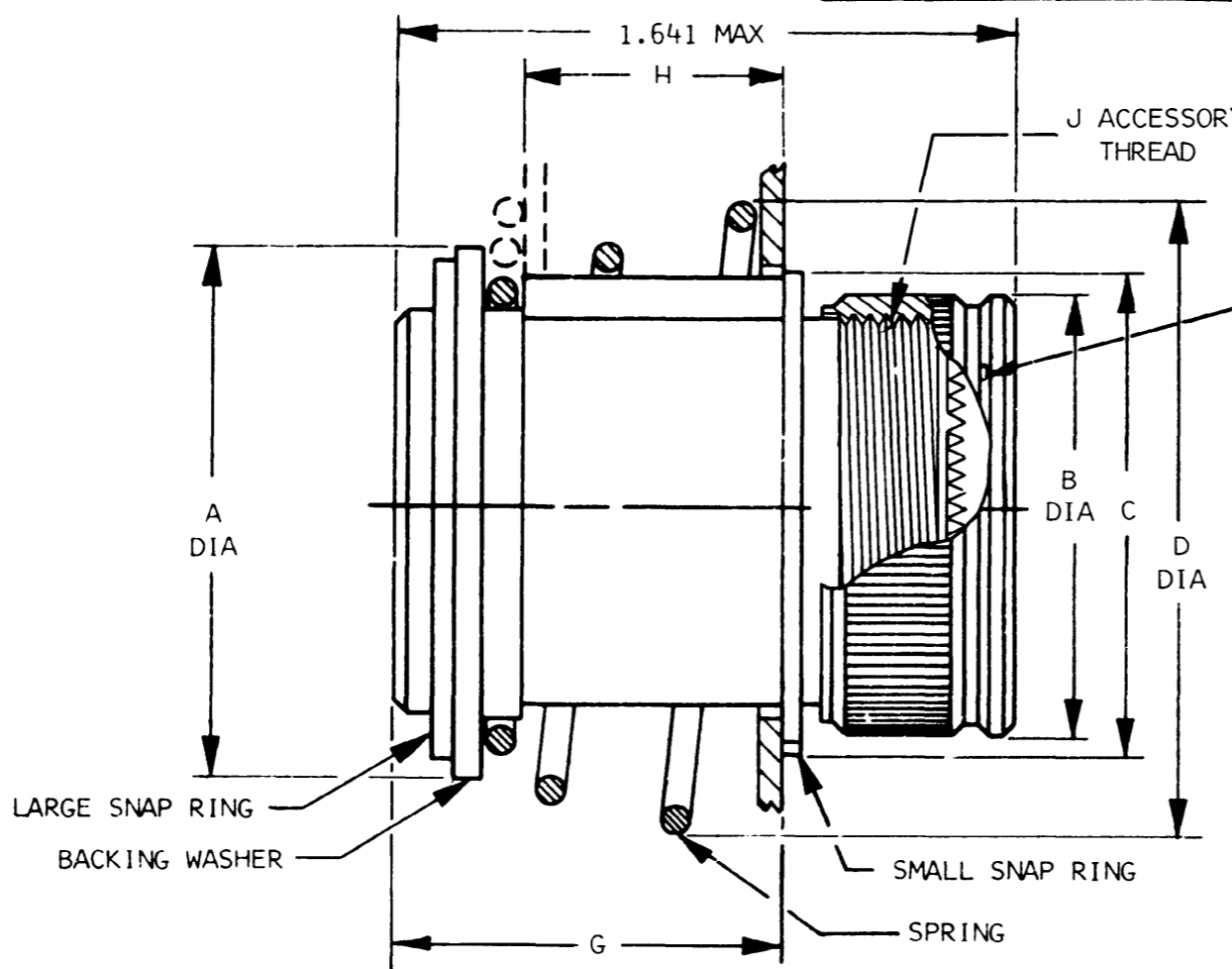
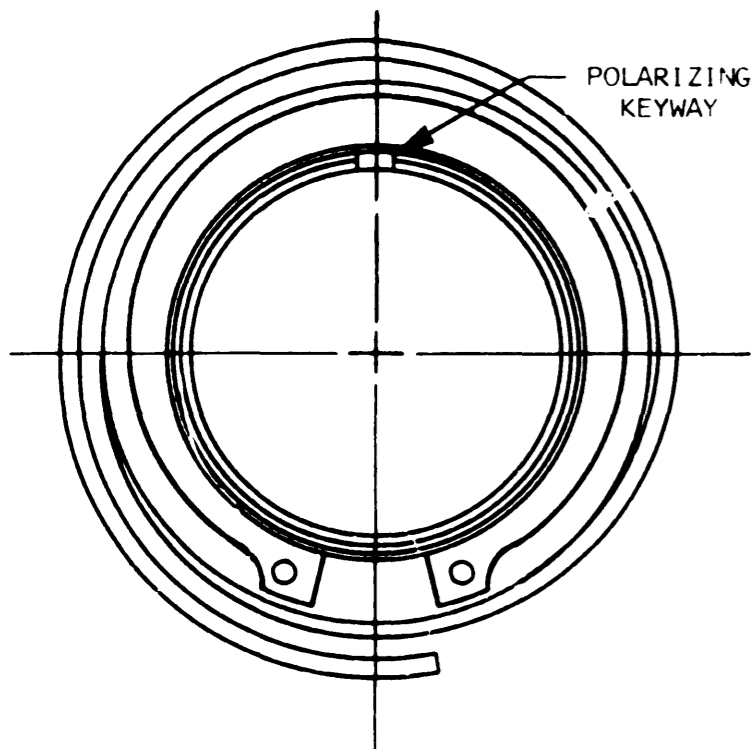


DBAS79-**-**P/S**		REVISIONS		
SYM	DESCRIPTION	DATE	APPROVED	
N/C	NEW RELEASE PER E.O. 80756	9-9-75	<i>A</i>	



PART NUMBERS	A ±.015	B MAX	C MAX	D MAX	E ±.015	F ±.015	G ±.015	H±.031	J THREAD
DBAS79-3-**-**P/S**	.875	.682	.760	1.218	.671	.843	.823	.500	9/16-24 UNEF
DBAS79-7-**-**P/S**	1.156	.858	.961	1.348	.812	.984	.815	.500	3/4-20 UNEF
DBAS79-12-**-**P/S**	1.250	.984	1.095	1.562	.953	1.109	.815	.500	7/8-20 UNEF
DBAS79-19-**-**P/S**	1.375	1.112	1.260	1.703	1.062	1.234	.815	.500	1-20 UNEF
DBAS79-27-**-**P/S**	1.515	1.218	1.406	1.853	1.203	1.375	.803	.500	1 1/16-18 UNEF
DBAS79-37-**-**P/S**	1.796	1.345	1.597	2.104	1.375	1.531	.803	.500	1 3/16-18 UNEF
DBAS79-61-**-**P/S**	2.140	1.653	1.984	2.833	1.687	1.859	.791	.440	1 1/2-18 UNEF

- NOTES:
- FOR AVAILABLE CONTACT ARRANGEMENTS AND ALTERNATE INSERT POSITIONS, CONSULT FACTORY.
 - CONSULT FACTORY FOR ELECTRICAL AND MATERIAL SPECIFICATIONS.
 - FOR ACCESSORIES OTHER THAN STANDARD BACKSHELL. CONSULT FACTORY.
 - CONNECTOR FINISH: NICKEL PLATE
 - PANEL CUTOUT TO BE BURR FREE.

SIGNATURE & DATE	
DR	<i>B. Paine</i> 10-24-75
CHK	<i>N. Andrews</i> 11-21-75
PE	<i>N. Andrews</i>
APPD	
SCALE	NONE
WT	

PLUG
RACK & PANEL
DBAS CONNECTOR
(ENVELOPE)

CP	MATL. CODE
The Deutsch Company ELECTRONIC COMPONENTS DIVISION Municipal Airport Banning, California	
B	DBAS79-**-**P/S**
DWG SIZE	CODE 11139 SHEET 1 OF 1