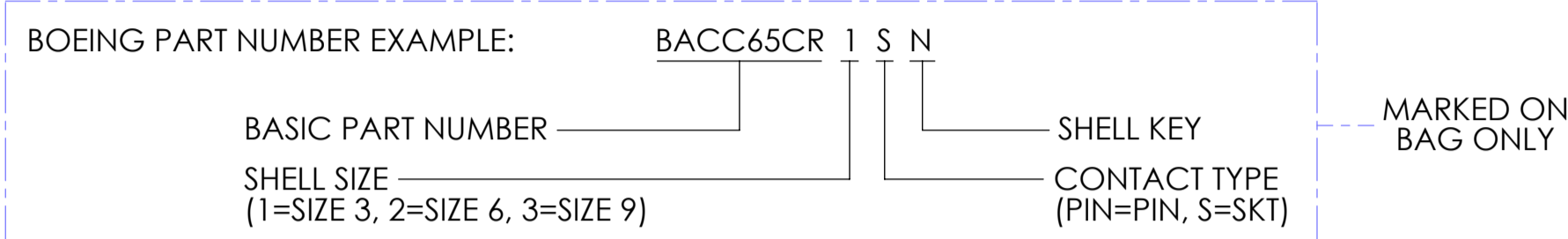
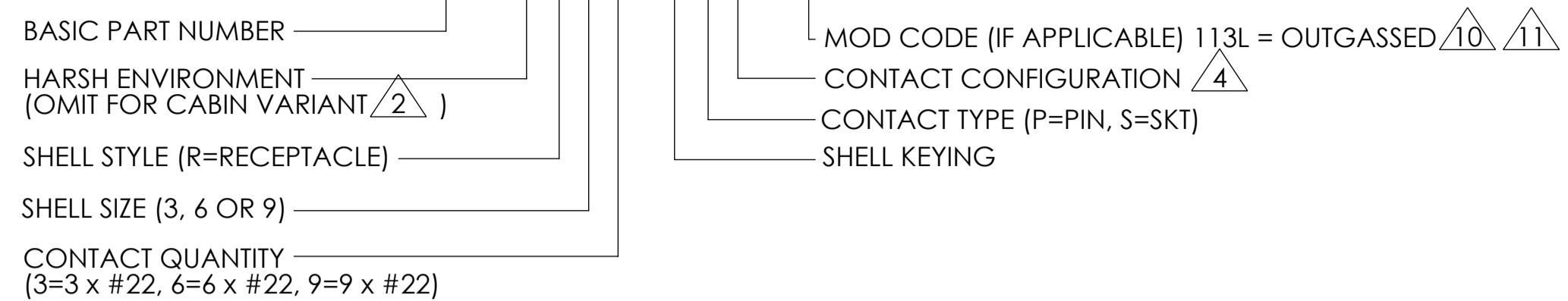


NOTES:

1 MARKED WITH TE PART NUMBER, CAGE CODE AND DATE CODE.

PART NUMBER EXAMPLE: D369 - H R 3 3 - N S 1 - 1 1 3 L



BOEING PART STANDARD BACC65CR REVISION 'B' REFERS. N.B. BACC65CR\*\*\* PART NUMBERS ARE SUPPLIED WITHOUT CONTACTS.

2 PERFORMANCE:	'CABIN' CONNECTOR (INCLUDING OUTGASSED)	'HARSH ENVIRONMENT' CONNECTOR
	D369-R*** (***)	D369-HR**-* OR BACC65CR***
PERFORMANCE SPECIFICATION	108-160151	PENDING
TEMPERATURE RANGE	-55°C TO +175°C	
DIELECTRIC WITHSTAND VOLTAGE (AT SEA LEVEL)	1300VRMS <2mA LEAKAGE	
DURABILITY	500 MATING CYCLES MIN.	
INSULATION RESISTANCE	≥5000 MΩ INITIAL	
IP RATING	IP67	
SEALING	RTCA DO160 - CATEGORY A4 (15,000ft)	EN2591-314: 12.1kPa (1.75psi) @ 15km (50,000ft)
HUMIDITY	RTCA DO160 - CATEGORY A	EN2591-321 / EIA-364-31 METHOD IV

3. INSERTION / EXTRACTION TOOL (M81969/14-01 OR EQUIVALENT) SUPPLIED SEPARATELY.

4 CONTACT CONFIGURATION:

CONFIG.	CONTACT DESCRIPTION	CONTACT P/N (OR EQUIVALENT)		CRIMP POSITIONER		CRIMP TOOL	WIRE ACCOMODATION	CURRENT RATING
		PIN	SOCKET	PIN	SOCKET			
0		NO CONTACTS SUPPLIED						
1	CRIMP, COPPER WIRE	38941-22L	38946-22L	M22520/2-09	M22520/2-06	M22520/2-01	22-28 AWG	5A (22 AWG)
2	CRIMP, ALUMINIUM WIRE	200-1042-22	200-1142-22	KAL2		ALNP 22-A	22 AWG	5A
3	CRIMP ENLARGED COPPER WIRE	182-0860-22	182-0862-22	M22520/2-09	M22520/2-06	M22520/2-01	20-24 AWG	5A (20 AWG)

5. MATERIALS:

COMPONENT	MATERIAL (FINISH: CLEAN IN ALL CASES)
SEALS	SILICONE / FLUOROSILICONE BLEND RUBBER
BODY / INSERT COMPONENTS	THERMOPLASTIC

6. IF FILLER PLUGS ARE REQUIRED, USE THE FOLLOWING:  
TE PART NUMBER - 600300-22.  
MIL-SPEC PART NUMBER - M527488-22-2.

7. MAXIMUM WEIGHTS (WITHOUT CONTACTS):  
3 WAY - 1.0g (PIN INSERT), 1.0g (SOCKET INSERT).  
6 WAY - 1.4g (PIN INSERT), 1.5g (SOCKET INSERT).  
9 WAY - 2.0g (PIN INSERT), 1.9g (SOCKET INSERT).

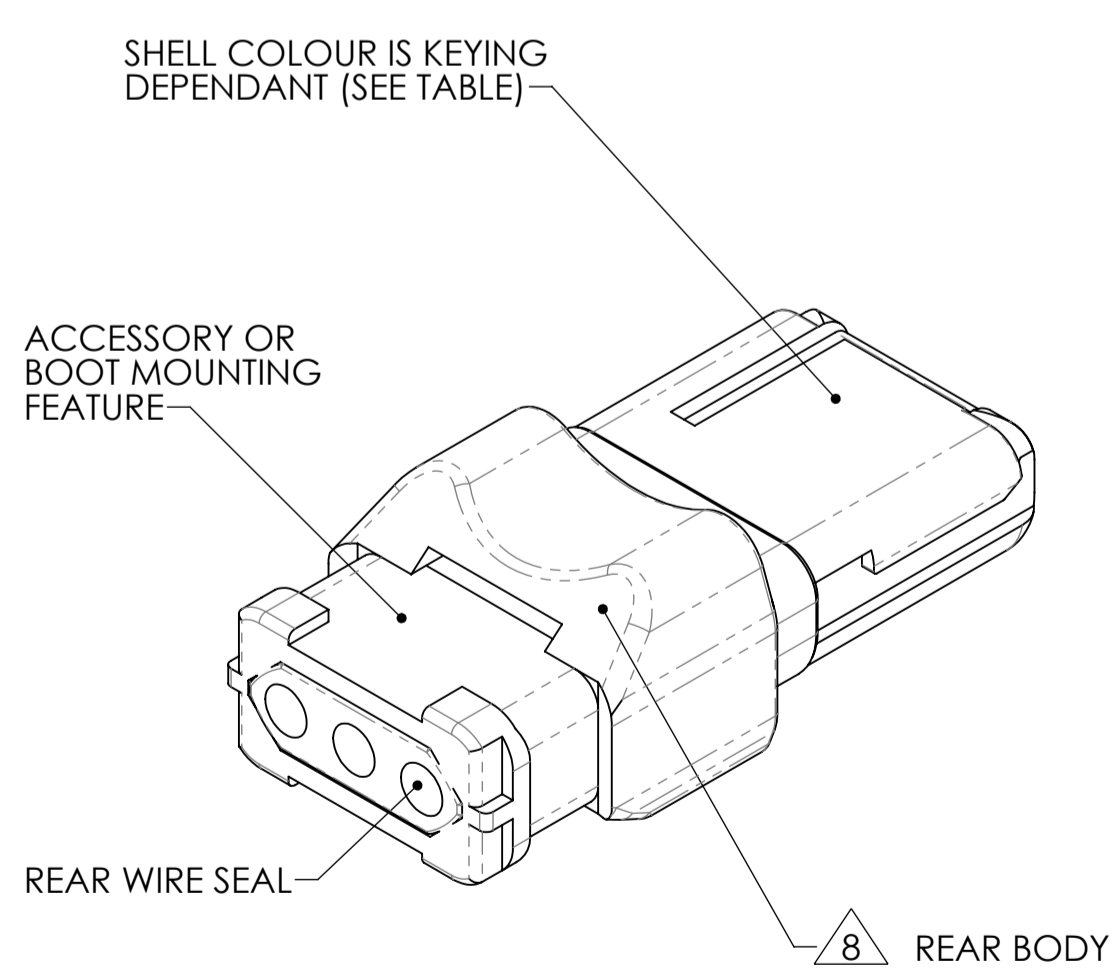
8 FOR ALL 'HARSH ENVIRONMENT' VARIANTS, THE REAR BODY IS TO BE COLOURED DARK BLUE.

9 DIMENSIONS ARE TRUE POSITIONS OF CAVITIES AT FRONT OF PIN INSERT (SOCKET OPPOSITE). CENTRE OF EACH CAVITY  $\pm 0.20$  A B.

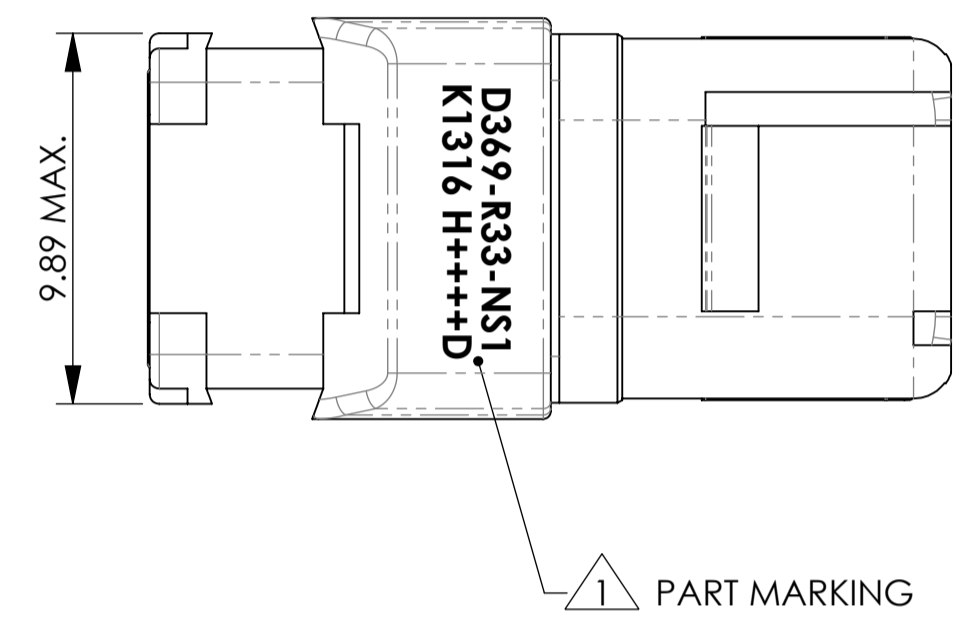
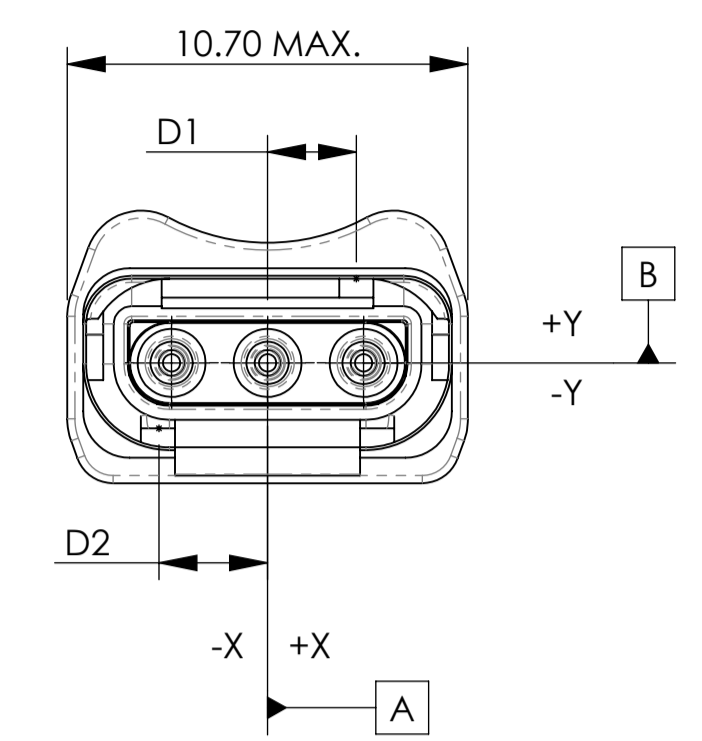
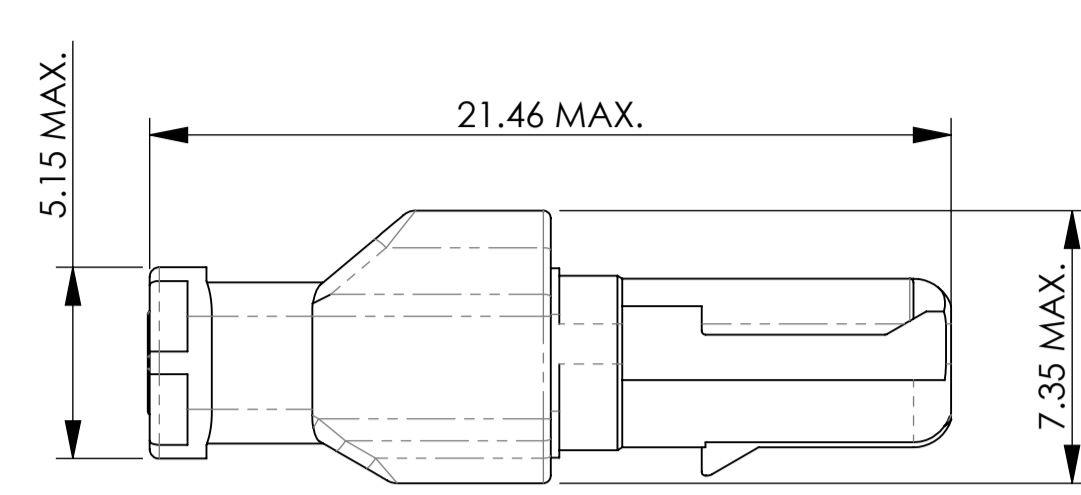
SHELL KEYING (ALL SIZES)			
ORIENTATION	COLOUR	POSITIONS (±0.03)	
		D1	D2
N	BLACK	-2.35	2.90
A	DARK RED	-2.35	-2.90
B	DARK BLUE	-1.175	-2.90
C	DARK GREEN	0	-2.90
D	YELLOW	1.175	-2.90

10 FOR OUTGASSED (113L) VARIANTS, ASSEMBLIES TO BE OUTGASSED PER GUIDANCE IN ASTM 595: VACUUM BAKED FOR 24 HOURS @ <1.33x10-4Pa, 125°C

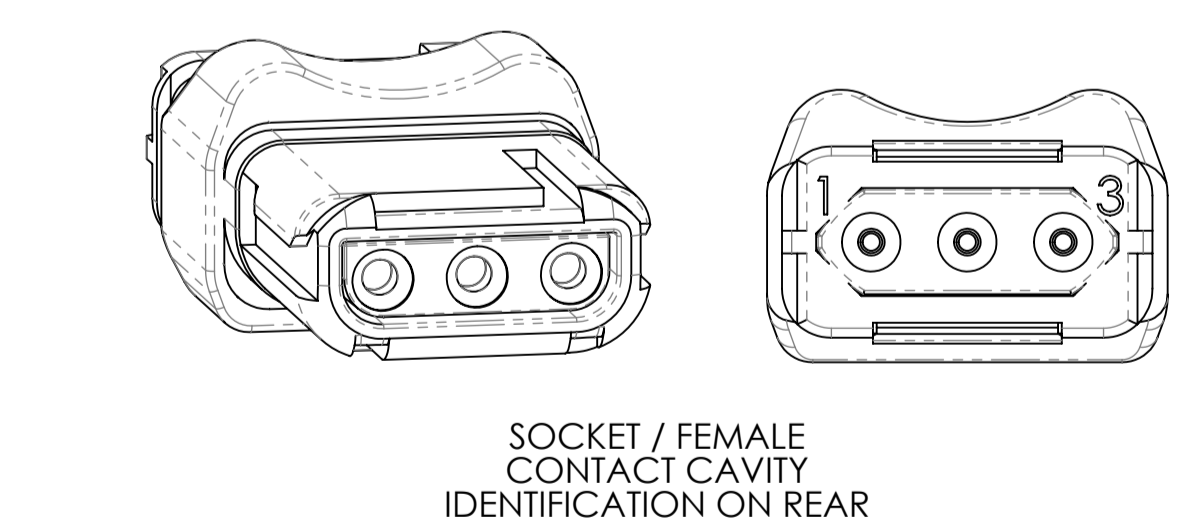
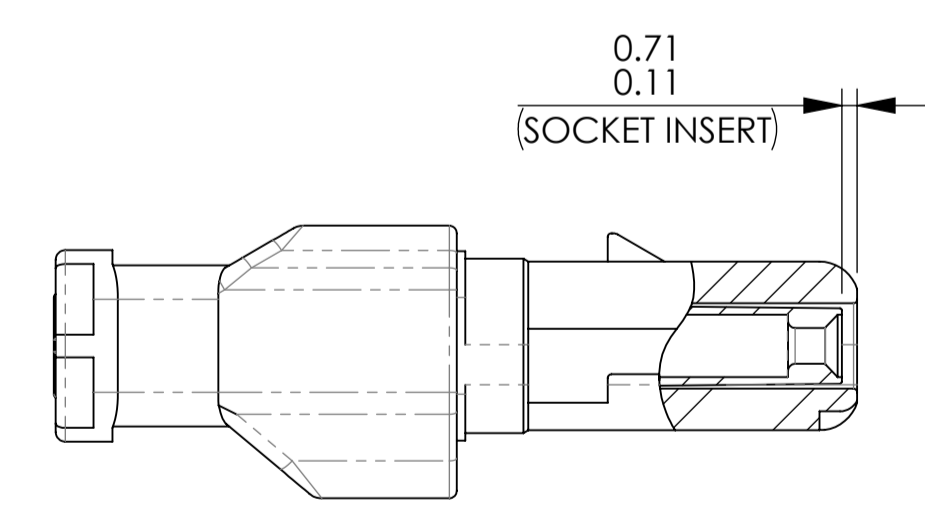
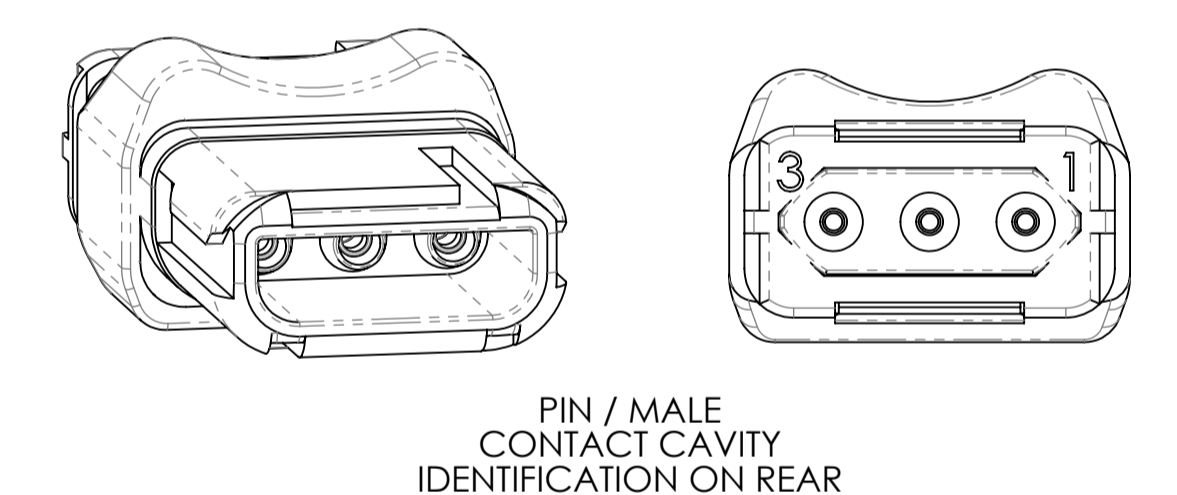
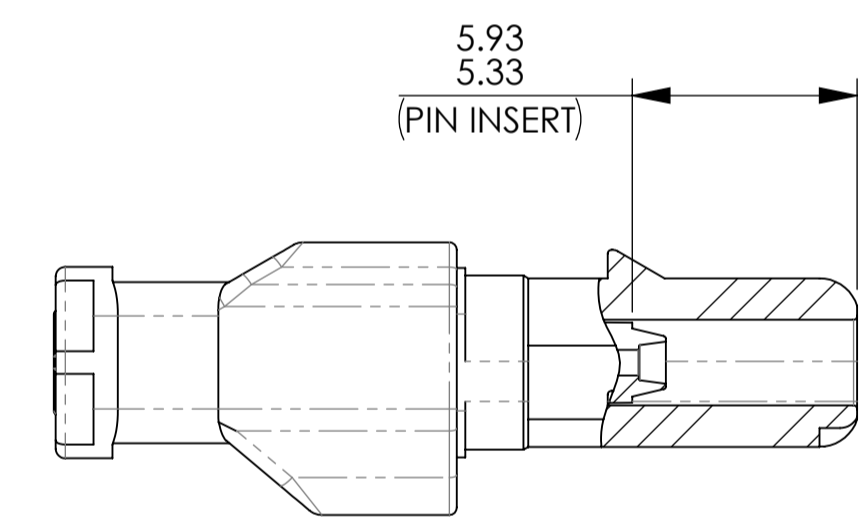
11 OUTGASSING (113L MOD) IS ONLY AVAILABLE/ ONLY APPLIES TO CABIN ENVIRONMENT PART NUMBERS.



3 WAY CONNECTOR



COORDINATE POSITIONS OF CONTACTS (3 WAY ONLY)		
CONTACT POSITION (ID)	CONTACT LOCATION	
	X AXIS (mm)	Y AXIS (mm)
1	-2.54	0
2	0	0
3	2.54	0



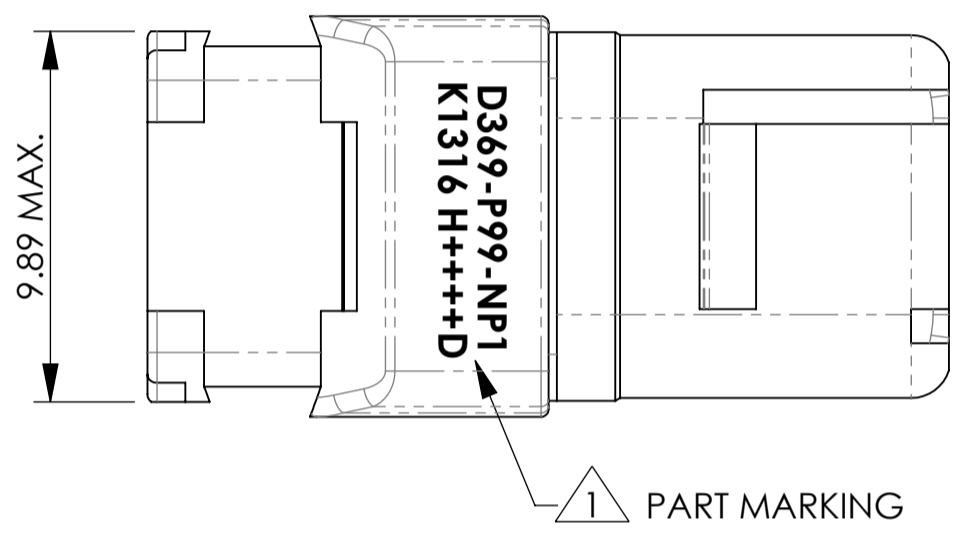
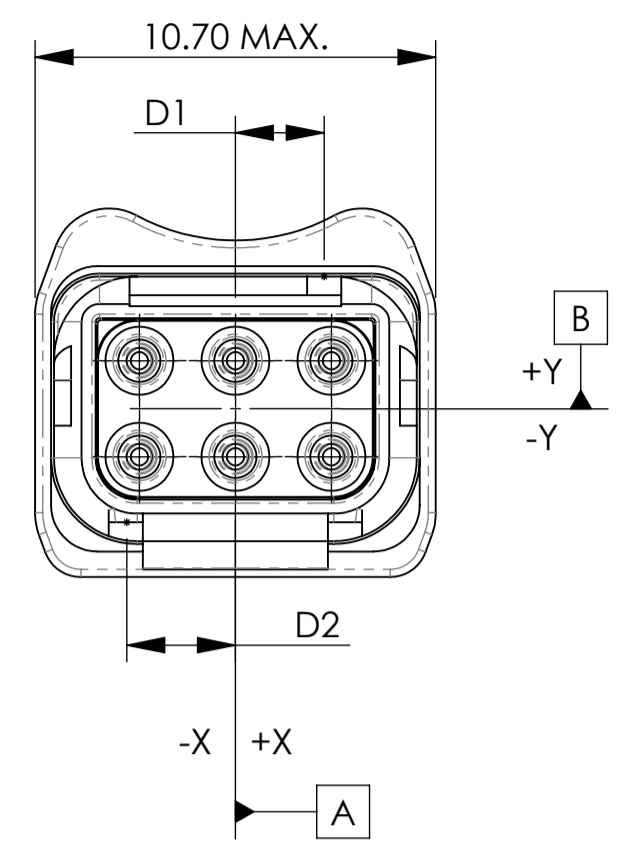
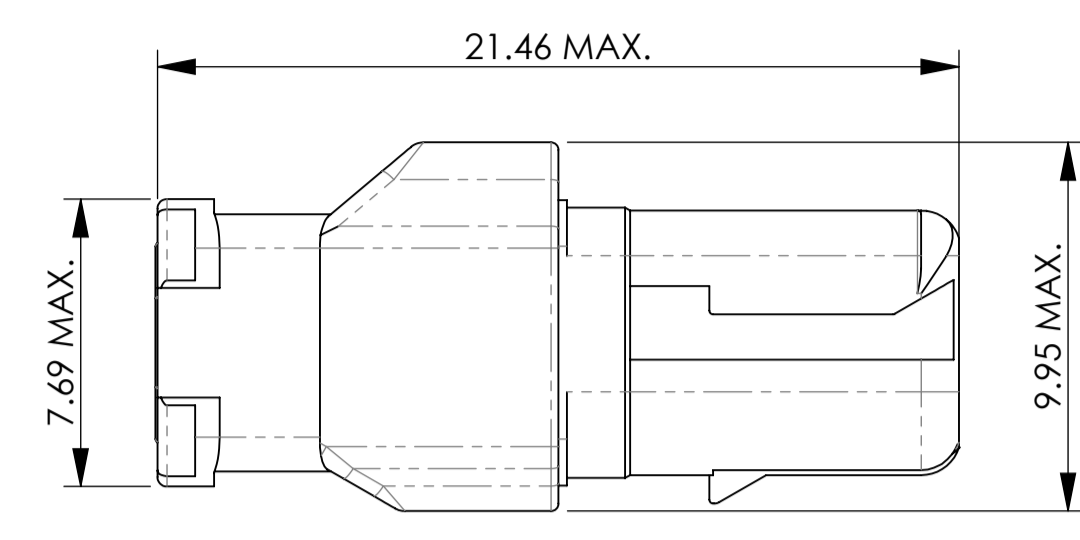
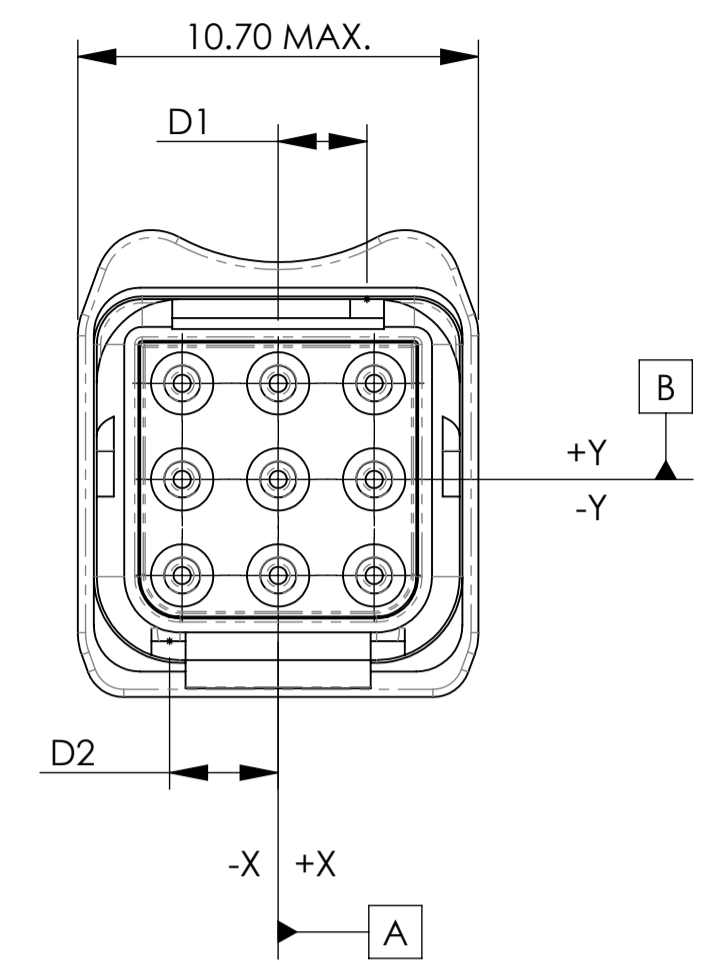
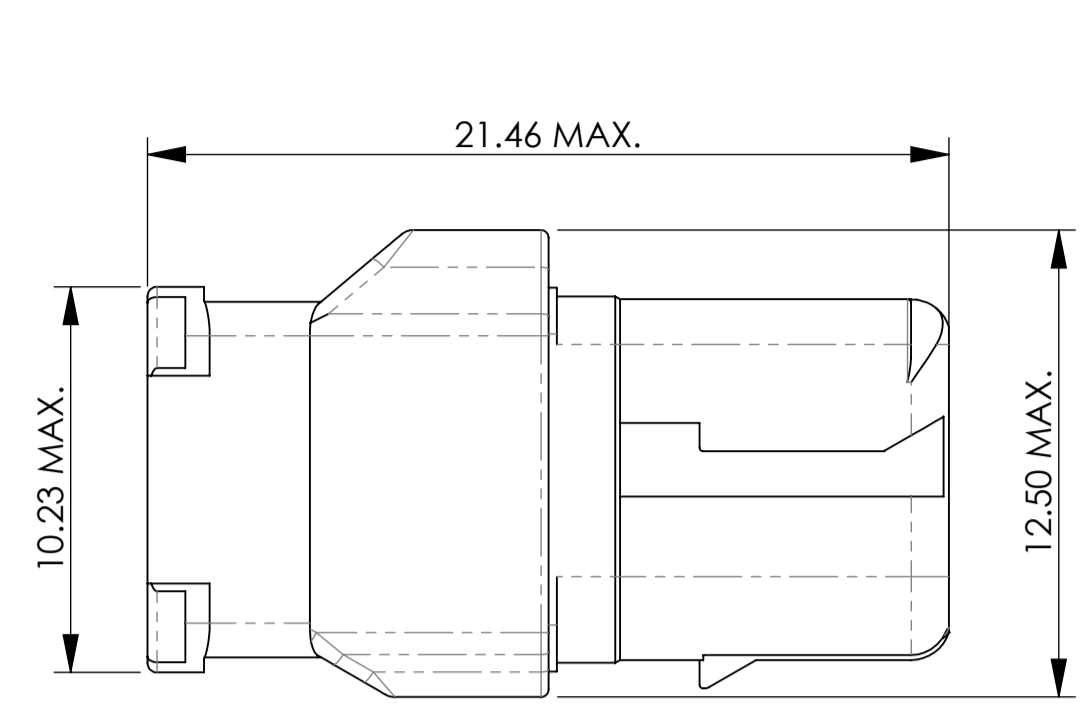
IF IN DOUBT, ASK

<b>BS8888</b> THIRD ANGLE PROJECTION <small>UNLESS OTHERWISE STATED: DIMENSIONS: mm [INCHES]</small>	MATERIAL: <b>SEE NOTES</b>	FINISH:	 DEUTSCH <small>TE CONNECTIVITY UK LTD., ST. LEONARDS-ON-SEA, TN38 9RF, UK</small>
	TITLE: <b>369 RECEPTACLE CONNECTOR, ENVELOPE DRAWING</b>		
IF IN DOUBT, ASK	SIZE: <b>A1</b>	SCALE: <b>5:1</b>	DRAWING NUMBER: <b>612826-ENV</b>
			SHEET: <b>1 OF 2</b>
			ISSUE: <b>AA</b>



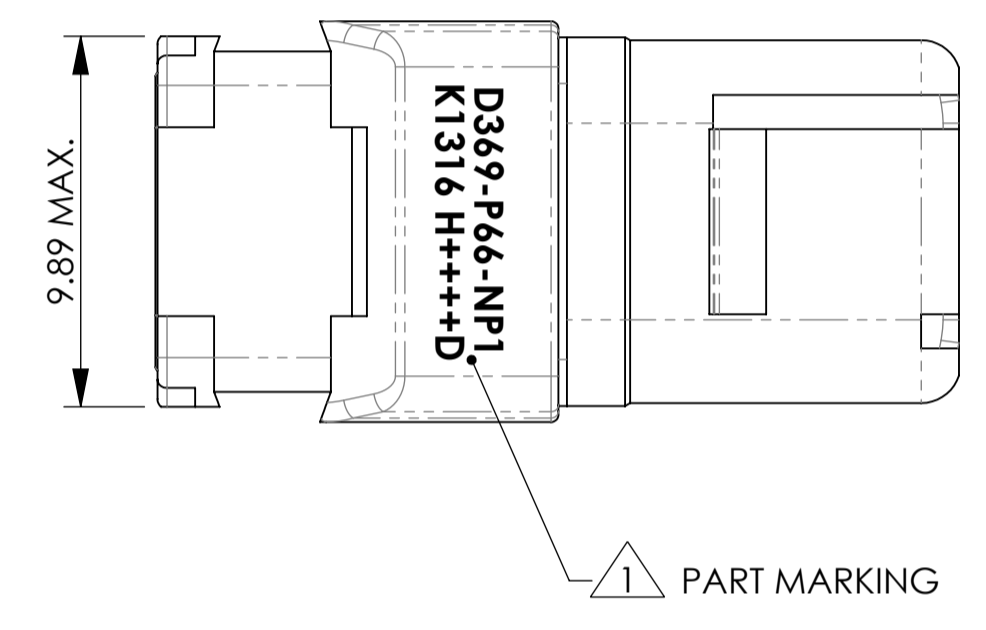
**9 WAY CONNECTOR**

**6 WAY CONNECTOR**



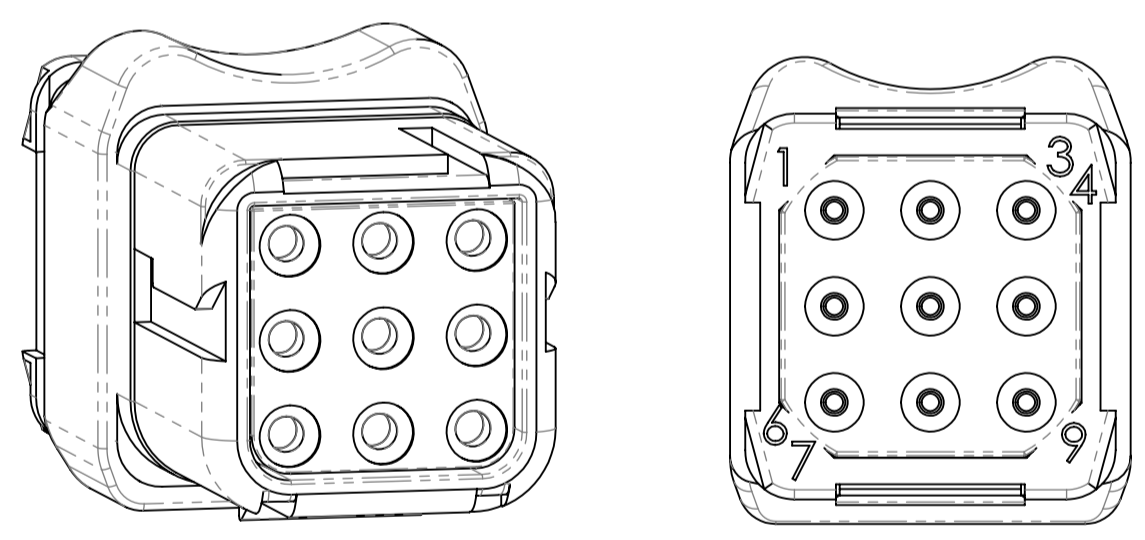
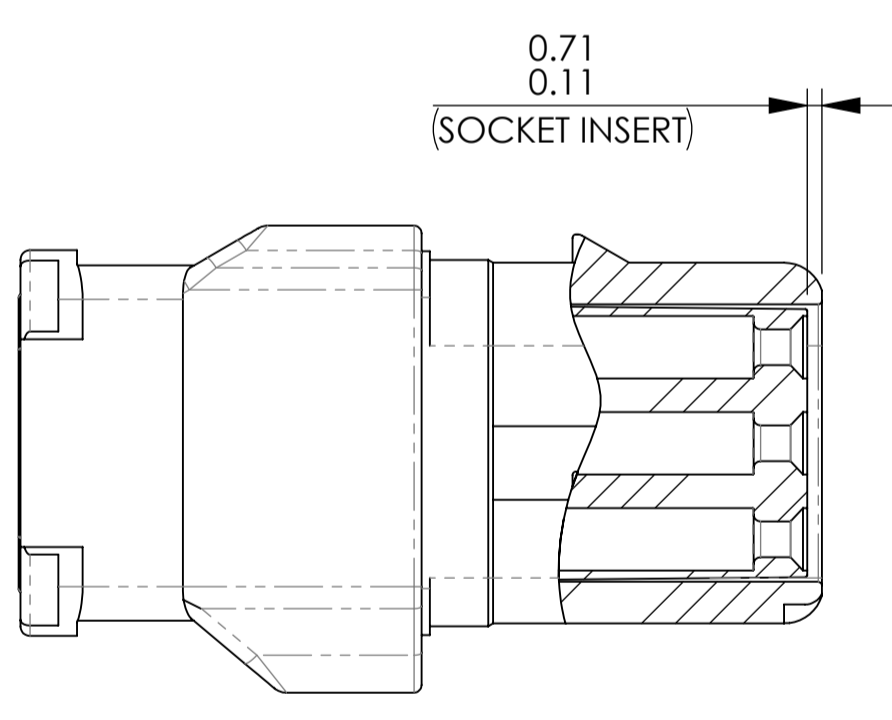
COORDINATE POSITIONS OF CONTACTS (9 WAY ONLY)

CONTACT POSITION (ID)	CONTACT LOCATION	
	X AXIS (mm)	Y AXIS (mm)
1	-2.54	2.54
2	0	2.54
3	2.54	2.54
4	2.54	0
5	0	0
6	-2.54	0
7	-2.54	-2.54
8	0	-2.54
9	2.54	-2.54

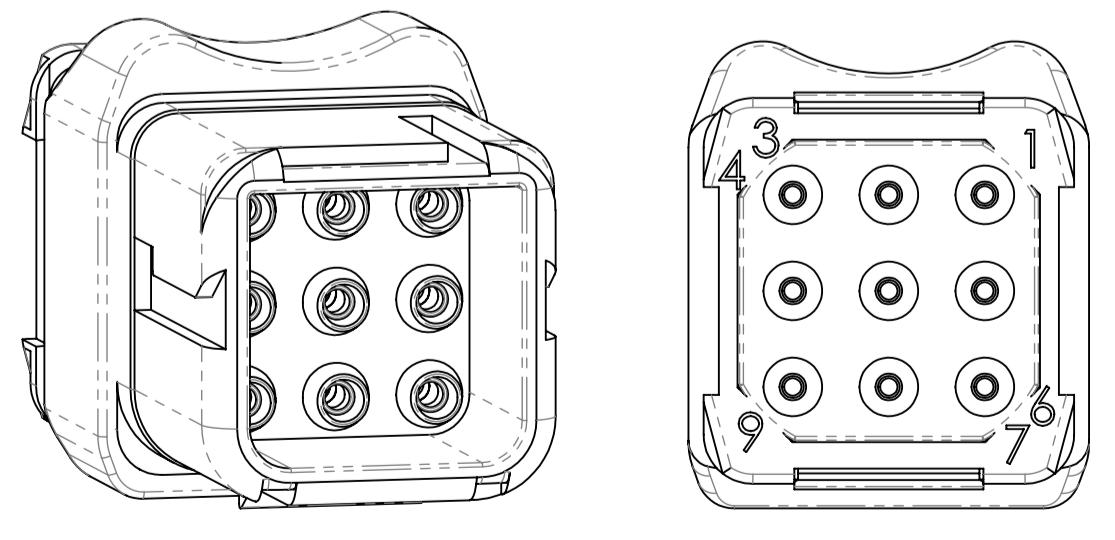
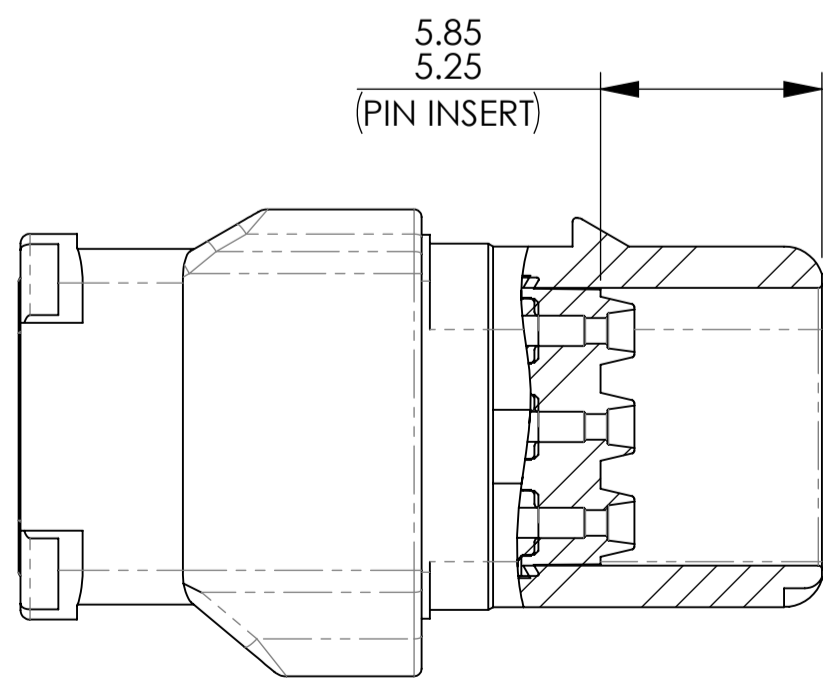


COORDINATE POSITIONS OF CONTACTS (6 WAY ONLY)

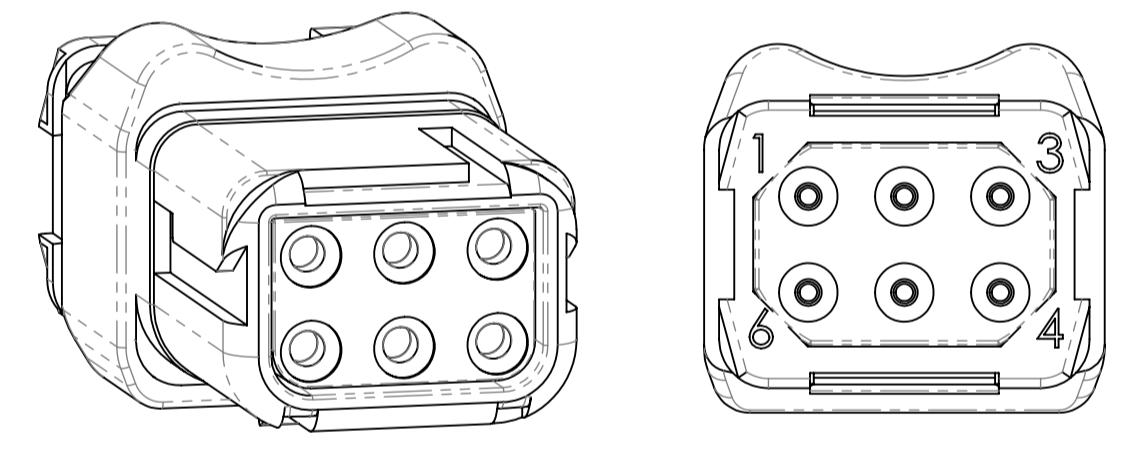
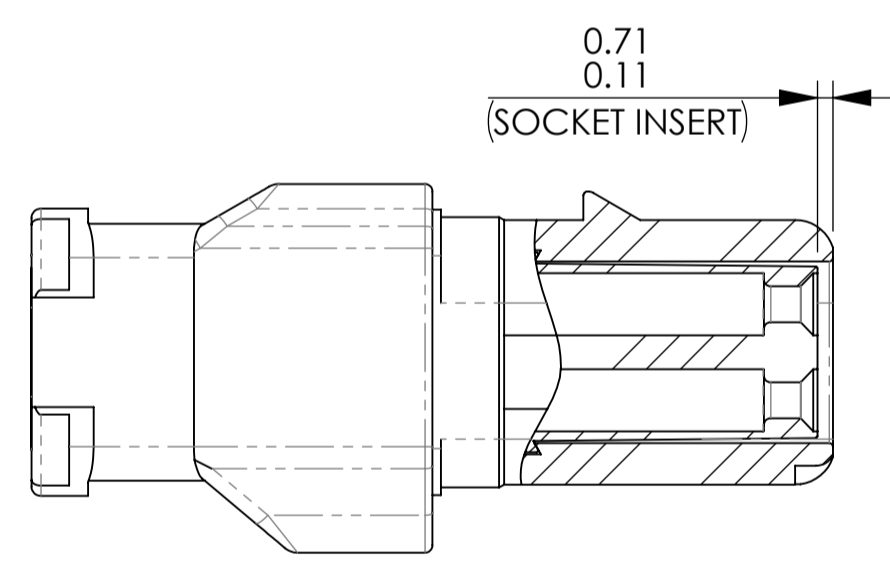
CONTACT POSITION (ID)	CONTACT LOCATION	
	X AXIS (mm)	Y AXIS (mm)
1	-2.54	1.27
2	0	1.27
3	2.54	1.27
4	2.54	-1.27
5	0	-1.27
6	-2.54	-1.27



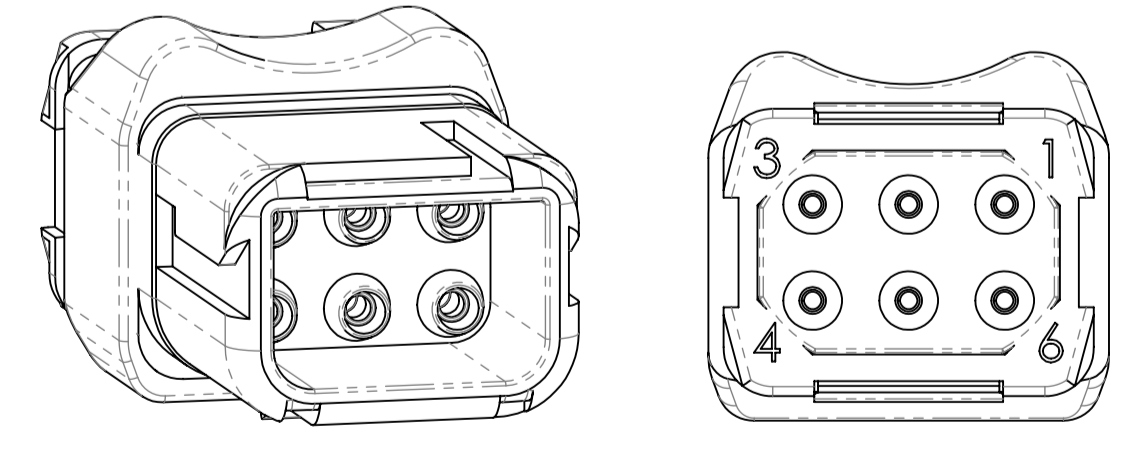
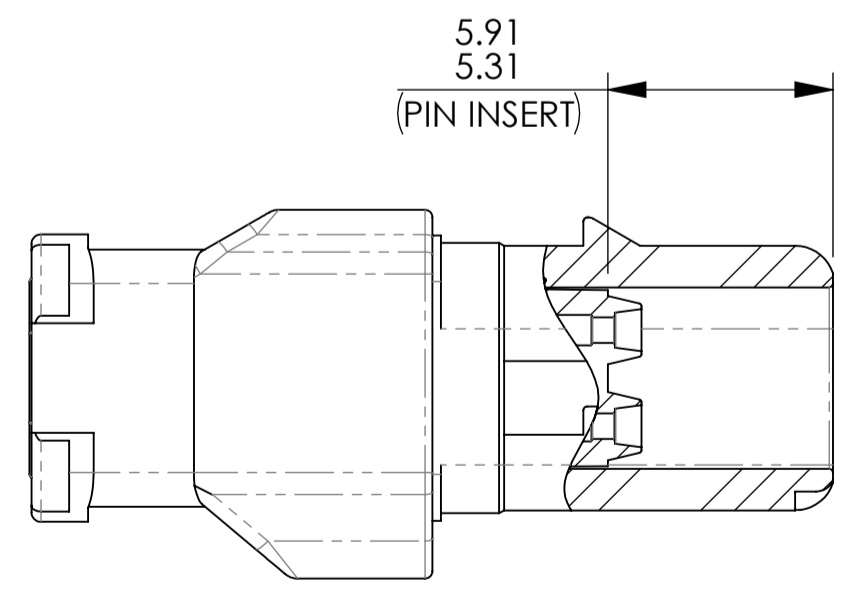
SOCKET / FEMALE CONTACT CAVITY IDENTIFICATION ON REAR



PIN / MALE CONTACT CAVITY IDENTIFICATION ON REAR



SOCKET / FEMALE CONTACT CAVITY IDENTIFICATION ON REAR



PIN / MALE CONTACT CAVITY IDENTIFICATION ON REAR

<b>BS8888</b> THIRD ANGLE PROJECTION	MATERIAL: <b>SEE NOTES</b>	FINISH:	
	TITLE: <b>369 RECEPTACLE CONNECTOR, ENVELOPE DRAWING</b>		
UNLESS OTHERWISE STATED: DIMENSIONS: mm [INCHES]	SIZE: <b>A1</b>	SCALE: <b>5:1</b>	DRAWING NUMBER: <b>612826-ENV</b>
IF IN DOUBT, ASK	SHEET: <b>2 OF 2</b>	ISSUE: <b>AA</b>	DEUTSCH <small>TE CONNECTIVITY UK LTD., ST. LEONARDS-ON-SEA, TN38 9RF, UK</small>

THIS INFORMATION IS CONFIDENTIAL AND PROPRIETARY TO TYCO ELECTRONICS CORPORATION AND ITS WORLDWIDE SUBSIDIARIES AND AFFILIATES (TE). IT MAY NOT BE DISCLOSED TO ANYONE OTHER THAN TE PERSONNEL, WITHOUT AUTHORIZATION FROM TE (www.teccotti.com).