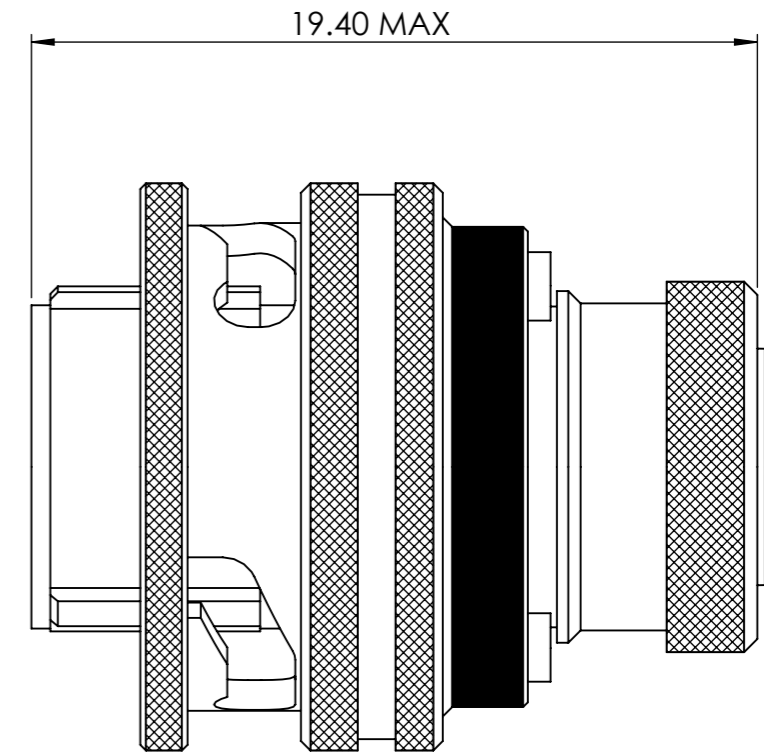
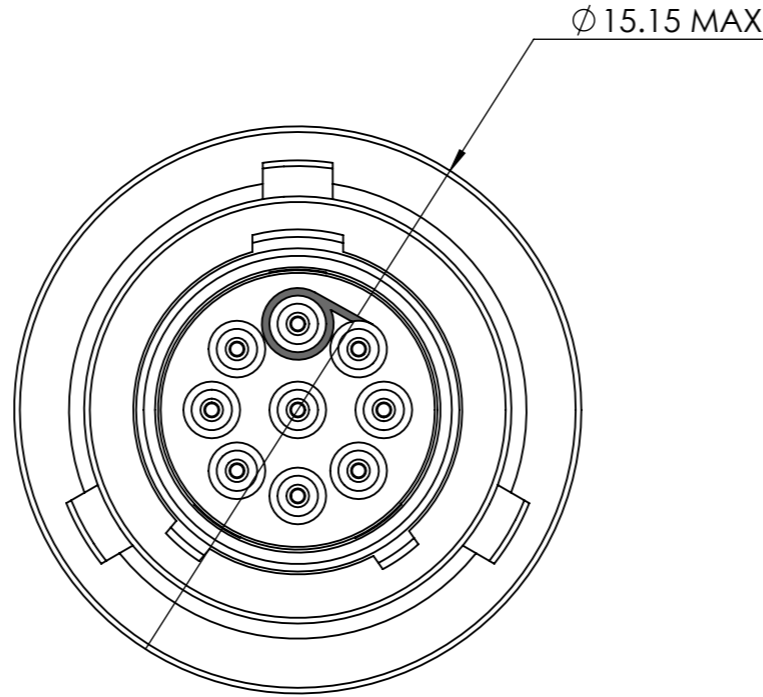
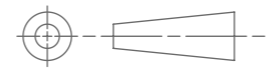


DRAWING NUMBER

605910-ENV

A3

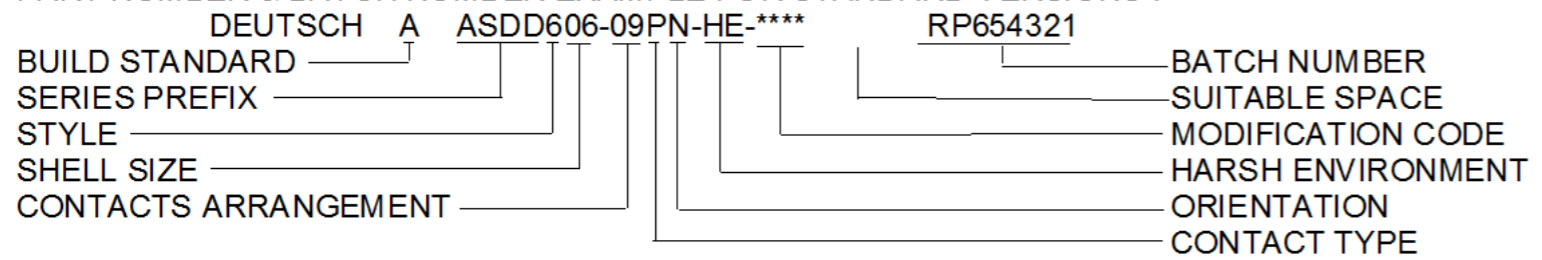
BS 8888
THIRD ANGLE PROJECTION
IF IN DOUBT, ASK




NOTE

- 1. ALL DIMENSIONS ARE FOR REFERENCE ONLY.
- 2. CONNECTOR SHOWN IS PIN VARIANT.

3. PART NUMBER & BATCH NUMBER EXAMPLE FOR STANDARD VERSIONS :-



A	62033	NDL	BJJ	KJF	MDP	07/07/05
ISSUE	CHANGE NOTE	DRAWN	CHECKED	APP. ENG.	APP. MARKT.	DATE

MATERIAL		© THE COPYRIGHT OF THIS DRAWING IS RESERVED BY DEUTSCH UK. IT IS ISSUED ON CONDITION THAT IT IS NOT COPIED, REPRODUCED OR DISCLOSED TO A THIRD PARTY EITHER WHOLLY OR IN PART WITHOUT THE CONSENT IN WRITING OF DEUTSCH UK.	 ST LEONARDS ON SEA, EAST SUSSEX, TN38 9RF TEL. +44 (0)1424 852721
HEAT TREATMENT & FINISH			
PACKAGING			
APP. I.E.D		TITLE	DRAWING NUMBER
SCALE	5:1	PLUG ASSEMBLY ASDD 9-WAY ENVELOPE DETAILS	605910-ENV