

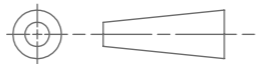
DRAWING NUMBER

605726-ENV

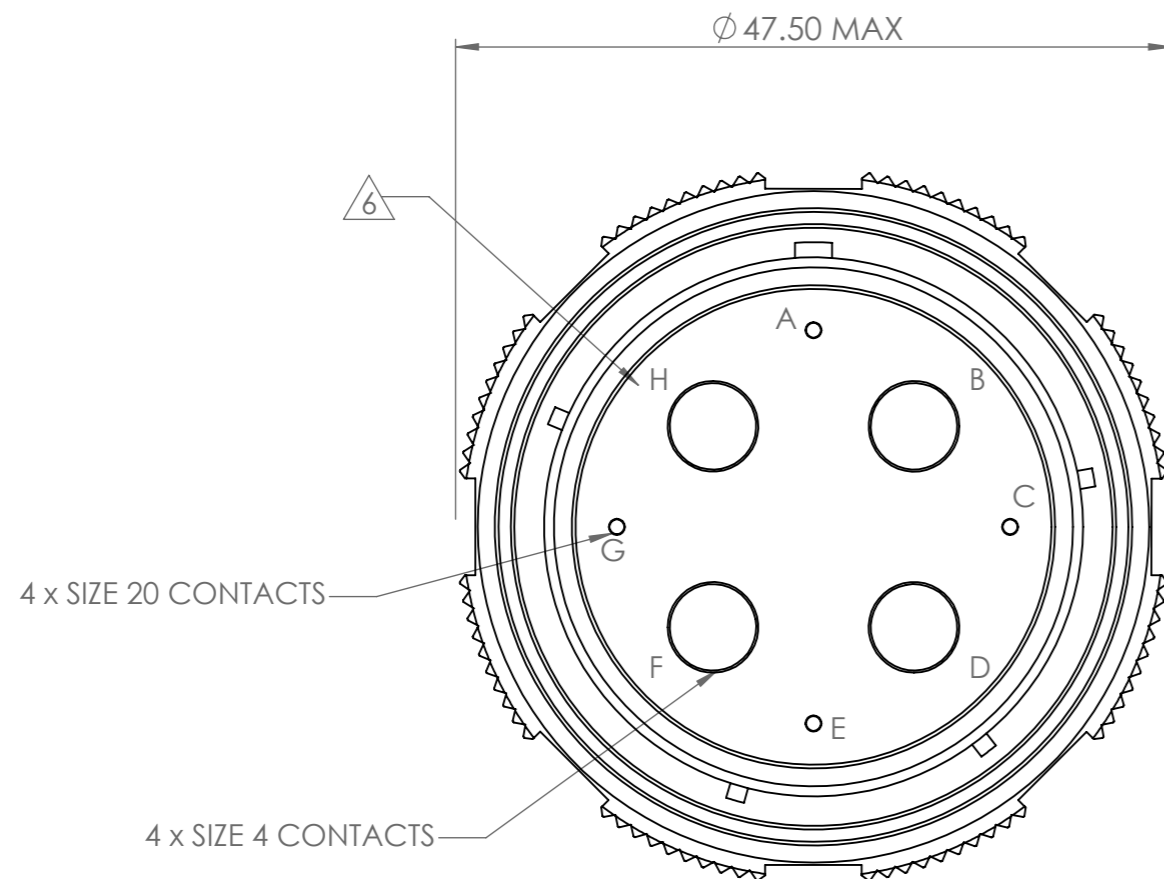
A3

THIRD ANGLE PROJECTION

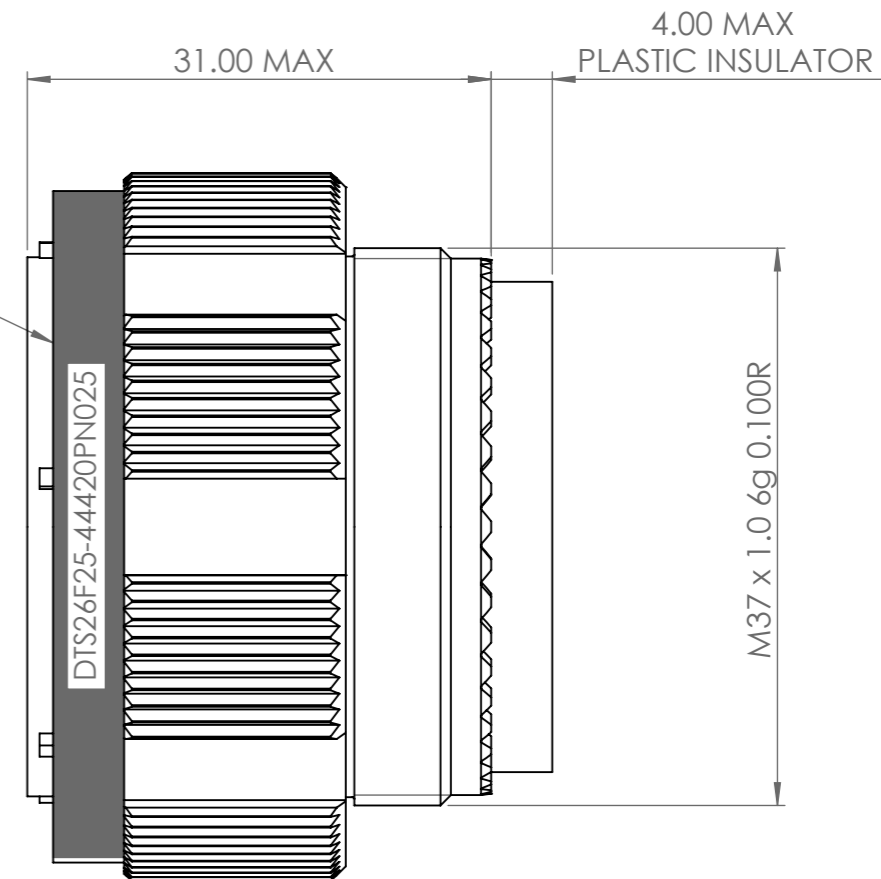
BS 8888



IF IN DOUBT, ASK



PART NO. & DATE CODE MARKED OVER CONTACT REAR RELEASE INDICATOR BAND (BLUE)




NOTES

- PART No. BREAKDOWN EXAMPLE:- H****D DTS 26 F 25 - 44420 S N ***
 - DATE CODE
 - BASIC SERIES
 - SHELL STYLE
 - FINISH
 - W=CAD OLIVE DRAB PLATING F=NICKEL PLATING
 - U=ZINC COBALT PLATING
 - SHELL SIZE
 - POWER CRIMP CODE (SEE NOTE 7)
 - SHELL KEYING: N, A, B, C, D or E
 - CONTACT TYPE: P=PIN. S=SOCKET
 - INSERT ARRANGEMENT - 4 x SIZE 4 CONTACTS
 - 4 x SIZE 20 CONTACTS
- CONNECTOR MATERIALS:-
 - ALUMINIUM ALLOY SHELL PLATED.
 - GOLD PLATED COPPER ALLOY CONTACTS.
 - RESILIENT THERMOPLASTIC INSULATORS.
 - FLUORINATED SILICONE INTERFACIAL SEAL.
- SIZE 20 CONTACT CRIMP BARRELS ARE IN ACCORDANCE WITH AS39029.

NOTES (CONTINUED)

- CONTACT SERVICE RATINGS :-
 - (i) SIZE 4 CONTACT SERVICE RATING (DEPENDANT UPON AMBIENT TEMPERATURE) :- CONTINUOUS CURRENT = 150A (REFER TO FACTORY FOR MORE INFORMATION) FOR APPLICATIONS REQUIRING A CURRENT RATING GREATER THAN 150A REFER TO FACTORY
 - (ii) SIZE 20 CONTACT SERVICE RATING IN ACCORDANCE WITH AS39029.
- TEMPERATURE RATING -65°C TO +175°C. THE UPPER LIMIT IS THE MAXIMUM TEMPERATURE RESULTING FROM A COMBINATION OF AMBIENT TEMPERATURE AND HEATING DUE TO CURRENT.
- CONTACT CAVITY IDENTIFICATION, PIN CLOCKWISE, SOCKET ANTI-CLOCKWISE. PIN VERSION SHOWN ABOVE.
- FOR DETAILS OF POWER CRIMP CODE SELECTION REFER TO DOCUMENT NUMBER 611086.

AA	DUK-65612	WS	NDL	NDL	PP	26/05/2015
ISSUE	CHANGE NOTE	DRAWN	CHECKED	APP. ENG.	APP. MARKETING	DATE

MATERIAL	THIS INFORMATION IS CONFIDENTIAL AND PROPRIETARY TO TYCO ELECTRONICS CORPORATION AND ITS WORLDWIDE SUBSIDIARIES AND AFFILIATES (TE). IT MAY NOT BE DISCLOSED TO ANYONE, OTHER THAN TE PERSONNEL, WITHOUT AUTHORIZATION FROM TE (www.TE.com).	 DEUTSCH ST LEONARDS ON SEA, EAST SUSSEX, TN38 9RF TEL. +44 (0)1424 852721
HEAT TREATMENT & FINISH		
PACKAGING		
TITLE	TYPE DEVELOPMENT DRAWING	DRAWING NUMBER
SCALE	2:1	605726-ENV
DIMENSIONS IN MILLIMETRES UNLESS OTHERWISE STATED		