

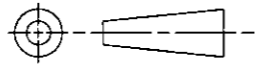
DRAWING NUMBER

605644ENV

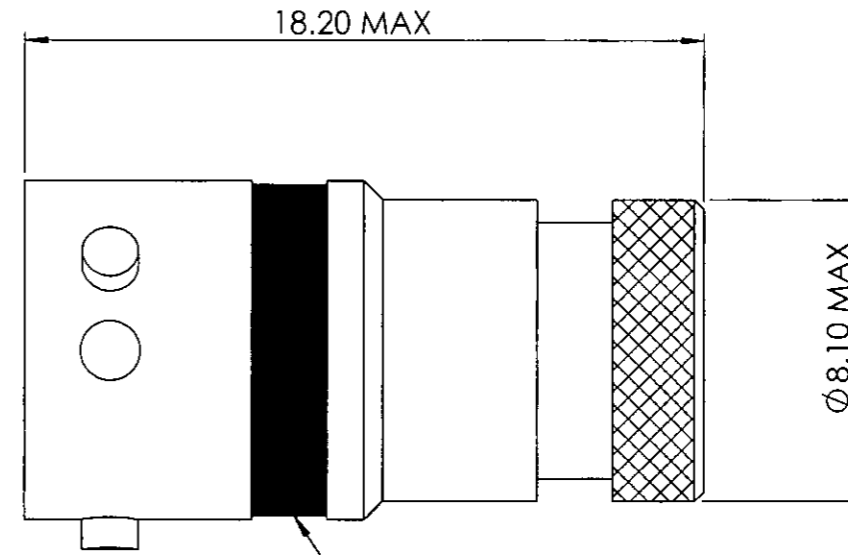
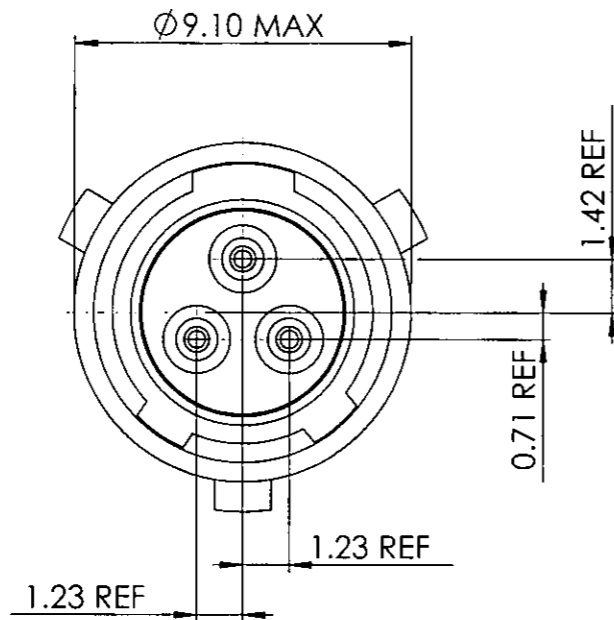
A3

THIRD ANGLE
PROJECTION

BS 308



IF IN DOUBT, ASK

PART NO. & BATCH NO.
MARKED OVER COLOUR BAND.
SEE NOTES 1 & 2.

NOTES

- CONNECTOR ORIENTATION IDENTIFIED BY COLOUR BAND COLOUR APPLIED. AS BELOW.
N ORIENTATION - RED D ORIENTATION - GREEN
A ORIENTATION - YELLOW E ORIENTATION - GREY
B ORIENTATION - BLUE
C ORIENTATION - ORANGE
- PART NUMBER SHORTENED FOR MARKING ONTO CONNECTOR. SEE NOTE 3 FOR FULL PART NUMBER STRUCTURE TO BE USED FOR ORDERING. SEE BELOW FOR SHORTENED PART NO. EXAMPLE :-

DEUTSCH ASU1PN RP654321

SERIES PREFIX
STYLE (INLINE RECEPTACLE)
CONTACT TYPE & ORIENTATION


BATCH NUMBER

NOTES (CONTINUED)

- FULL PART NUMBER STRUCTURE TO BE USED FOR ORDERING. SEE BELOW FOR EXAMPLE :-

ASU103 - 03PN - HE RP654321

SERIES PREFIX
STYLE (INLINE RECEPTACLE)
SHELL SIZEBATCH NUMBER
HARSH ENVIRONMENT
KEYWAY ORIENTATION
CONTACT TYPE
CONTACT ARRANGEMENT

							MATERIAL	<p>© THE COPYRIGHT OF THIS DRAWING IS RESERVED BY DEUTSCH LTD. IT IS ISSUED ON CONDITION THAT IT IS NOT COPIED, REPRODUCED OR DISCLOSED TO A THIRD PARTY EITHER WHOLLY OR IN PART WITHOUT THE CONSENT IN WRITING OF DEUTSCH LTD.</p>	GENERAL TOLERANCES UNLESS OTHERWISE STATED.		 DEUTSCH (A STEP AHEAD IN TECHNOLOGY (LTD)) ST LEONARDS ON SEA, EAST SUSSEX, TN38 9RF TEL. +44 (0)1424 852721	DRAWING NUMBER	
							HEAT TREATMENT & FINISH		±0.4mm ON WHOLE NUMBERS	±0.2mm ON ONE PLACE DECIMALS		TITLE	
							PACKAGING		±0.1mm ON TWO PLACE DECIMALS	±1/2° ON ANGLES		INLINE RECEPTACLE ENVELOPE DETAILS AS 3 WAY	
									±0.05mm ON DRILLED HOLES	ALL DIAMETERS $\text{Ⓢ}\text{Ⓢ}0.10$			
A	CN043549	PJB	<i>[Signature]</i>	<i>[Signature]</i>	27-08-03			REMOVE ALL BURRS AND SHARP EDGES 0.1 MAX. UNLESS OTHERWISE STATED.	DIMENSIONS IN MILLIMETRES UNLESS OTHERWISE STATED				
ISSUE	CHANGE NOTE	DRAWN	CHECKED	APP. ENG.	APP. B.U.	DATE	CUSTOMER APPROVAL	SCALE	5:1				