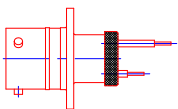
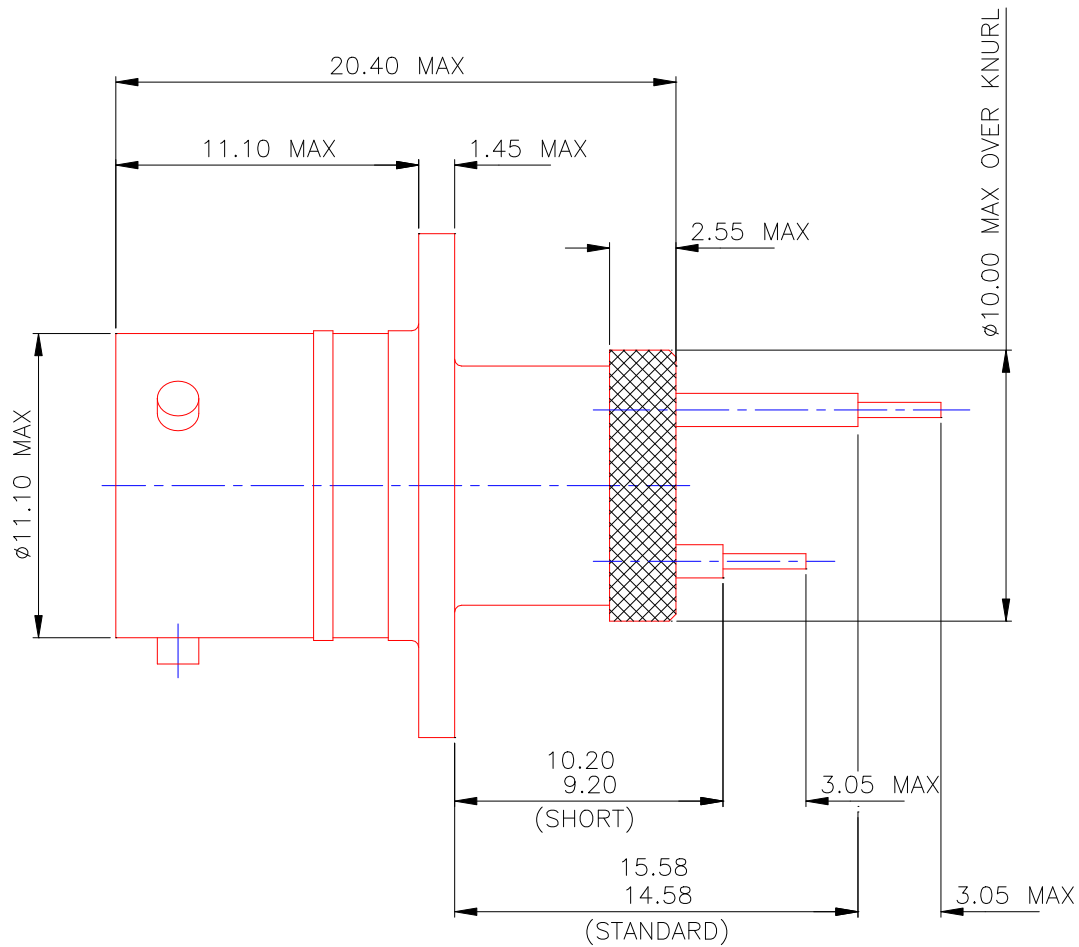
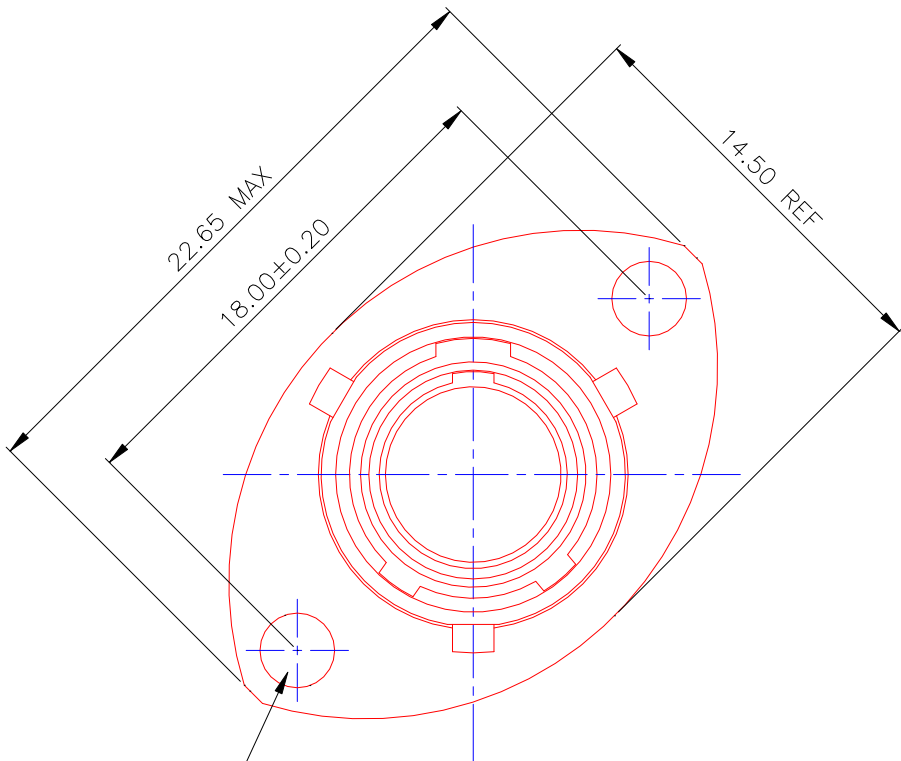
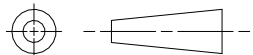


DRAWING NUMBER

604938-PCB-ENV

A3

BS 308  
THIRD ANGLE PROJECTION



ACTUAL SIZE

A	58560	NDL	ADH	KJF	05/05/10				
ISSUE	CHANGE NOTE	DRAWN	CHECKED	APP. ENG.	DATE	APP. IED.			

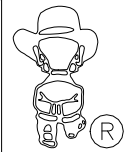
MATERIAL  
-----  
-----

HEAT TREATMENT & FINISH  
-----  
-----

© THE COPYRIGHT OF THIS DRAWING IS RESERVED BY DEUTSCH LTD. IT IS ISSUED ON CONDITION THAT IT IS NOT COPIED, REPRODUCED OR DISCLOSED TO A THIRD PARTY EITHER WHOLLY OR IN PART WITHOUT THE CONSENT IN WRITING OF DEUTSCH LTD.

GENERAL TOLERANCES UNLESS OTHERWISE STATED.  
±0.4mm ON WHOLE NUMBERS  
±0.2mm ON ONE PLACE DECIMALS  
±0.1mm ON TWO PLACE DECIMALS  
±1/2° ON ANGLES  
±0.05mm ON DRILLED HOLES

REMOVE ALL BURRS AND SHARP EDGES 0.1 MAX. UNLESS OTHERWISE STATED.



DEUTSCH LTD

EAST GRINSTEAD, WEST SUSSEX, RH19 1RW TEL:- (01342) 410033

TITLE ASL PCB RECEPTACLE ENVELOPE DETAILS

DRAWING NUMBER 604938-PCB-ENV

SCALE 5:1 DIMS. IN MILLIMETRES